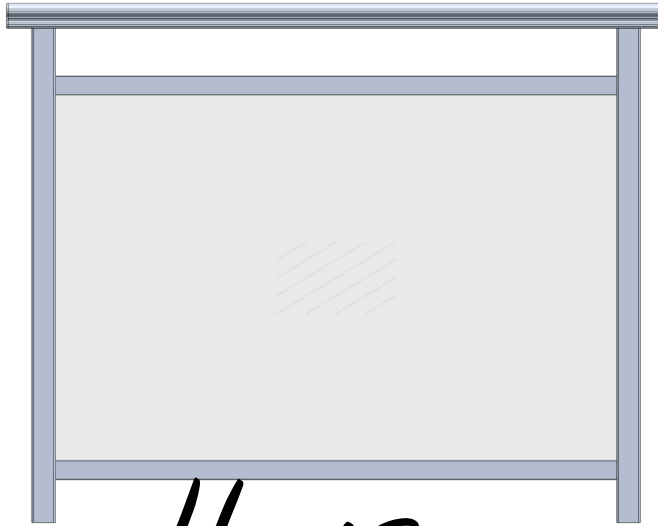


ELEGRA

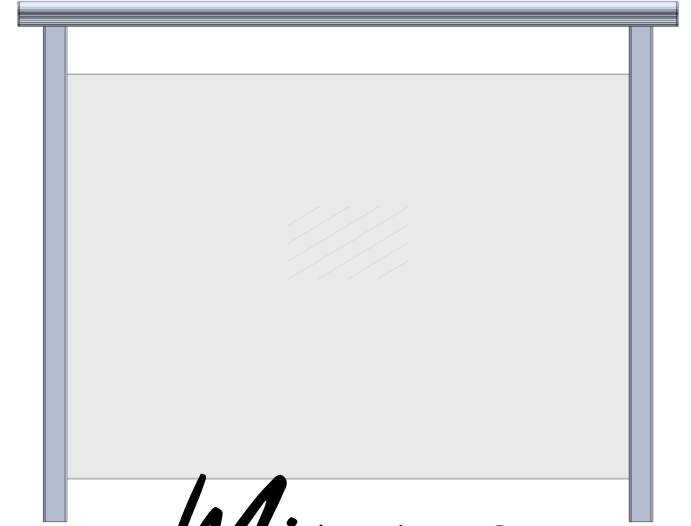
ACME



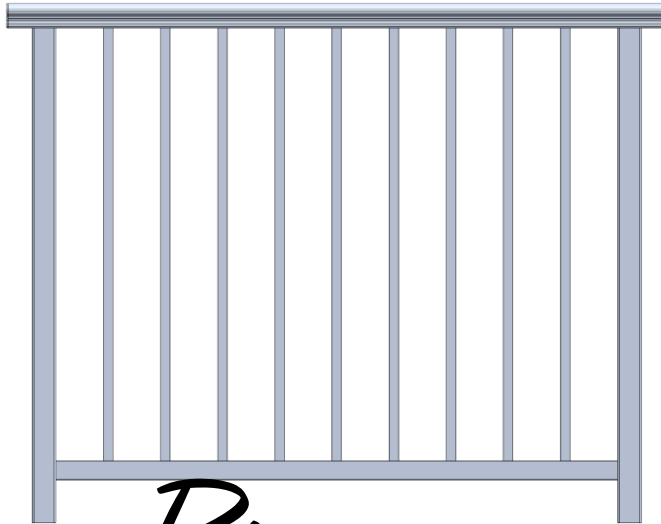
Classic



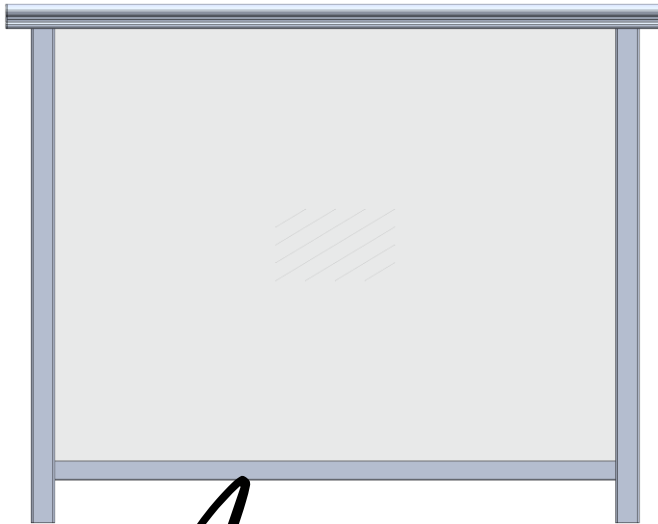
Horizon



Mirage



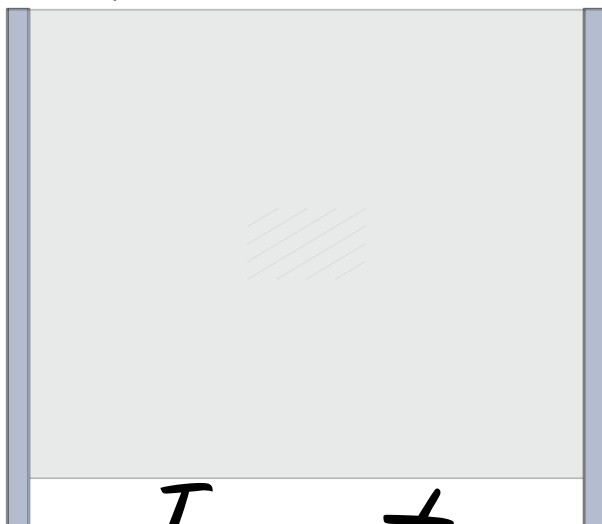
Pioneer



Aurora



Crystal



Infinity



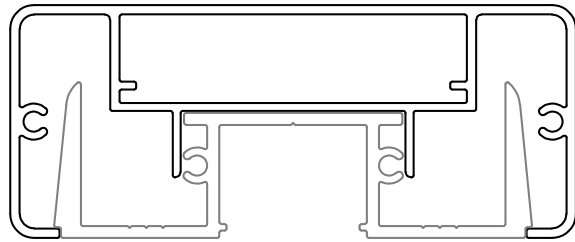
Zenith



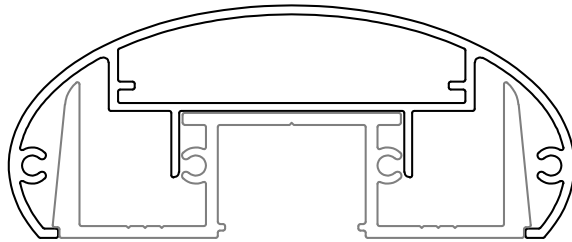
Lumina

ELEGRA

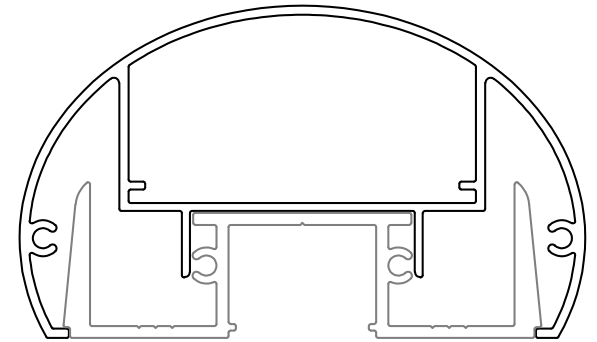
Profile Identification



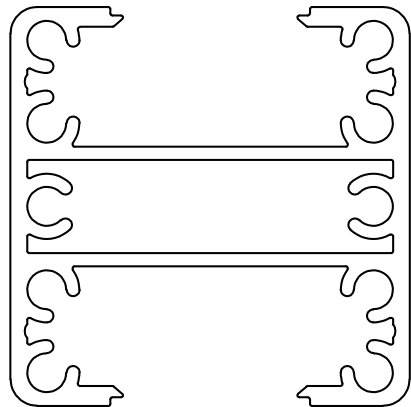
DIE No. TR-B3085 | ELEGRA
FLAT HANDRAIL



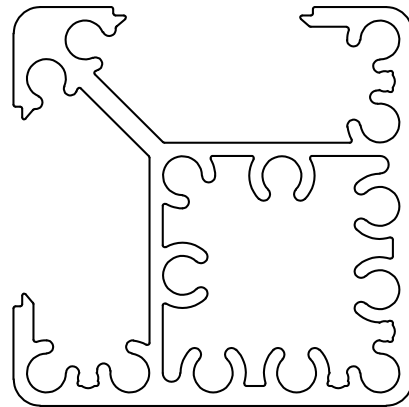
DIE No. TR-E3085 | ELEGRA
ELLIPTICAL HANDRAIL



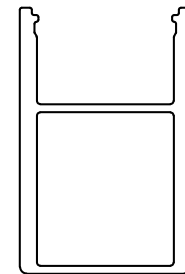
DIE No. TR-R4080 | ELEGRA
ROUNDED HANDRAIL



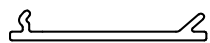
DIE No. ST-S6060 | ELEGRA
STANCHION



DIE No. ST-C6060 | ELEGRA
BALUSTER



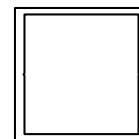
DIE No. HR-C2725 | ELEGRA
HORIZONTAL RAIL



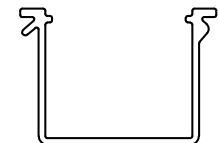
DIE No. ST-C60 | ELEGRA
SIDE CLIP



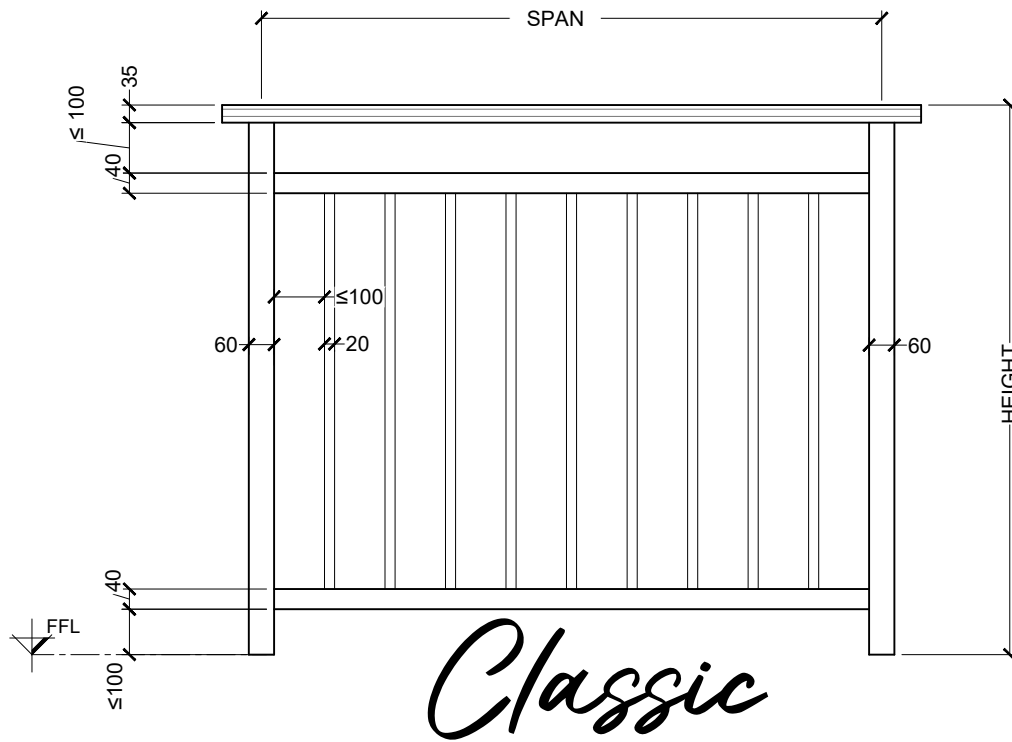
DIE No. BL-C20 | ELEGRA
COVER



DIE No. BL-S20 | ELEGRA
BALUSTER



DIE No. ST-C60G | ELEGRA
GLASS CLIP



TECHNICAL DATA

| | |
|-----------------------|---|
| DESCRIPTION : | ELEGRA CLASSIC FRAMED BALUSTRADE SYSTEM |
| MATERIAL : | ALUMINIUM ALLOY 6061-T6 |
| TYPICAL HEIGHT : | 1000 MM / 1100 MM FROM FFL (REFER TO NZBC F4/AS1) |
| FIXING TYPE OPTIONS : | TOP FIX AND SIDE FIX |

- MIN CONCRETE STRENGTH IS TO BE 25 Mpa
- CONCRETE BOLT MIN EMBEDMENT IS TO BE 120MM
- COACH SCREWS ARE TO BE FIXED INTO 3 MEMBER BEAM WITH MIN EMBEDMENT 135MM

| BASE FIX BALUSTER TABLE - MAX SPAN (m) | | | | | |
|--|-----------|--------|------|-----------|------------|
| MATERIAL | WIND ZONE | | | | |
| | LOW | MEDIUM | HIGH | VERY HIGH | EXTRA HIGH |
| CONCRETE | 2.30 | 2.30 | 2.30 | 2.30 | 2.30 |
| STEEL | 2.30 | 2.30 | 2.30 | 2.30 | 2.30 |
| TIMBER (BOLTED) | 2.30 | 2.30 | 2.30 | 2.30 | 2.30 |
| TIMBER (COACH SCREW) | 0.80 | 0.80 | 0.80 | 0.80 | - |

| SIDE FIX BALUSTER TABLE - MAX SPAN (m) | | | | | |
|--|-----------|--------|------|-----------|------------|
| MATERIAL | WIND ZONE | | | | |
| | LOW | MEDIUM | HIGH | VERY HIGH | EXTRA HIGH |
| CONCRETE | 2.30 | 2.30 | 2.30 | 2.30 | 2.30 |
| STEEL | 2.30 | 2.30 | 2.30 | 2.30 | 2.30 |
| TIMBER (BOLTED) | 1.20 | 1.20 | 1.20 | 1.20 | 1.20 |
| TIMBER (COACH SCREW) | 0.70 | 0.70 | 0.70 | 0.70 | 0.70 |



ACMF - SOLAR EDGE
 PO BOX 101 760 NORTH SHORE 0745
 TEL: 09 214 3236 FAX: 09 444 2142
 68 ELLICE ROAD, GLENFIELD

ELEGRA *Pioneer*
CLASSIC FRAMED BALUSTRADE SYSTEM

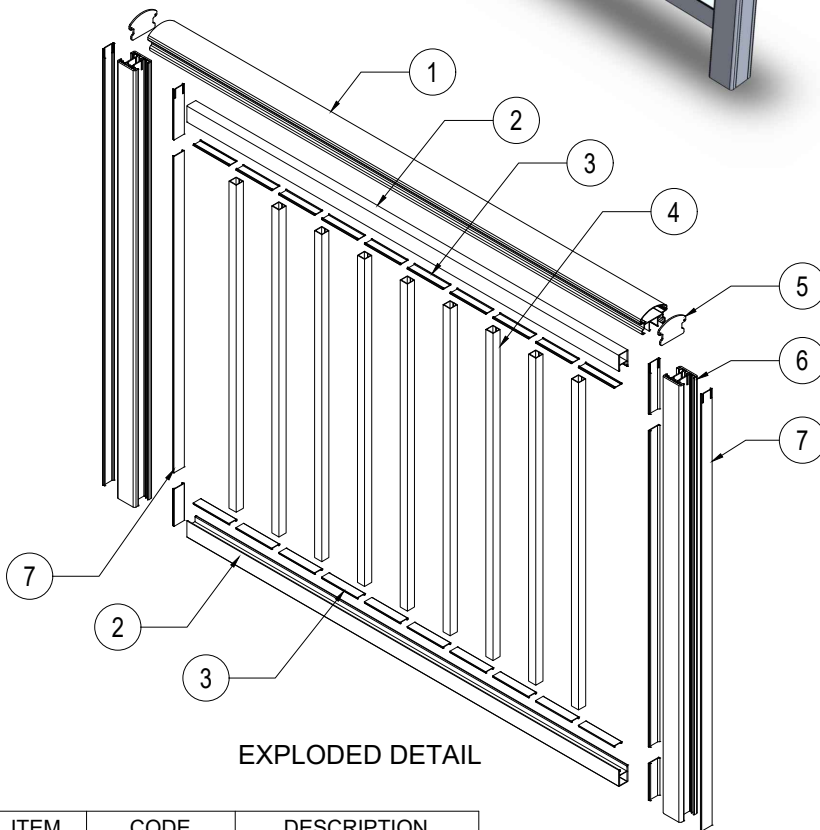
Copyright - ACMF No part of this document may be reproduced, stored in a retrieval system in any form or transmitted by any means without prior permission in writing of ACMF. All discrepancies shall be referred to ACMF immediately.

DATE : 10/11/2025

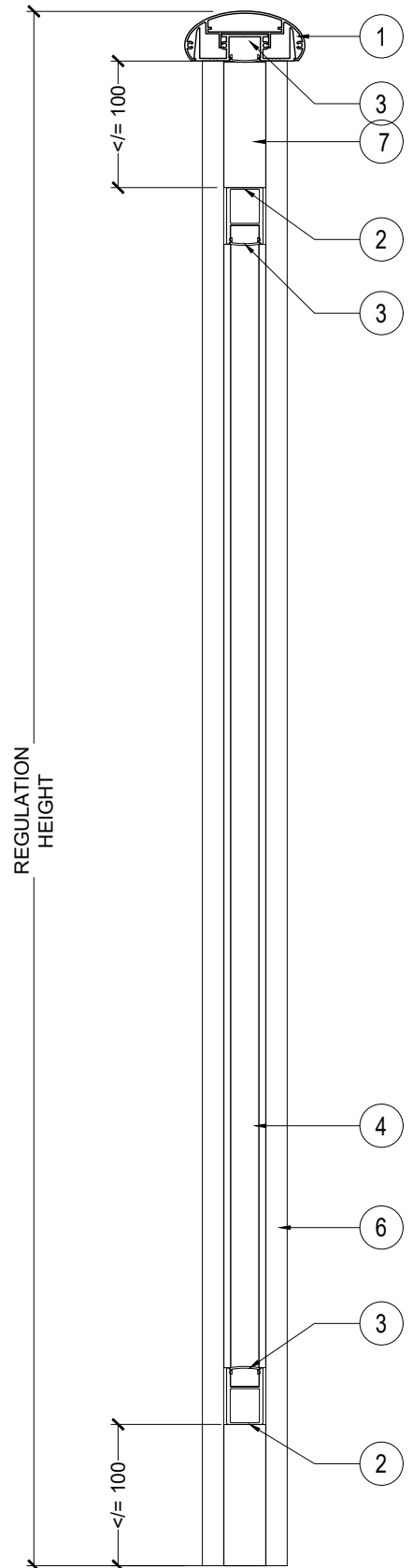
SCALE : NTS



3D VIEW



EXPLODED DETAIL



REGULATION HEIGHT

SECTION DETAIL

| ITEM | CODE | DESCRIPTION |
|------|----------|-----------------|
| 1 | TR-E3585 | HAND RAIL |
| 2 | HR-C2725 | HORIZONTAL RAIL |
| 3 | BL-C20 | COVER |
| 4 | BL-S20 | BALUSTERS |
| 5 | | END CAP |
| 6 | ST-S6060 | STANCHION |
| 7 | ST-C60 | SIDE COVER |



ACMF - SOLAR EDGE
 PO BOX 101 760 NORTH SHORE 0745
 TEL: 09 214 3236 FAX: 09 444 2142
 68 ELLICE ROAD, GLENFIELD

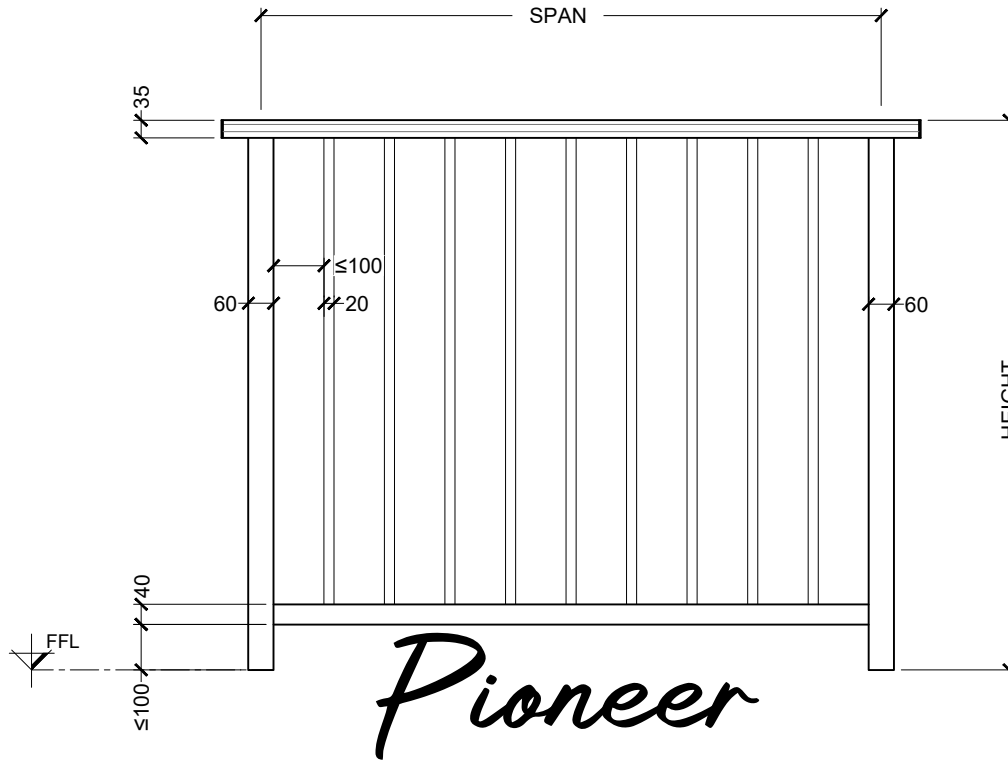


CLASSIC FRAMED BALUSTRADE SYSTEM

Copyright - ACMF No part of this document may be reproduced, stored in a retrieval system in any form or transmitted by any means without prior permission in writing of ACMF. All discrepancies shall be referred to ACMF immediately.

DATE : 05/09/2024

SCALE : NTS



TECHNICAL DATA

| | |
|-----------------------|---|
| DESCRIPTION : | ELEGRA PIONEER FRAMED BALUSTRADE SYSTEM |
| MATERIAL : | ALUMINIUM ALLOY 6061-T6 |
| TYPICAL HEIGHT : | 1000 MM / 1100 MM FROM FFL (REFER TO NZBC F4/AS1) |
| FIXING TYPE OPTIONS : | TOP FIX AND SIDE FIX |

- MIN CONCRETE STRENGTH IS TO BE 25 Mpa
- CONCRETE BOLT MIN EMBEDMENT IS TO BE 120MM
- COACH SCREWS ARE TO BE FIXED INTO 3 MEMBER BEAM WITH MIN EMBEDMENT 135MM

| BASE FIX BALUSTER TABLE - MAX SPAN (m) | | | | | |
|--|-----------|--------|------|-----------|------------|
| MATERIAL | WIND ZONE | | | | |
| | LOW | MEDIUM | HIGH | VERY HIGH | EXTRA HIGH |
| CONCRETE | 2.30 | 2.30 | 2.30 | 2.30 | 2.30 |
| STEEL | 2.30 | 2.30 | 2.30 | 2.30 | 2.30 |
| TIMBER (BOLTED) | 2.30 | 2.30 | 2.30 | 2.30 | 2.30 |
| TIMBER (COACH SCREW) | 0.80 | 0.80 | 0.80 | 0.80 | - |

| SIDE FIX BALUSTER TABLE - MAX SPAN (m) | | | | | |
|--|-----------|--------|------|-----------|------------|
| MATERIAL | WIND ZONE | | | | |
| | LOW | MEDIUM | HIGH | VERY HIGH | EXTRA HIGH |
| CONCRETE | 2.30 | 2.30 | 2.30 | 2.30 | 2.30 |
| STEEL | 2.30 | 2.30 | 2.30 | 2.30 | 2.30 |
| TIMBER (BOLTED) | 1.20 | 1.20 | 1.20 | 1.20 | 1.20 |
| TIMBER (COACH SCREW) | 0.70 | 0.70 | 0.70 | 0.70 | 0.70 |



ACMF - SOLAR EDGE
PO BOX 101 760 NORTH SHORE 0745
TEL: 09 214 3236 FAX: 09 444 2142
68 ELLICE ROAD, GLENFIELD



PIONEER FRAMED BALUSTRADE SYSTEM

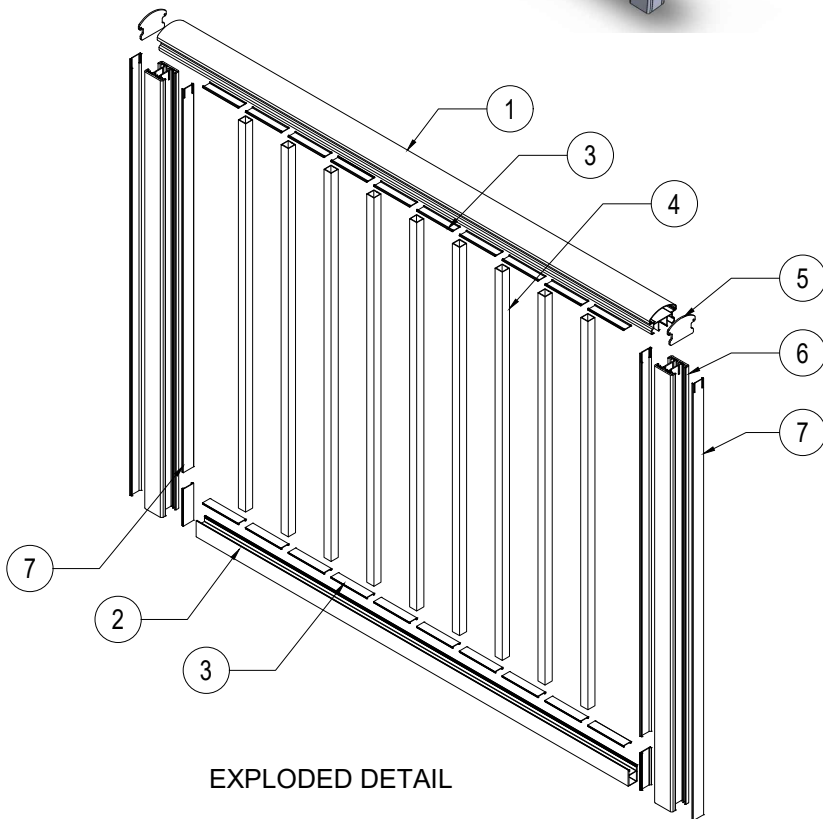
Copyright - ACMF No part of this document may be reproduced, stored in a retrieval system in any form or transmitted by any means without prior permission in writing of ACMF. All discrepancies shall be referred to ACMF immediately.

DATE : 05/09/2024

SCALE : NTS

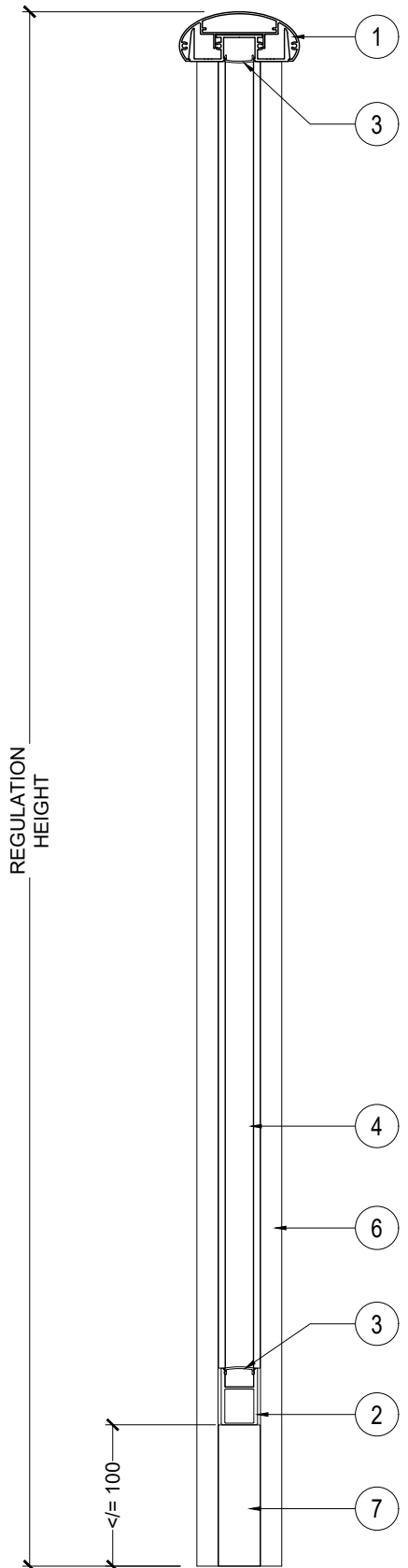


3D VIEW



EXPLODED DETAIL

| ITEM | CODE | DESCRIPTION |
|------|----------|-----------------|
| 1 | TR-E3585 | HAND RAIL |
| 2 | HR-C2725 | HORIZONTAL RAIL |
| 3 | BL-C20 | COVER |
| 4 | BL-S20 | BALUSTERS |
| 5 | | END CAP |
| 6 | ST-S6060 | STANCHION |
| 7 | ST-C60 | SIDE COVER |



REGULATION
HEIGHT

SECTION DETAIL



ACMF - SOLAR EDGE
PO BOX 101 760 NORTH SHORE 0745
TEL: 09 214 3236 FAX: 09 444 2142
68 ELLICE ROAD, GLENFIELD

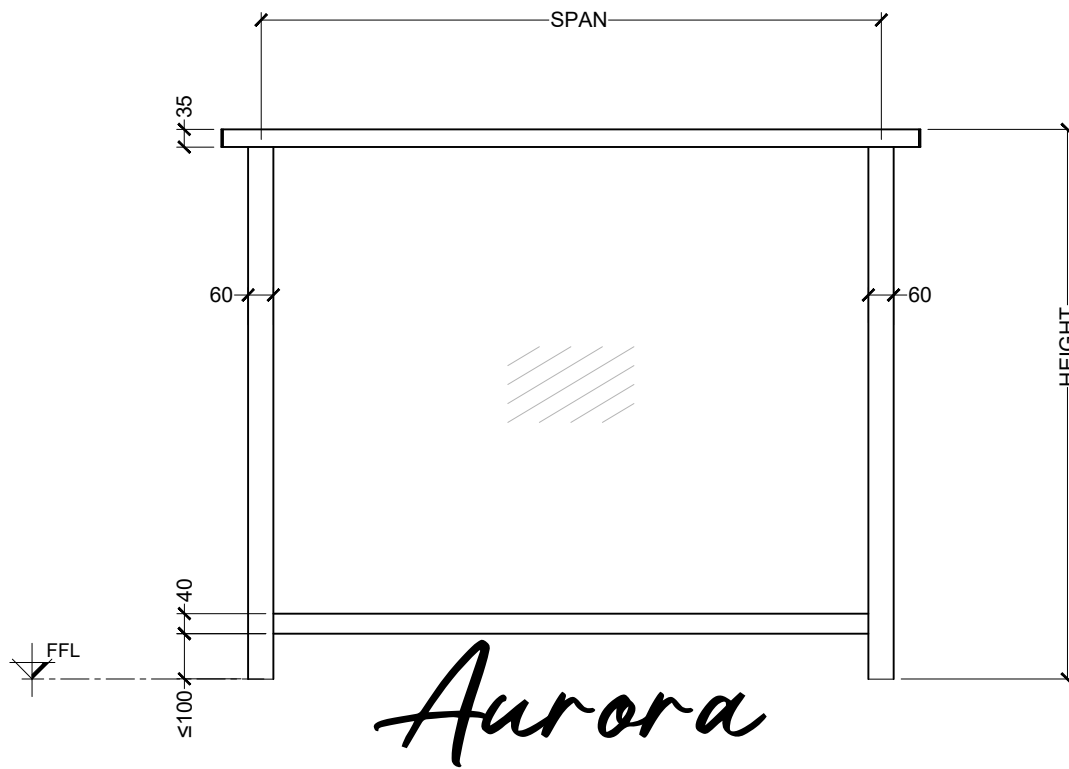


PIONEER FRAMED BALUSTRADE SYSTEM

Copyright - ACMF No part of this document may be reproduced, stored in a retrieval system in any form or transmitted by any means without prior permission in writing of ACMF. All discrepancies shall be referred to ACMF immediately.

DATE : 05/09/2024

SCALE : NTS



TECHNICAL DATA

| | |
|-----------------------|--|
| DESCRIPTION : | ELEGRA AURORA SEMI-FRAMELESS BALUSTRADE SYSTEM |
| MATERIAL : | ALUMINIUM ALLOY OR 6061-T6 |
| TYPICAL HEIGHT : | 1000 MM / 1100 MM FROM FFL (REFER TO NZS 4223.3) |
| FIXING TYPE OPTIONS : | TOP FIX AND SIDE FIX |

- MIN CONCRETE STRENGTH IS TO BE 25 Mpa
- CONCRETE BOLT MIN EMBEDMENT IS TO BE 120MM
- COACH SCREWS ARE TO BE FIXED INTO 3 MEMBER BEAM WITH MIN EMBEDMENT 135MM

| BASE FIX GLASS TABLE - MAX SPAN (m) | | | | | |
|-------------------------------------|-----------|--------|------|-----------|------------|
| MATERIAL | WIND ZONE | | | | |
| | LOW | MEDIUM | HIGH | VERY HIGH | EXTRA HIGH |
| CONCRETE | 2.30 | 2.30 | 2.30 | 2.30 | 2.20 |
| STEEL | 2.30 | 2.30 | 2.30 | 2.30 | 2.00 |
| TIMBER (BOLTED) | 2.30 | 2.30 | 2.30 | 2.30 | 1.90 |
| TIMBER (COACH SCREW) | 0.80 | 0.80 | - | - | - |

| SIDE FIX GLASS TABLE - MAX SPAN (m) | | | | | |
|-------------------------------------|-----------|--------|------|-----------|------------|
| MATERIAL | WIND ZONE | | | | |
| | LOW | MEDIUM | HIGH | VERY HIGH | EXTRA HIGH |
| CONCRETE | 2.30 | 2.30 | 2.30 | 2.00 | 1.60 |
| STEEL | 2.30 | 2.30 | 2.30 | 2.30 | 2.00 |
| TIMBER (BOLTED) | 1.20 | 1.20 | 1.20 | 1.20 | 1.00 |
| TIMBER (COACH SCREW) | 0.70 | 0.70 | - | - | - |

MAXIMUM GLASS SPAN (MM)

| OCCUPANCY | LAMINATED SAFETY GLASS | | | | TOUGHENED SG | | TLSG |
|-----------|------------------------|------|-------------|------|--------------|------------|------------|
| | 6 | 8 | 10 and over | 12 | 6 | 8 and over | 8 and over |
| C3 | - | 1150 | 1200 | 1200 | 1100 | 1200 | 1200 |

NOTE: GLASS SPAN IS THE SMALLER DIMENSION OF THE HEIGHT OR WIDTH



ACMF - SOLAR EDGE
PO BOX 101 760 NORTH SHORE 0745
TEL: 09 214 3236 FAX: 09 444 2142
68 ELLICE ROAD, GLENFIELD



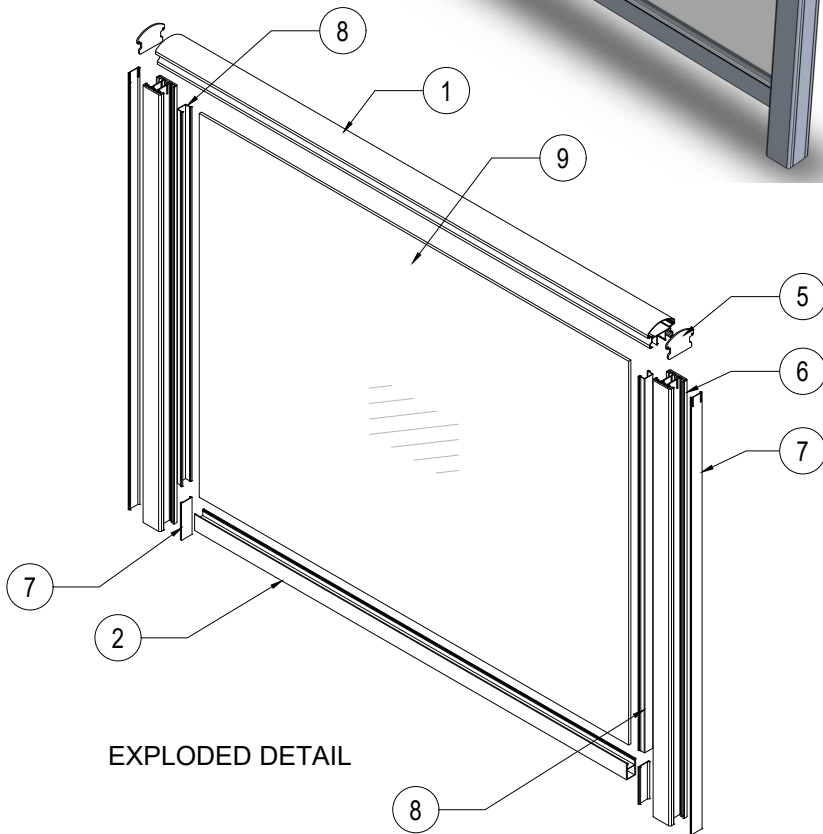
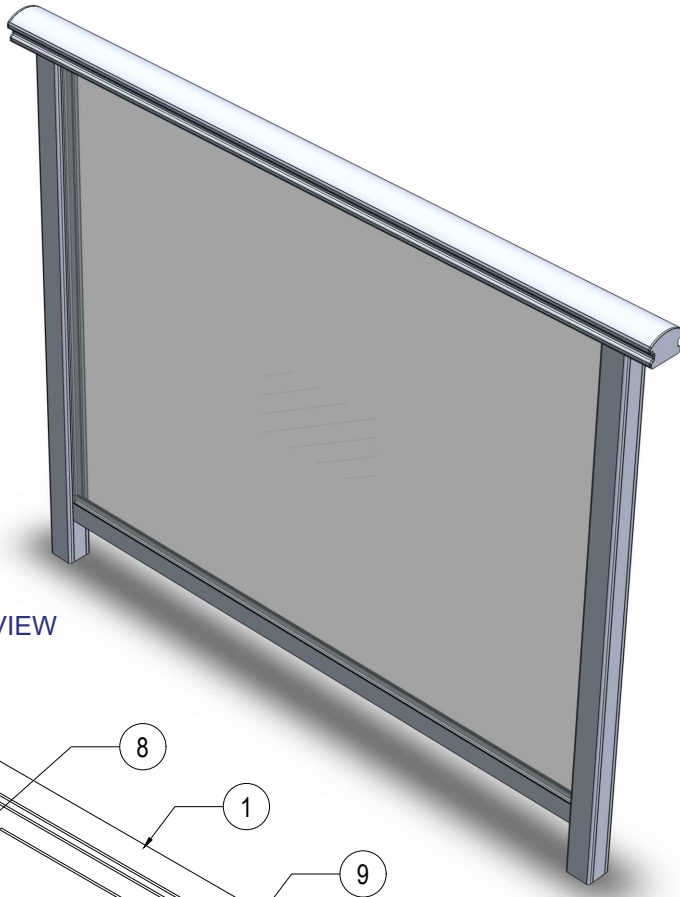
AURORA SEMI-FRAMELESS BALUSTRADE SYSTEM

Copyright - ACMF No part of this document may be reproduced, stored in a retrieval system in any form or transmitted by any means without prior permission in writing of ACMF. All discrepancies shall be referred to ACMF immediately.

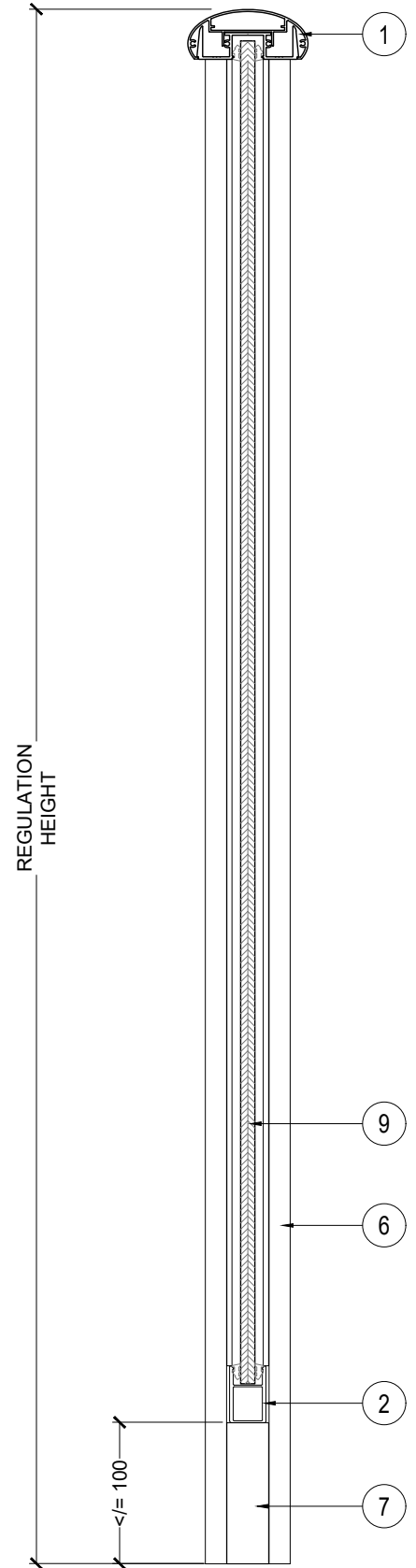
DATE : 10/11/2025

SCALE : NTS

3D VIEW



EXPLODED DETAIL



REGULATION HEIGHT

SECTION DETAIL

| ITEM | CODE | DESCRIPTION |
|------|----------|-----------------|
| 1 | TR-E3585 | HAND RAIL |
| 2 | HR-C2725 | HORIZONTAL RAIL |
| 3 | BL-C20 | COVER |
| 4 | BL-S20 | BALUSTERS |
| 5 | | END CAP |
| 6 | ST-S6060 | STANCHION |
| 7 | ST-C60 | SIDE COVER |
| 8 | ST-C60G | GLASS CLIP |
| 9 | | GLASS |



ACMF - SOLAR EDGE
 PO BOX 101 760 NORTH SHORE 0745
 TEL: 09 214 3236 FAX: 09 444 2142
 68 ELLICE ROAD, GLENFIELD

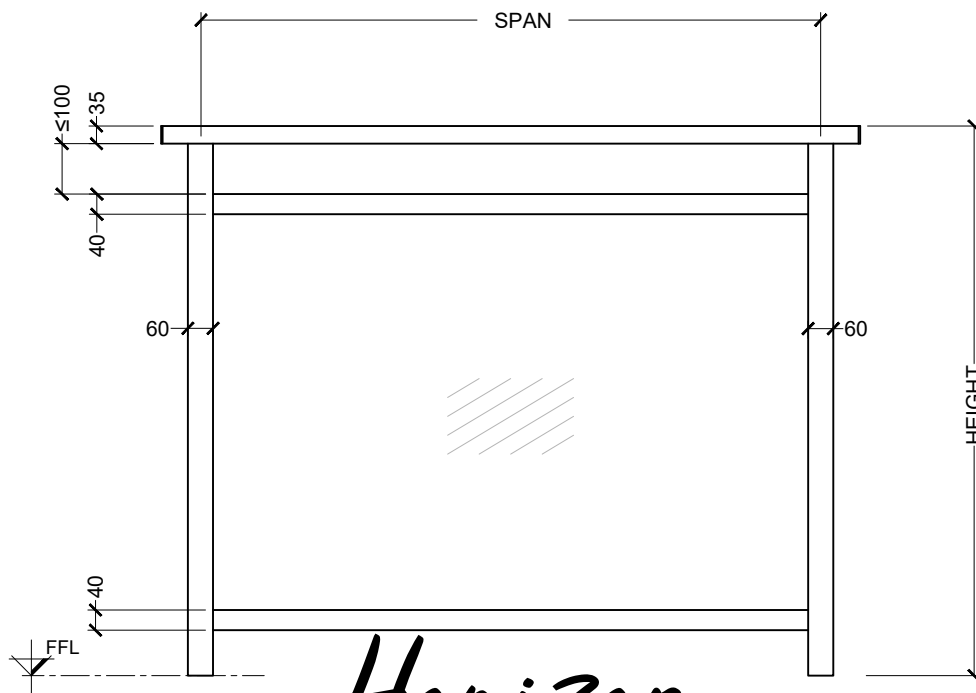


AURORA SEMI-FRAMELESS BALUSTRADE SYSTEM

Copyright - ACMF No part of this document may be reproduced, stored in a retrieval system in any form or transmitted by any means without prior permission in writing of ACMF. All discrepancies shall be referred to ACMF immediately.

DATE : 05/09/2024

SCALE : NTS



Horizon

TECHNICAL DATA

| | |
|-----------------------|--|
| DESCRIPTION : | ELEGRA HORIZON SEMI-FRAMELESS BALUSTRADE SYSTEM |
| MATERIAL : | ALUMINIUM ALLOY 6061-T6 |
| TYPICAL HEIGHT : | 1000 MM / 1100 MM FROM FFL (REFER TO NZS 4223.3) |
| FIXING TYPE OPTIONS : | TOP FIX AND SIDE FIX |

- MIN CONCRETE STRENGTH IS TO BE 25 Mpa
- CONCRETE BOLT MIN EMBEDMENT IS TO BE 120MM
- COACH SCREWS ARE TO BE FIXED INTO 3 MEMBER BEAM WITH MIN EMBEDMENT 135MM

| BASE FIX GLASS TABLE - MAX SPAN (m) | | | | | |
|-------------------------------------|-----------|--------|------|-----------|------------|
| MATERIAL | WIND ZONE | | | | |
| | LOW | MEDIUM | HIGH | VERY HIGH | EXTRA HIGH |
| CONCRETE | 2.30 | 2.30 | 2.30 | 2.30 | 2.20 |
| STEEL | 2.30 | 2.30 | 2.30 | 2.30 | 2.00 |
| TIMBER (BOLTED) | 2.30 | 2.30 | 2.30 | 2.30 | 1.90 |
| TIMBER (COACH SCREW) | 0.80 | 0.80 | - | - | - |

| SIDE FIX GLASS TABLE - MAX SPAN (m) | | | | | |
|-------------------------------------|-----------|--------|------|-----------|------------|
| MATERIAL | WIND ZONE | | | | |
| | LOW | MEDIUM | HIGH | VERY HIGH | EXTRA HIGH |
| CONCRETE | 2.30 | 2.30 | 2.30 | 2.00 | 1.60 |
| STEEL | 2.30 | 2.30 | 2.30 | 2.30 | 2.00 |
| TIMBER (BOLTED) | 1.20 | 1.20 | 1.20 | 1.20 | 1.00 |
| TIMBER (COACH SCREW) | 0.70 | 0.70 | - | - | - |

MAXIMUM GLASS SPAN (MM)

| OCCUPANCY | LAMINATED SAFETY GLASS | | | | TOUGHENED SG | | TLSG |
|-----------|------------------------|------|------|------|--------------|------------|------------|
| | 6 | 8 | 10 | 12 | 6 | 8 and over | 8 and over |
| C3 | - | 1150 | 1200 | 1200 | 1100 | 1200 | 1200 |

NOTE: GLASS SPAN IS THE SMALLER DIMENSION OF THE HEIGHT OR WIDTH



ACMF - SOLAR EDGE
PO BOX 101 760 NORTH SHORE 0745
TEL: 09 214 3236 FAX: 09 444 2142
68 ELLICE ROAD, GLENFIELD

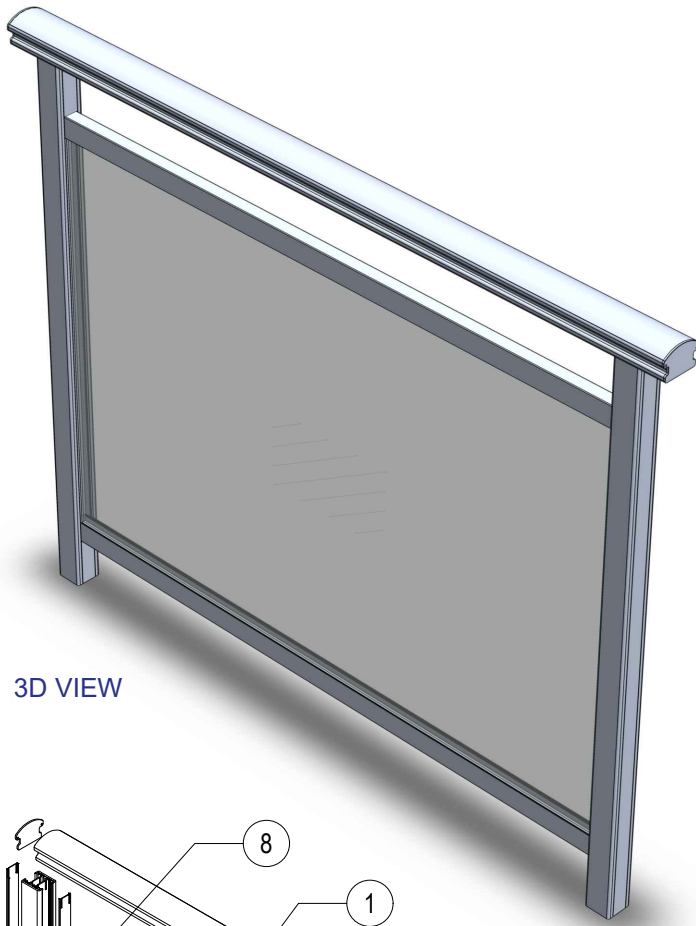


HORIZON SEMI-FRAMELESS BALUSTRADE SYSTEM

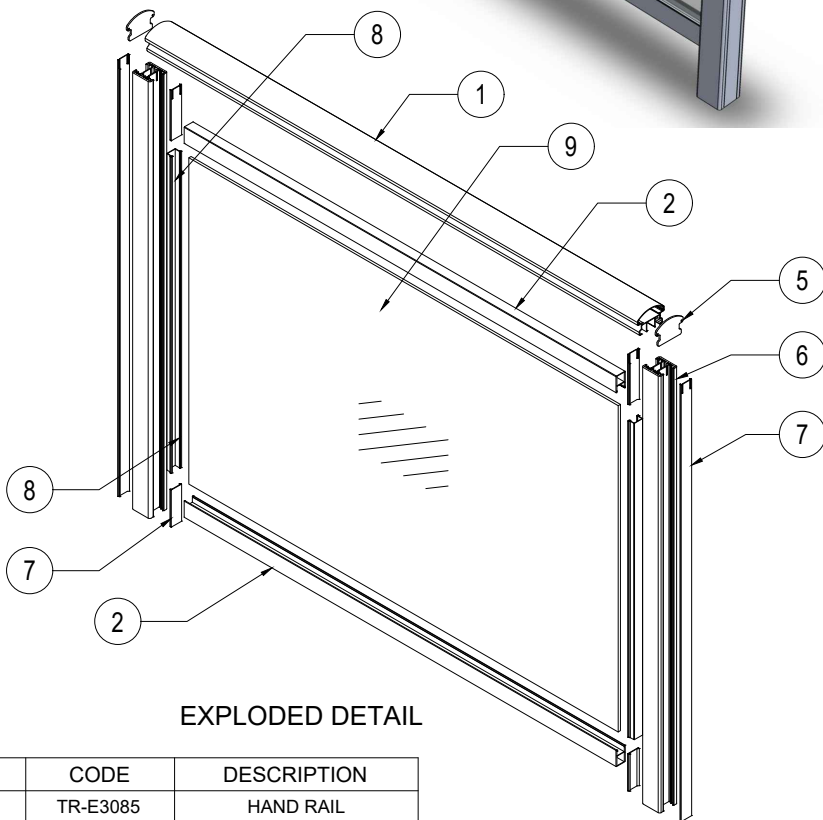
Copyright - ACMF No part of this document may be reproduced, stored in a retrieval system in any form or transmitted by any means without prior permission in writing of ACMF. All discrepancies shall be referred to ACMF immediately.

DATE : 05/09/2024

SCALE : NTS

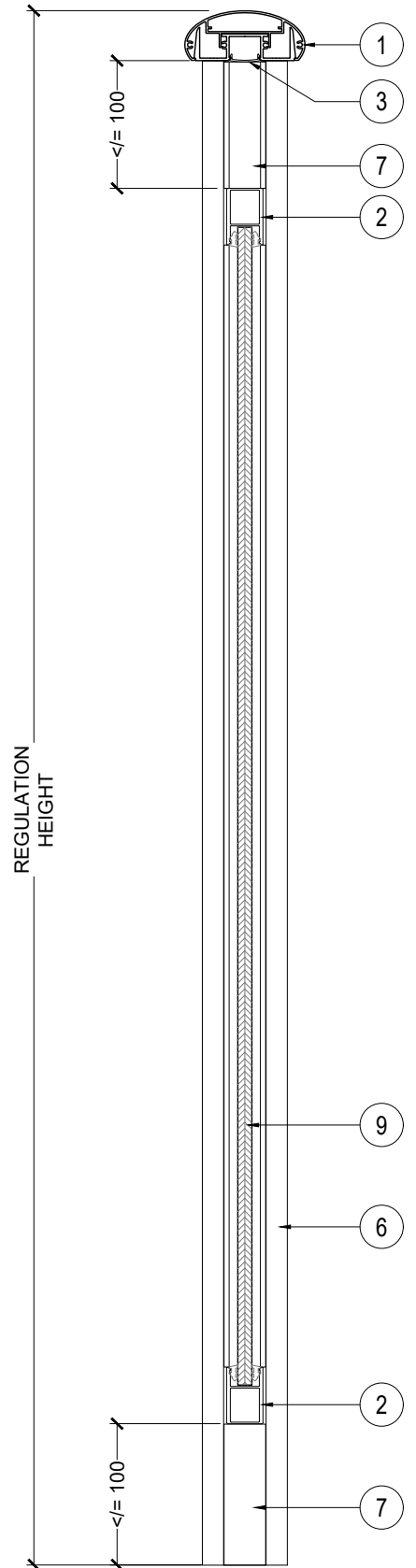


3D VIEW



EXPLODED DETAIL

| ITEM | CODE | DESCRIPTION |
|------|----------|-----------------|
| 1 | TR-E3085 | HAND RAIL |
| 2 | HR-C2725 | HORIZONTAL RAIL |
| 3 | BL-C20 | COVER |
| 4 | BL-S20 | BALUSTERS |
| 5 | | END CAP |
| 6 | ST-S6060 | STANCHION |
| 7 | ST-C60 | SIDE COVER |
| 8 | ST-C60G | GLASS CLIP |
| 9 | | GLASS |



SECTION DETAIL



ACMF - SOLAR EDGE
 PO BOX 101 760 NORTH SHORE 0745
 TEL: 09 214 3236 FAX: 09 444 2142
 68 ELLICE ROAD, GLENFIELD

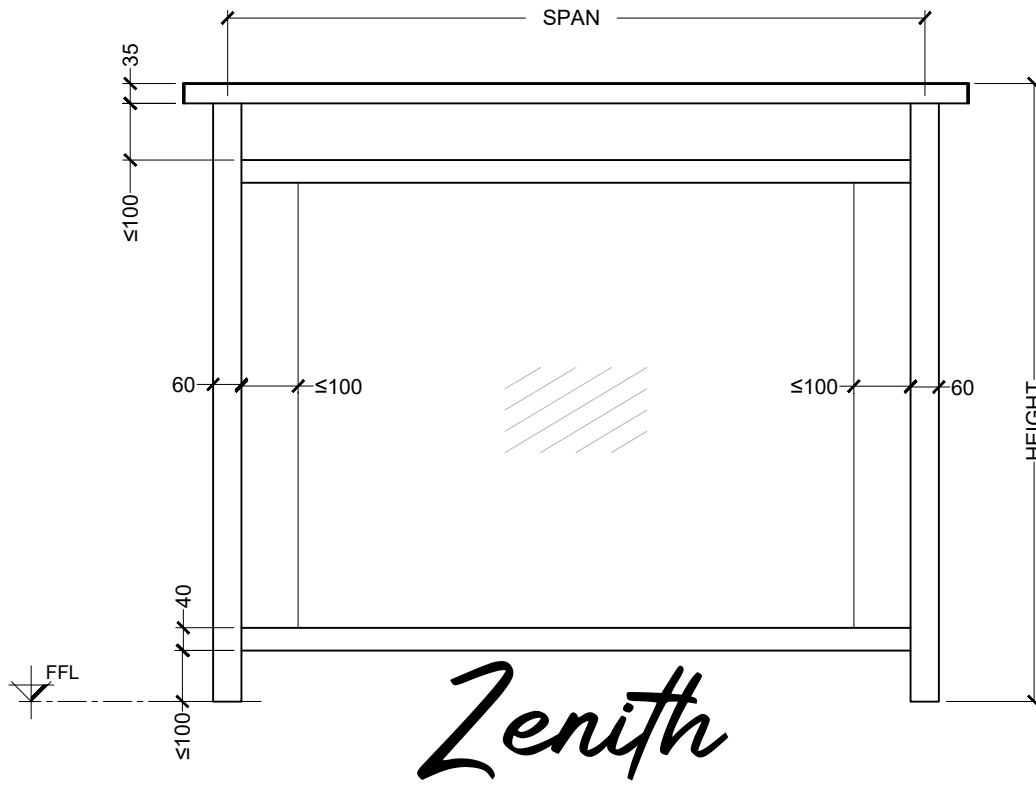


HORIZON SEMI-FRAMELESS BALUSTRADE SYSTEM

Copyright - ACMF No part of this document may be reproduced, stored in a retrieval system in any form or transmitted by any means without prior permission in writing of ACMF. All discrepancies shall be referred to ACMF immediately.

DATE : 10/11/2025

SCALE : NTS



TECHNICAL DATA

| | |
|-----------------------|--|
| DESCRIPTION : | ELEGRA ZENITH SEMI-FRAMELESS BALUSTRADE SYSTEM |
| MATERIAL : | ALUMINIUM ALLOY OR 6061-T6 |
| TYPICAL HEIGHT : | 1000 MM / 1100 MM FROM FFL (REFER TO NZS 4223.3) |
| FIXING TYPE OPTIONS : | TOP FIX AND SIDE FIX |

- MIN CONCRETE STRENGTH IS TO BE 25 Mpa
- CONCRETE BOLT MIN EMBEDMENT IS TO BE 120MM
- COACH SCREWS ARE TO BE FIXED INTO 3 MEMBER BEAM WITH MIN EMBEDMENT 135MM

| BASE FIX GLASS TABLE - MAX SPAN (m) | | | | | |
|-------------------------------------|-----------|--------|------|-----------|------------|
| MATERIAL | WIND ZONE | | | | |
| | LOW | MEDIUM | HIGH | VERY HIGH | EXTRA HIGH |
| CONCRETE | 2.30 | 2.30 | 2.30 | 2.30 | 2.20 |
| STEEL | 2.30 | 2.30 | 2.30 | 2.30 | 2.00 |
| TIMBER (BOLTED) | 2.30 | 2.30 | 2.30 | 2.30 | 1.90 |
| TIMBER (COACH SCREW) | 0.80 | 0.80 | - | - | - |

| SIDE FIX GLASS TABLE - MAX SPAN (m) | | | | | |
|-------------------------------------|-----------|--------|------|-----------|------------|
| MATERIAL | WIND ZONE | | | | |
| | LOW | MEDIUM | HIGH | VERY HIGH | EXTRA HIGH |
| CONCRETE | 2.30 | 2.30 | 2.30 | 2.00 | 1.60 |
| STEEL | 2.30 | 2.30 | 2.30 | 2.30 | 2.00 |
| TIMBER (BOLTED) | 1.20 | 1.20 | 1.20 | 1.20 | 1.00 |
| TIMBER (COACH SCREW) | 0.70 | 0.70 | - | - | - |

MAXIMUM GLASS SPAN (MM)

| OCCUPANCY | LSG | | TOUGHENED SAFETY GLASS | | | | TOUGHENED LAMINATED SG | | | | |
|-----------|-----|----|------------------------|------|------|------|------------------------|------|------|------|------|
| | 10 | 12 | 6 | 8 | 10 | 12 | 15 | 8 | 10 | 12 | 16 |
| C3 | - | - | - | 1100 | 1650 | 1930 | 2250 | 1200 | 1200 | 1200 | 1200 |

NOTE: GLASS SPAN IS THE SMALLER DIMENSION OF THE HEIGHT OR WIDTH



ACMF - SOLAR EDGE
PO BOX 101 760 NORTH SHORE 0745
TEL: 09 214 3236 FAX: 09 444 2142
68 ELLICE ROAD, GLENFIELD

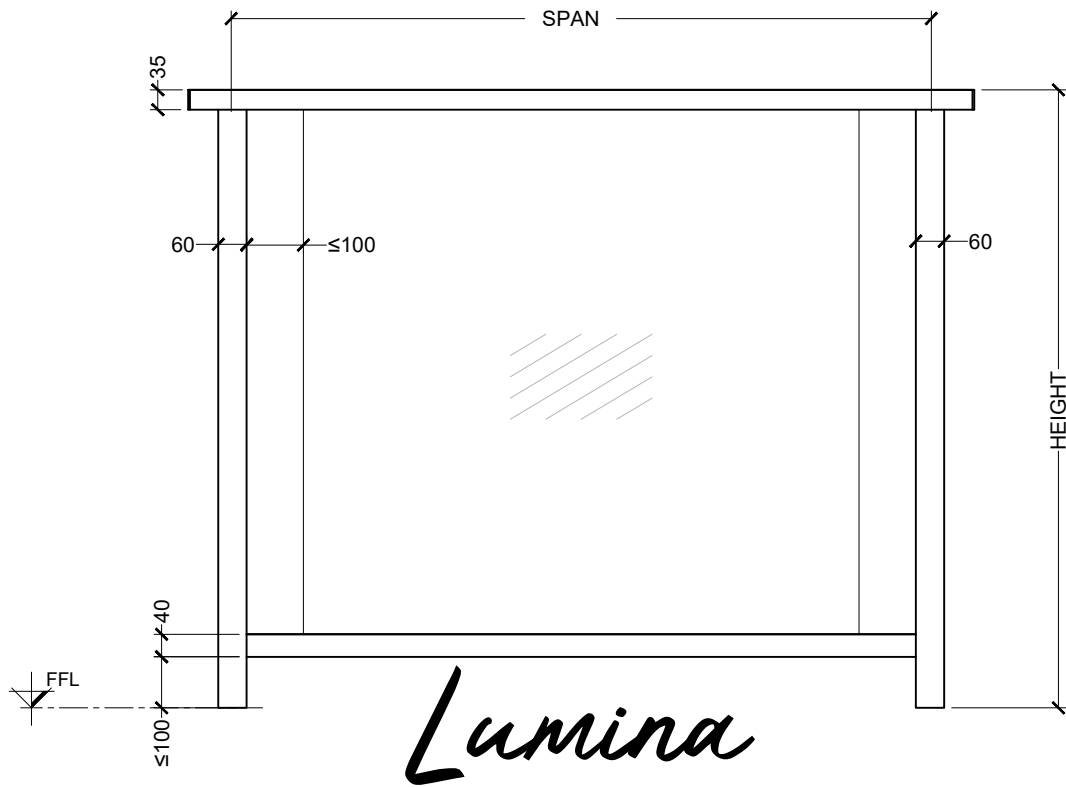


ZENITH SEMI-FRAMELESS BALUSTRADE SYSTEM

Copyright - ACMF No part of this document may be reproduced, stored in a retrieval system in any form or transmitted by any means without prior permission in writing of ACMF. All discrepancies shall be referred to ACMF immediately.

DATE : 10/11/2025

SCALE : NTS



TECHNICAL DATA

| | |
|-----------------------|--|
| DESCRIPTION : | ELEGRA LUMINA SEMI-FRAMELESS BALUSTRADE SYSTEM |
| MATERIAL : | ALUMINIUM ALLOY OR 6061-T6 |
| TYPICAL HEIGHT : | 1000 MM / 1100 MM FROM FFL (REFER TO NZS 4223.3) |
| FIXING TYPE OPTIONS : | TOP FIX AND SIDE FIX |

- MIN CONCRETE STRENGTH IS TO BE 25 Mpa
- CONCRETE BOLT MIN EMBEDMENT IS TO BE 120MM
- COACH SCREWS ARE TO BE FIXED INTO 3 MEMBER BEAM WITH MIN EMBEDMENT 135MM

| BASE FIX GLASS TABLE - MAX SPAN (m) | | | | | |
|-------------------------------------|-----------|--------|------|-----------|------------|
| MATERIAL | WIND ZONE | | | | |
| | LOW | MEDIUM | HIGH | VERY HIGH | EXTRA HIGH |
| CONCRETE | 2.30 | 2.30 | 2.30 | 2.30 | 2.20 |
| STEEL | 2.30 | 2.30 | 2.30 | 2.30 | 2.00 |
| TIMBER (BOLTED) | 2.30 | 2.30 | 2.30 | 2.30 | 1.90 |
| TIMBER (COACH SCREW) | 0.80 | 0.80 | - | - | - |

| SIDE FIX GLASS TABLE - MAX SPAN (m) | | | | | |
|-------------------------------------|-----------|--------|------|-----------|------------|
| MATERIAL | WIND ZONE | | | | |
| | LOW | MEDIUM | HIGH | VERY HIGH | EXTRA HIGH |
| CONCRETE | 2.30 | 2.30 | 2.30 | 2.00 | 1.60 |
| STEEL | 2.30 | 2.30 | 2.30 | 2.30 | 2.00 |
| TIMBER (BOLTED) | 1.20 | 1.20 | 1.20 | 1.20 | 1.00 |
| TIMBER (COACH SCREW) | 0.70 | 0.70 | - | - | - |

MAXIMUM GLASS SPAN (MM)

| OCCUPANCY | LSG | | TOUGHENED SAFETY GLASS | | | | | TOUGHENED LAMINATED SG | | | |
|-----------|-----|----|------------------------|------|------|------|------|------------------------|------|------|------|
| | 10 | 12 | 6 | 8 | 10 | 12 | 15 | 8 | 10 | 12 | 16 |
| C3 | - | - | - | 1100 | 1650 | 1930 | 2250 | 1200 | 1200 | 1200 | 1200 |

NOTE: GLASS SPAN IS THE SMALLER DIMENSION OF THE HEIGHT OR WIDTH



ACMF - SOLAR EDGE
PO BOX 101 760 NORTH SHORE 0745
TEL: 09 214 3236 FAX: 09 444 2142
68 ELLICE ROAD, GLENFIELD

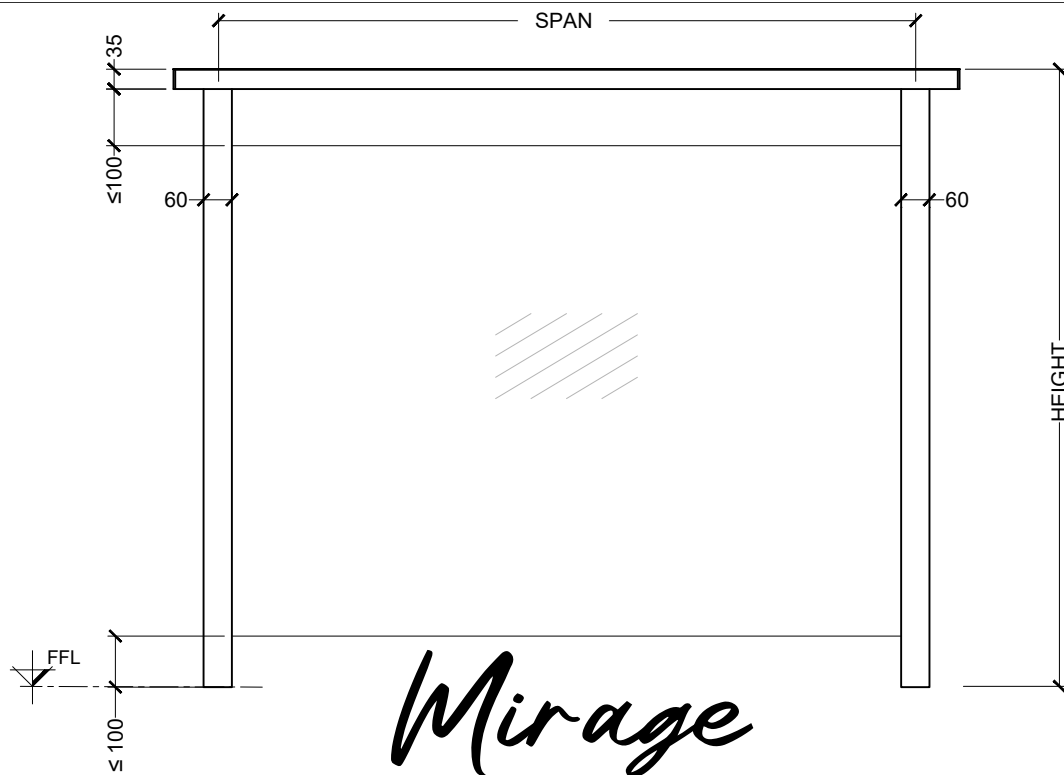


LUMINA SEMI-FRAMELESS BALUSTRADE SYSTEM

Copyright - ACMF No part of this document may be reproduced, stored in a retrieval system in any form or transmitted by any means without prior permission in writing of ACMF. All discrepancies shall be referred to ACMF immediately.

DATE : 10/11/2025

SCALE : NTS



TECHNICAL DATA

| | |
|-----------------------|--|
| DESCRIPTION : | ELEGRA MIRAGE SEMI-FRAMELESS BALUSTRADE SYSTEM |
| MATERIAL : | ALUMINIUM ALLOY OR 6061-T6 |
| TYPICAL HEIGHT : | 1000 MM / 1100 MM FROM FFL (REFER TO NZS 4223.3) |
| FIXING TYPE OPTIONS : | TOP FIX AND SIDE FIX |

- MIN CONCRETE STRENGTH IS TO BE 25 Mpa
- CONCRETE BOLT MIN EMBEDMENT IS TO BE 120MM
- COACH SCREWS ARE TO BE FIXED INTO 3 MEMBER BEAM WITH MIN EMBEDMENT 135MM

| BASE FIX GLASS TABLE - MAX SPAN (m) | | | | | |
|-------------------------------------|-----------|--------|------|-----------|------------|
| MATERIAL | WIND ZONE | | | | |
| | LOW | MEDIUM | HIGH | VERY HIGH | EXTRA HIGH |
| CONCRETE | 2.30 | 2.30 | 2.30 | 2.30 | 2.20 |
| STEEL | 2.30 | 2.30 | 2.30 | 2.30 | 2.00 |
| TIMBER (BOLTED) | 2.30 | 2.30 | 2.30 | 2.30 | 1.90 |
| TIMBER (COACH SCREW) | 0.80 | 0.80 | - | - | - |

| SIDE FIX GLASS TABLE - MAX SPAN (m) | | | | | |
|-------------------------------------|-----------|--------|------|-----------|------------|
| MATERIAL | WIND ZONE | | | | |
| | LOW | MEDIUM | HIGH | VERY HIGH | EXTRA HIGH |
| CONCRETE | 2.30 | 2.30 | 2.30 | 2.00 | 1.60 |
| STEEL | 2.30 | 2.30 | 2.30 | 2.30 | 2.00 |
| TIMBER (BOLTED) | 1.20 | 1.20 | 1.20 | 1.20 | 1.00 |
| TIMBER (COACH SCREW) | 0.70 | 0.70 | - | - | - |

MAXIMUM GLASS SPAN (MM)

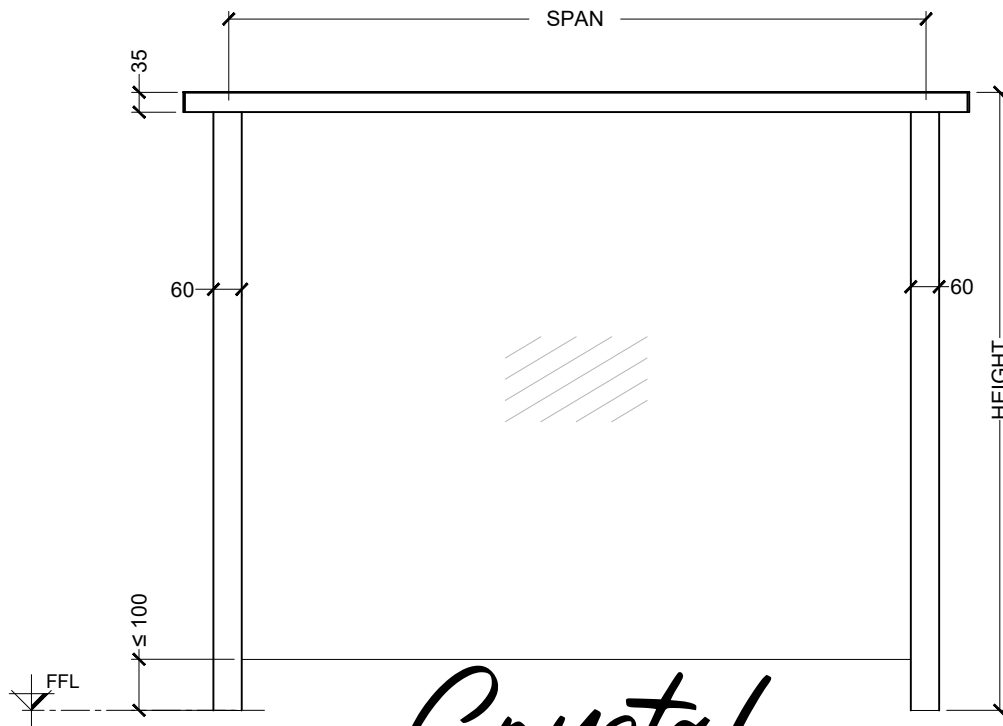
| OCCUPANCY | LSG | | TOUGHENED SAFETY GLASS | | | | | TOUGHENED LAMINATED SG | | | |
|-----------|-----|----|------------------------|------|------|------|------|------------------------|------|------|------|
| | 10 | 12 | 6 | 8 | 10 | 12 | 15 | 8 | 10 | 12 | 16 |
| C3 | - | - | - | 1100 | 1650 | 1930 | 2250 | 1200 | 1200 | 1200 | 1200 |

NOTE: GLASS SPAN IS THE SMALLER DIMENSION OF THE HEIGHT OR WIDTH

ACME
 ACME - SOLAR EDGE
 PO BOX 101 760 NORTH SHORE 0745
 TEL: 09 214 3236 FAX: 09 444 2142
 68 ELLICE ROAD, GLENFIELD

ELEGRA
MIRAGE SEMI-FRAMELESS BALUSTRADE SYSTEM

Copyright - ACME No part of this document may be reproduced, stored in a retrieval system in any form or transmitted by any means without prior permission in writing of ACME. All discrepancies shall be referred to ACME immediately.
 DATE : 10/11/2025
 SCALE : NTS



TECHNICAL DATA

| | |
|-----------------------|--|
| DESCRIPTION : | ELEGRA CRYSTAL SEMI-FRAMELESS BALUSTRADE SYSTEM |
| MATERIAL : | ALUMINIUM ALLOY OR 6061-T6 |
| TYPICAL HEIGHT : | 1000 MM / 1100 MM FROM FFL (REFER TO NZS 4223.3) |
| FIXING TYPE OPTIONS : | TOP FIX AND SIDE FIX |

- MIN CONCRETE STRENGTH IS TO BE 25 Mpa
- CONCRETE BOLT MIN EMBEDMENT IS TO BE 120MM
- COACH SCREWS ARE TO BE FIXED INTO 3 MEMBER BEAM WITH MIN EMBEDMENT 135MM

| BASE FIX GLASS TABLE - MAX SPAN (m) | | | | | |
|-------------------------------------|-----------|--------|------|-----------|------------|
| MATERIAL | WIND ZONE | | | | |
| | LOW | MEDIUM | HIGH | VERY HIGH | EXTRA HIGH |
| CONCRETE | 2.30 | 2.30 | 2.30 | 2.30 | 2.20 |
| STEEL | 2.30 | 2.30 | 2.30 | 2.30 | 2.00 |
| TIMBER (BOLTED) | 2.30 | 2.30 | 2.30 | 2.30 | 1.90 |
| TIMBER (COACH SCREW) | 0.80 | 0.80 | - | - | - |

| SIDE FIX GLASS TABLE - MAX SPAN (m) | | | | | |
|-------------------------------------|-----------|--------|------|-----------|------------|
| MATERIAL | WIND ZONE | | | | |
| | LOW | MEDIUM | HIGH | VERY HIGH | EXTRA HIGH |
| CONCRETE | 2.30 | 2.30 | 2.30 | 2.00 | 1.60 |
| STEEL | 2.30 | 2.30 | 2.30 | 2.30 | 2.00 |
| TIMBER (BOLTED) | 1.20 | 1.20 | 1.20 | 1.20 | 1.00 |
| TIMBER (COACH SCREW) | 0.70 | 0.70 | - | - | - |

MAXIMUM GLASS SPAN (MM)

| OCCUPANCY | LSG | | TOUGHENED SAFETY GLASS | | | | | TOUGHENED LAMINATED SG | | | |
|-----------|-----|----|------------------------|------|------|------|------|------------------------|------|------|------|
| | 10 | 12 | 6 | 8 | 10 | 12 | 15 | 8 | 10 | 12 | 16 |
| C3 | - | - | - | 1100 | 1650 | 1930 | 2250 | 1200 | 1200 | 1200 | 1200 |

NOTE: GLASS SPAN IS THE SMALLER DIMENSION OF THE HEIGHT OR WIDTH



ACMF - SOLAR EDGE
PO BOX 101 760 NORTH SHORE 0745
TEL: 09 214 3236 FAX: 09 444 2142
68 ELLICE ROAD, GLENFIELD

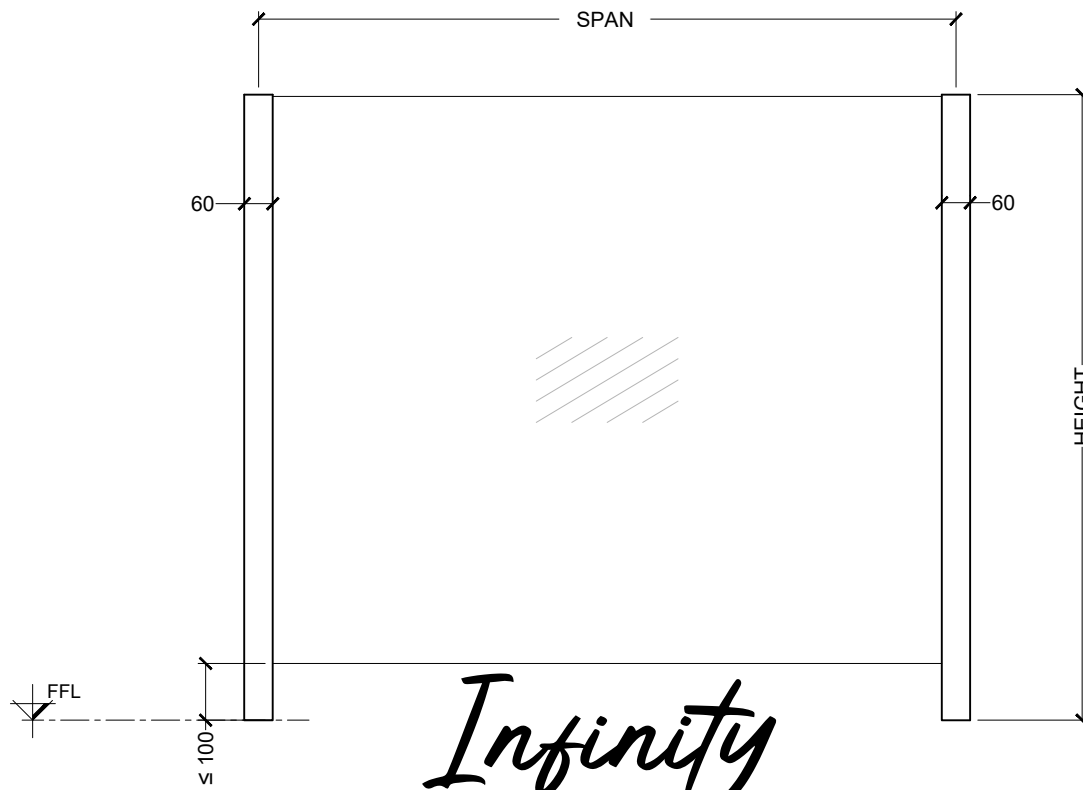


CRYSTAL SEMI-FRAMELESS BALUSTRADE SYSTEM

Copyright - ACMF No part of this document may be reproduced, stored in a retrieval system in any form or transmitted by any means without prior permission in writing of ACMF. All discrepancies shall be referred to ACMF immediately.

DATE : 10/11/2025

SCALE : NTS



TECHNICAL DATA

| | |
|-----------------------|--|
| DESCRIPTION : | ELEGRA INFINITY SEMI-FRAMELESS BALUSTRADE SYSTEM |
| MATERIAL : | ALUMINIUM ALLOY 6061-T6 |
| TYPICAL HEIGHT : | 1000 MM / 1100 MM FROM FFL (REFER TO NZS 4223.3) |
| FIXING TYPE OPTIONS : | TOP FIX AND SIDE FIX |

- MIN CONCRETE STRENGTH IS TO BE 25 Mpa
- CONCRETE BOLT MIN EMBEDMENT IS TO BE 120MM
- COACH SCREWS ARE TO BE FIXED INTO 3 MEMBER BEAM WITH MIN EMBEDMENT 135MM

| BASE FIX GLASS TABLE - MAX SPAN (m) | | | | | |
|-------------------------------------|-----------|--------|------|-----------|------------|
| MATERIAL | WIND ZONE | | | | |
| | LOW | MEDIUM | HIGH | VERY HIGH | EXTRA HIGH |
| CONCRETE | 2.30 | 2.30 | 2.30 | 2.30 | 2.20 |
| STEEL | 2.30 | 2.30 | 2.30 | 2.30 | 2.00 |
| TIMBER (BOLTED) | 2.30 | 2.30 | 2.30 | 2.30 | 1.90 |
| TIMBER (COACH SCREW) | 0.80 | 0.80 | - | - | - |

| SIDE FIX GLASS TABLE - MAX SPAN (m) | | | | | |
|-------------------------------------|-----------|--------|------|-----------|------------|
| MATERIAL | WIND ZONE | | | | |
| | LOW | MEDIUM | HIGH | VERY HIGH | EXTRA HIGH |
| CONCRETE | 2.30 | 2.30 | 2.30 | 2.00 | 1.60 |
| STEEL | 2.30 | 2.30 | 2.30 | 2.30 | 2.00 |
| TIMBER (BOLTED) | 1.20 | 1.20 | 1.20 | 1.20 | 1.00 |
| TIMBER (COACH SCREW) | 0.70 | 0.70 | - | - | - |

MAXIMUM GLASS SPAN (MM)

| OCCUPANCY | LAMINATED SAFETY GLASS | | | | TOUGHENED SG | | TLSG |
|-----------|------------------------|------|-------------|------|--------------|------------|------------|
| | 6 | 8 | 10 and over | 12 | 6 | 8 and over | 8 and over |
| C3 | - | 1150 | 1200 | 1200 | 1100 | 1200 | 1200 |

NOTE: GLASS SPAN IS THE SMALLER DIMENSION OF THE HEIGHT OR WIDTH



ACMF - SOLAR EDGE
PO BOX 101 760 NORTH SHORE 0745
TEL: 09 214 3236 FAX: 09 444 2142
68 ELLICE ROAD, GLENFIELD



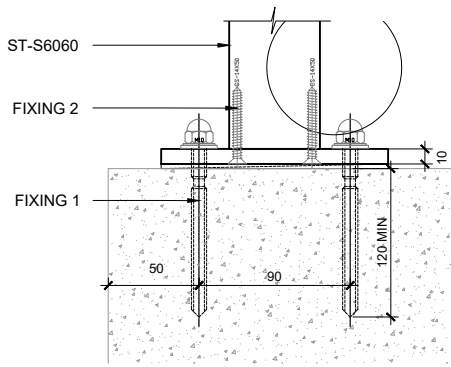
INFINITY SEMI-FRAMELESS BALUSTRADE SYSTEM

Copyright - ACMF No part of this document may be reproduced, stored in a retrieval system in any form or transmitted by any means without prior permission in writing of ACMF. All discrepancies shall be referred to ACMF immediately.

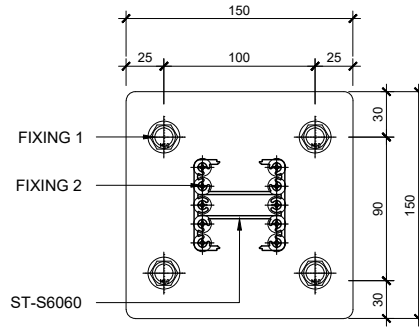
DATE : 05/09/2024

SCALE : NTS

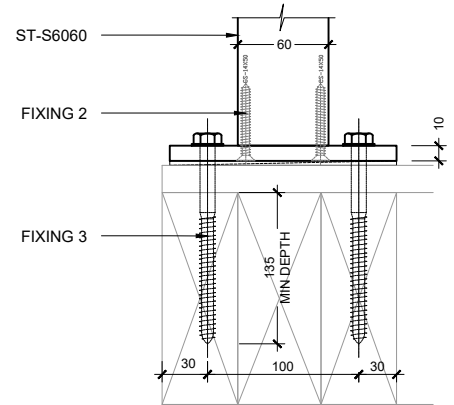
TOP FIXING DETAIL:



SECTION OVER CONCRETE



PLAN



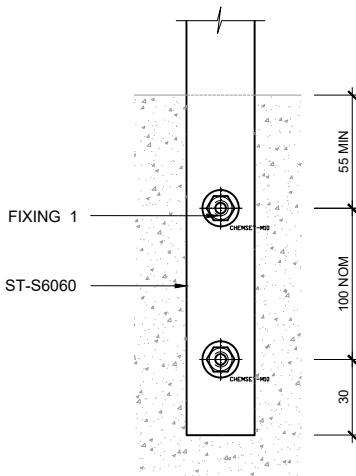
SECTION OVER TIMBER

FIXING 1: M12 SS 316 STUD WITH FISCHER FIS V PLUS 300 CHEMICAL ADHESIVE.
 OPTIONAL: M10SS 316 STUD, 145MM DEPTH

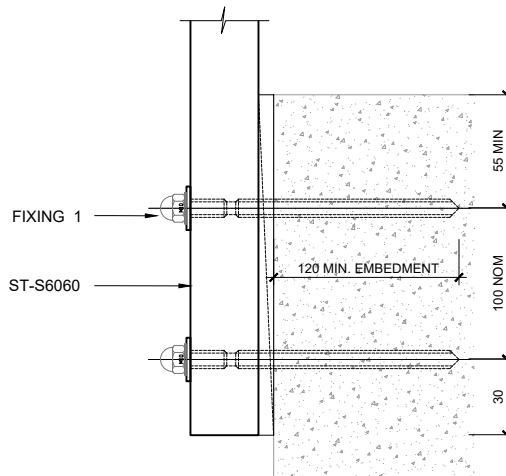
FIXING 2: 14g SS 304 SCREWS (50 MIN EMBEDMENT)

FIXING 3: M10 SS 316 COACH SCREWS, 135MM DEPTH

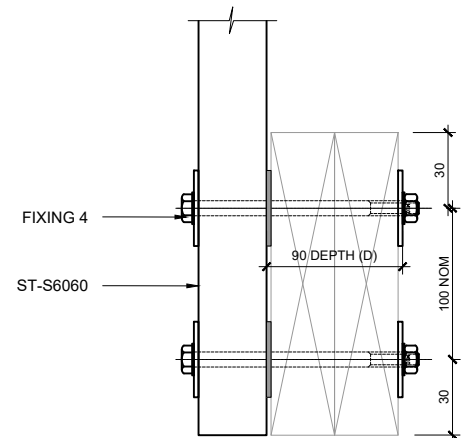
SIDE FIXING DETAIL:



FRONT



SECTION OVER CONCRETE



SECTION OVER TIMBER

FIXING 4: M12 SS BOLT AND NUT ASSEMBLY WITH 50X3 SS SQUARE WASHERS AND NEOPRENE WASHER ON ALUMINIUM STANCHION INTERFACE



ACMF - SOLAR EDGE
 PO BOX 101 760 NORTH SHORE 0745
 TEL: 09 214 3236 FAX: 09 444 2142
 68 ELLICE ROAD, GLENFIELD

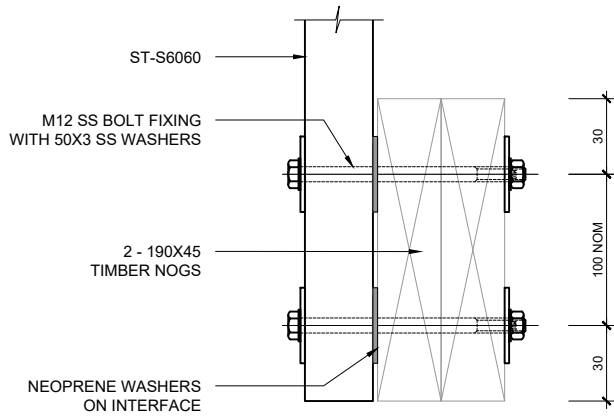


TYPICAL FIXING DETAILS

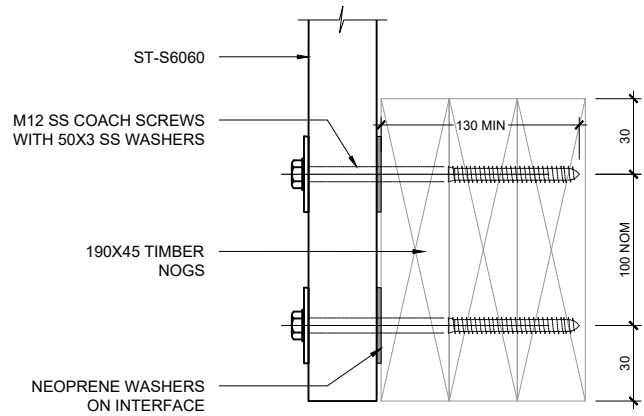
Copyright - ACMF No part of this document may be reproduced, stored in a retrieval system in any form or transmitted by any means without prior permission in writing of ACMF. All discrepancies shall be referred to ACMF immediately.

DATE : 10/11/2025

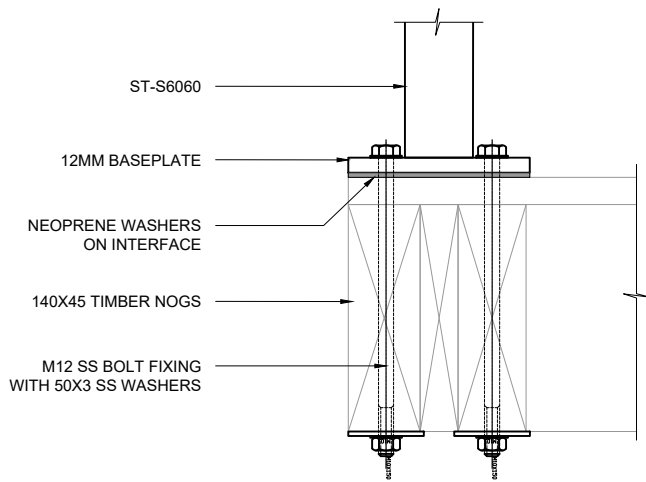
SCALE : NTS



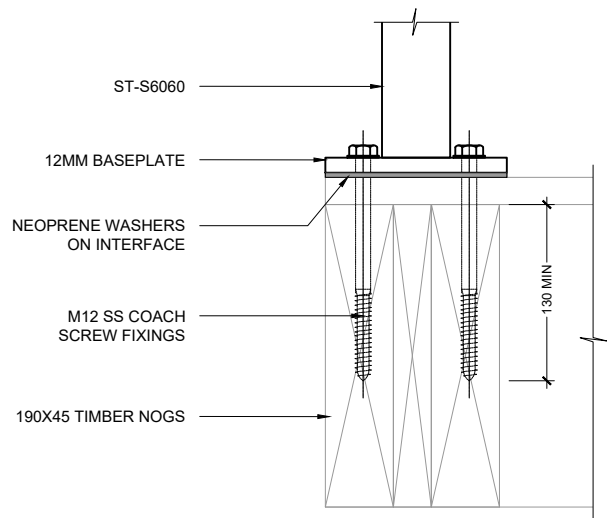
SIDE FIXING ON TIMBER - BOLT THRU



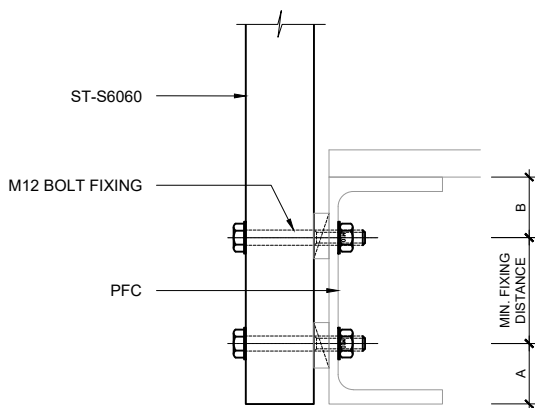
SIDE FIXING ON TIMBER



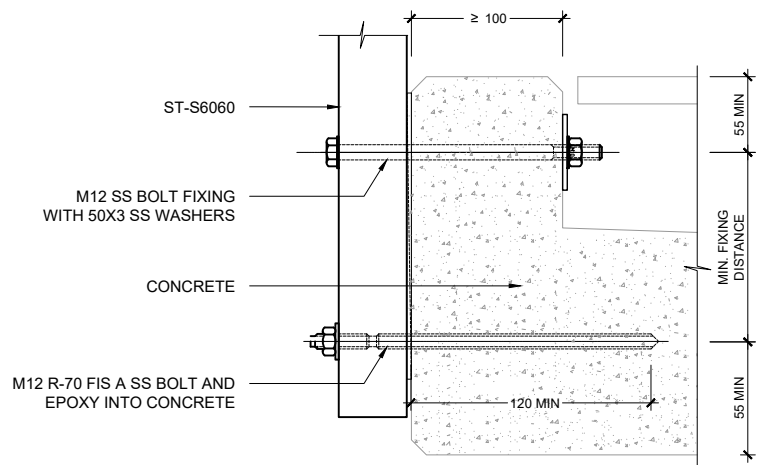
TOP FIXING ON TIMBER - BOLT THRU



TOP FIXING ON TIMBER



SIDE FIXING TO STEEL - BOLT THRU



SIDE FIXING TO CONCRETE WITH BOLT THRU AND CHEMSET FIXING



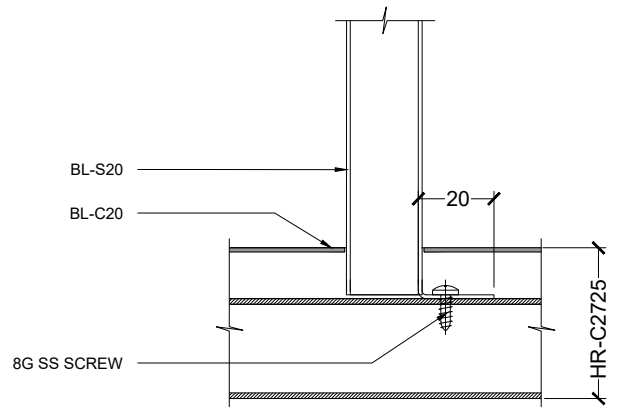
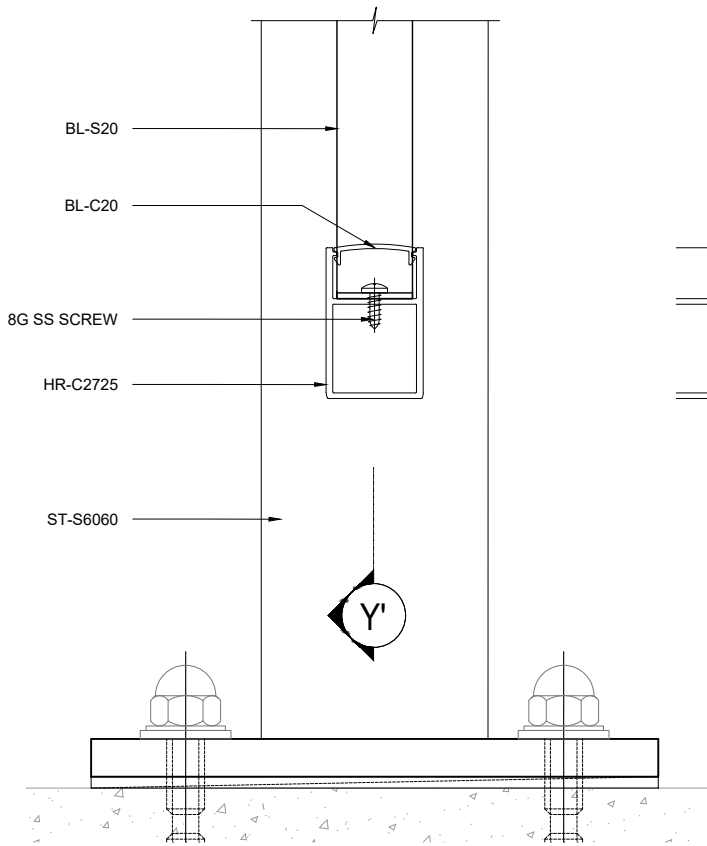
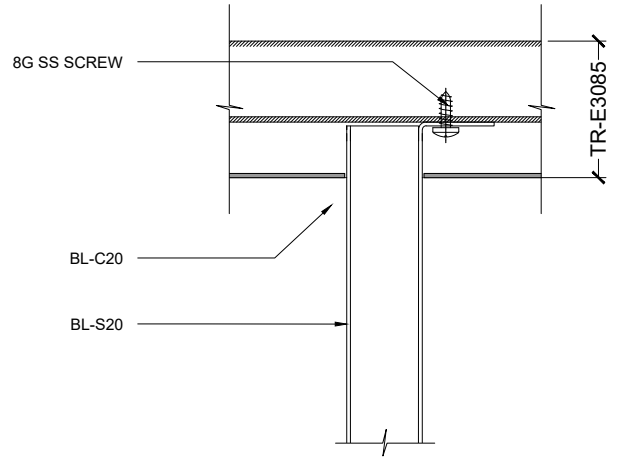
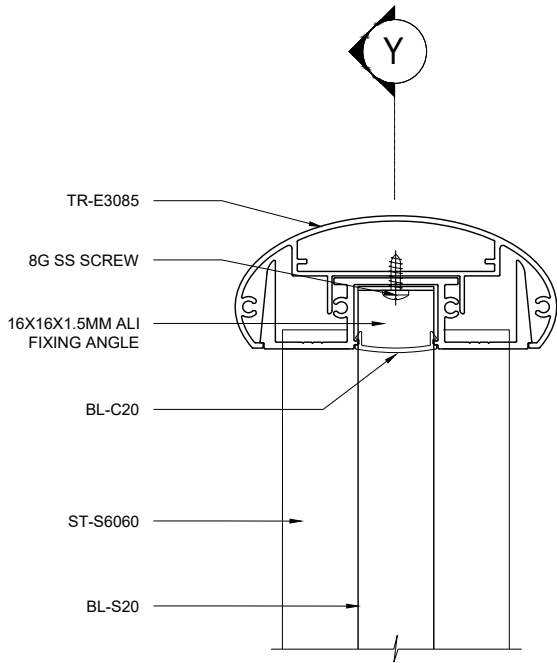
ACMF - SOLAR EDGE
 PO BOX 101 760 NORTH SHORE 0745
 TEL: 09 214 3236 FAX: 09 444 2142
 68 ELLICE ROAD, GLENFIELD

ELEGRA
 TYPICAL FIXING DETAILS

Copyright - ACMF No part of this document may be reproduced, stored in a retrieval system in any form or transmitted by any means without prior permission in writing of ACMF. All discrepancies shall be referred to ACMF immediately.

DATE : 05/09/2024

SCALE : NTS



SECTION Y - Y'

SECTION

TYPICAL FIXING DETAIL FOR BALUSTRADE AT MID-SPAN FOR SPANS MORE THAN 1400MM



ACMF - SOLAR EDGE
 PO BOX 101 760 NORTH SHORE 0745
 TEL: 09 214 3236 FAX: 09 444 2142
 68 ELLICE ROAD, GLENFIELD

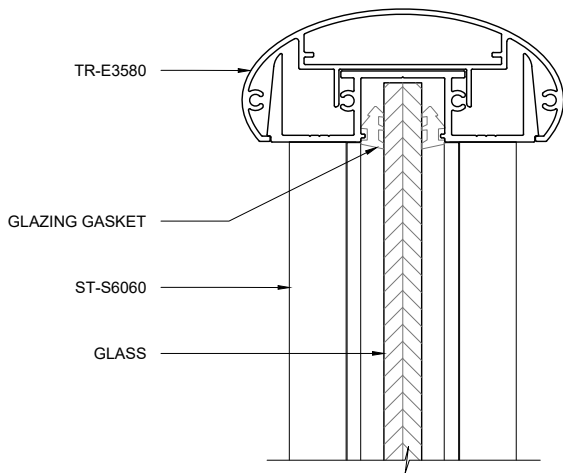


TYPICAL FIXING DETAILS

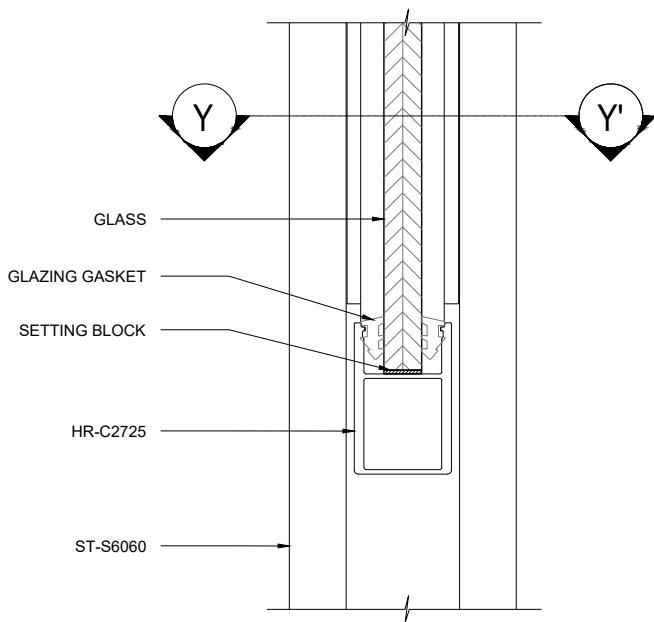
Copyright - ACMF No part of this document may be reproduced, stored in a retrieval system in any form or transmitted by any means without prior permission in writing of ACMF. All discrepancies shall be referred to ACMF immediately.

DATE : 10/11/2025

SCALE : NTS

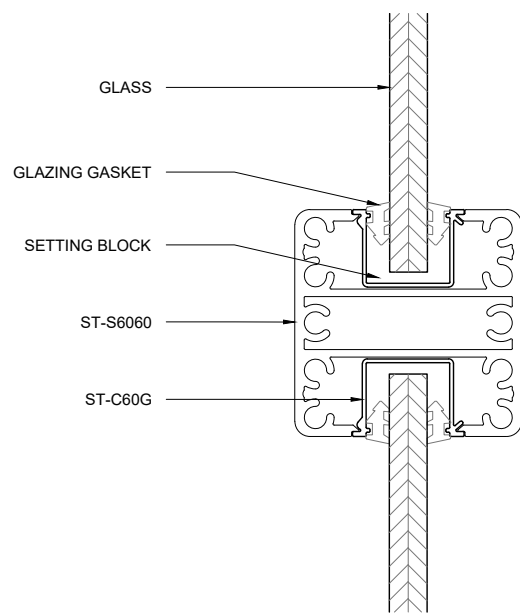


TOP



BOTTOM

SECTION



PLAN Y - Y'

TYPICAL GLASS FIXING DETAIL



ACMF - SOLAR EDGE
 PO BOX 101 760 NORTH SHORE 0745
 TEL: 09 214 3236 FAX: 09 444 2142
 68 ELLICE ROAD, GLENFIELD



TYPICAL FIXING DETAILS

Copyright - ACMF No part of this document may be reproduced, stored in a retrieval system in any form or transmitted by any means without prior permission in writing of ACMF. All discrepancies shall be referred to ACMF immediately.

DATE : 10/11/2025

SCALE : NTS