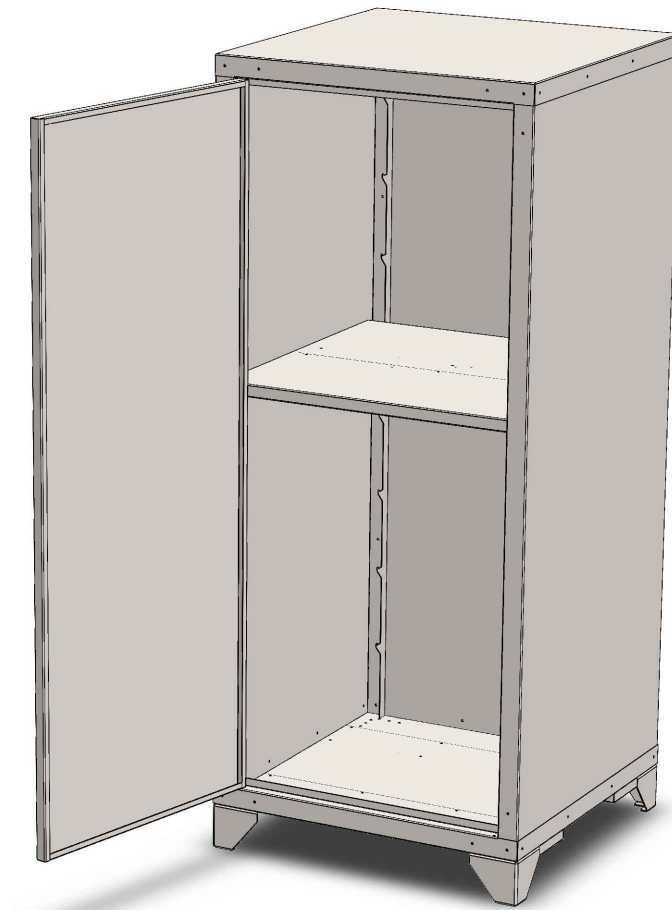


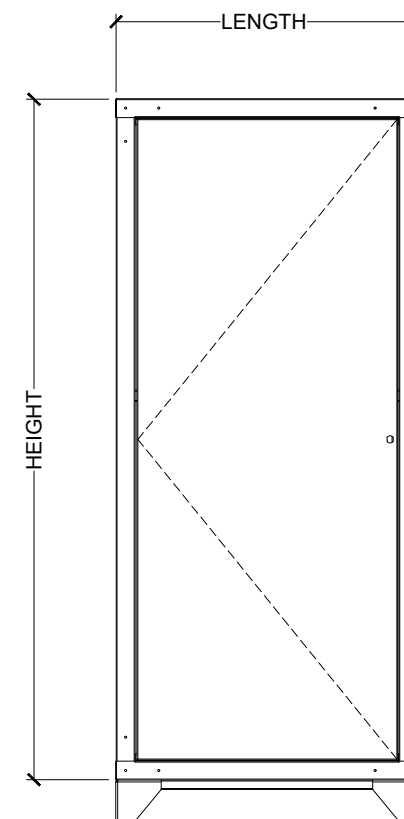
## GARAGE LOCKER TYPE : FLOOR STANDING

The Overhead Locker stands out as a pinnacle of strength and versatility in storage solutions, crafted to enhance space efficiency in workspaces or garages. Built with premium-grade materials, this locker incorporates a sophisticated gas strut system for effortless opening and secure door positioning, ensuring reliable access to your stored items. Its open design promotes swift retrieval of frequently used tools and equipment, while the adjustable legs provide a stable fit on various surfaces. With its robust construction and advanced features, the Overhead Locker is the ideal choice for maintaining an organized and clutter-free workspace.

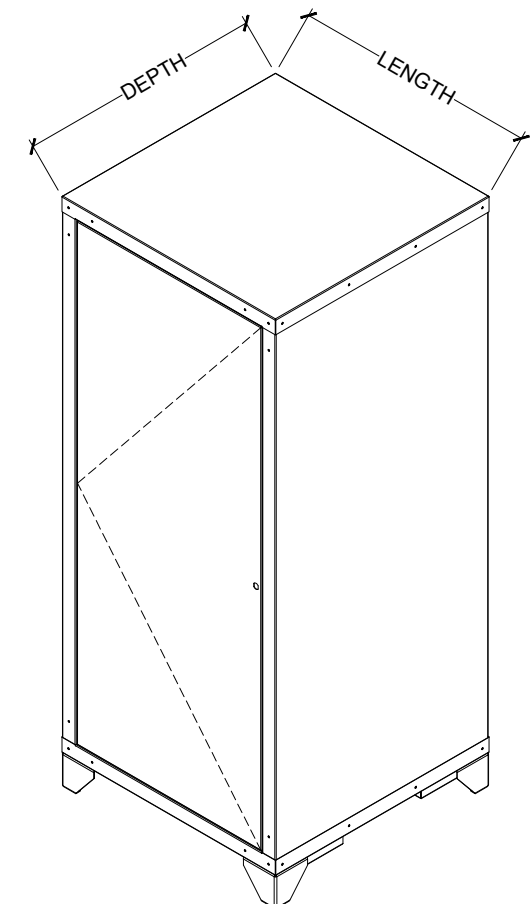


DOOR IN OPEN POSITION

PRODUCT NAME :	VANGUARD - FLOOR STANDING LOCKER
MATERIAL :	0.95MM THICK GALVANIZED Z275 STEEL OR ELECTRO GALV
STANDARD DIMENSIONS :	800MM (LENGTH) X 800MM (DEPTH) X 1800MM (HEIGHT)
LEG HEIGHT :	TYPICAL 110 MM - ADJUSTABLE TO MEET BASEMENT HEIGHT RESTRAINTS
ACCESSORIES :	DOOR PULL HANDLES, LOCK WITH KEY, ADJUSTABLE INTERNAL SHELVING
FINISH :	POWDER COATED OR NATURAL GALVANIZED
CUSTOM OPTIONS :	ADJUSTABLE LEG HEIGHT AND LEVELING FEET FOR UNEVEN OR SLOPED FLOOR, MULTIPLE SHELVING, LOCKER DIMENSIONS AS REQUIRED, CUSTOM CUT-OUT TO FIT BUILDING SERVICES



FRONT



DOOR IN CLOSE POSITION

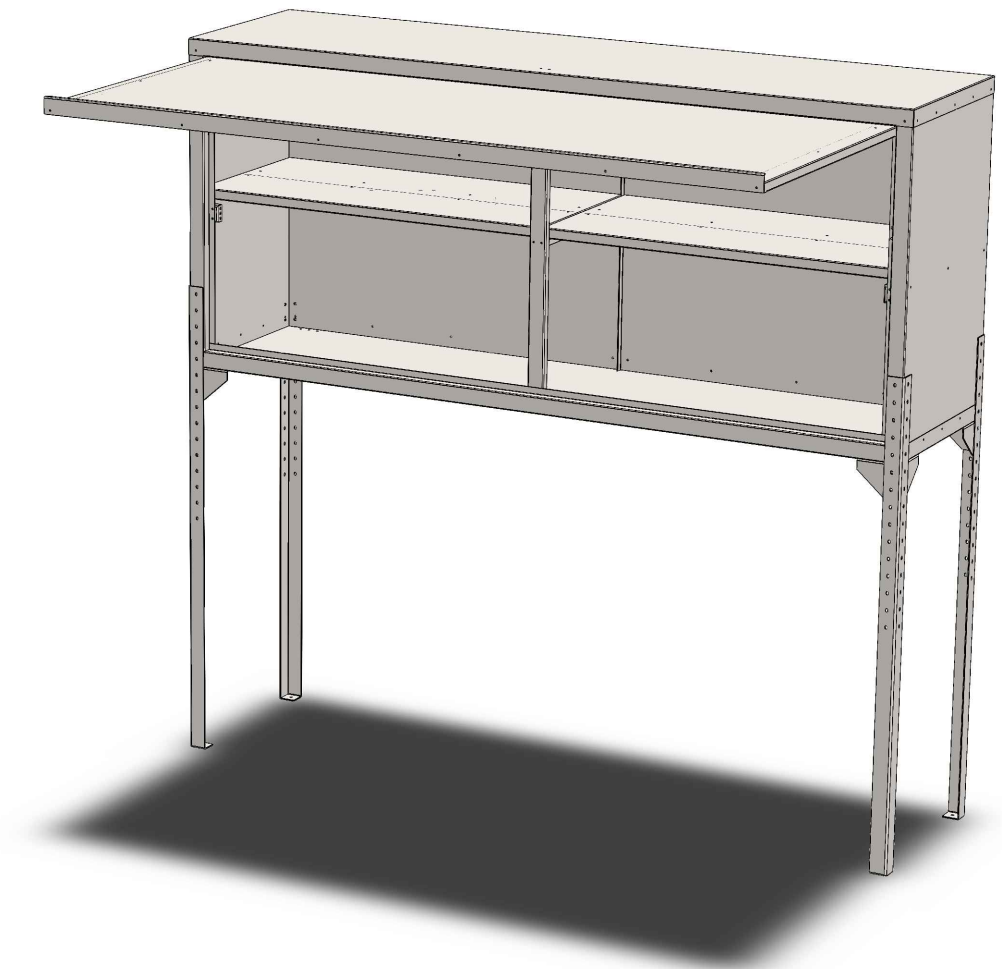
**ACME**

ACMF  
PO BOX 101 760 NORTH SHORE 0745  
TEL: 09 214 3236 FAX: 09 444 2142  
68 ELLICE ROAD, WAIRAU VALLEY, GLENFELD

## GARAGE LOCKER

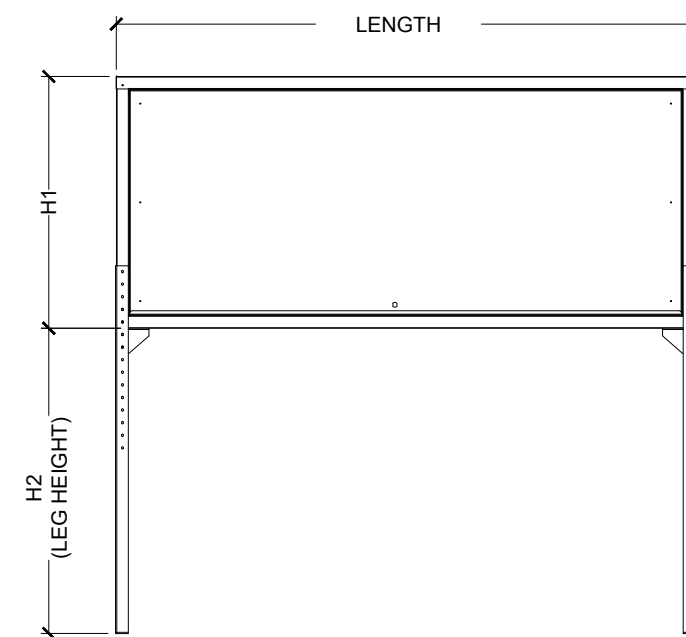
### TYPE : OVERHOOD WITH LEGS

The Overhood Locker stands out as a pinnacle of strength and versatility in storage solutions, crafted to enhance space efficiency in workspaces or garages. Built with premium-grade materials, this locker incorporates a sophisticated gas strut system for effortless opening and secure door positioning, ensuring reliable access to your stored items. Its open design promotes swift retrieval of frequently used tools and equipment, while the adjustable legs provide a stable fit on various surfaces. With its robust construction and advanced features, the Overhood Locker is the ideal choice for maintaining an organized and clutter-free workspace.

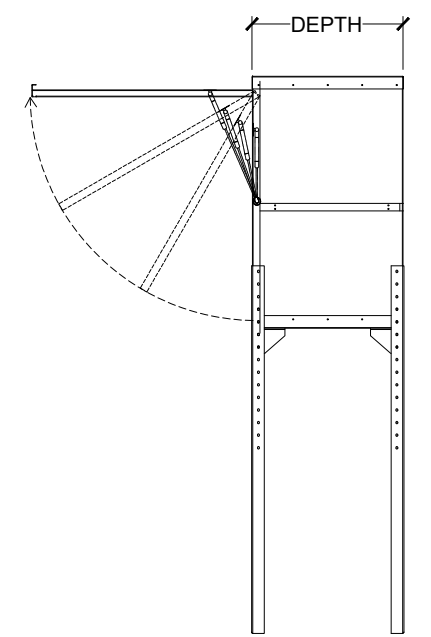


LOCKER IN OPEN POSITION

PRODUCT NAME :	VANGUARD - OVERHOOD LOCKER
MATERIAL :	0.95MM THICK GALVANIZED Z275 STEEL OR ELECTRO GALV
STANDARD DIMENSIONS :	2300MM (LENGTH) X 700MM (DEPTH) X 1000MM (HEIGHT-H1)
LEG HEIGHT :	TYPICAL 1200 MM - ADJUSTABLE FROM 800MM - 1350MM WITH 50MM INCREMENT TO MEET BASEMENT HEIGHT RESTRAINTS AND VEHICLE HEIGHTS
ACCESSORIES :	DOOR PULL HANDLES, LOCK WITH KEY, GAS STRUT SUPPORT STAYS, ADJUSTABLE INTERNAL SHELVING
FINISH :	POWDER COATED OR NATURAL GALVANIZED
CUSTOM OPTIONS :	ADJUSTABLE LEG HEIGHT AND LEVELING FEET FOR UNEVEN OR SLOPED FLOOR, MULTIPLE SHELVING, LOCKER DIMENSIONS AS REQUIRED, CUSTOM CUT-OUT TO FIT BUILDING SERVICES



FRONT



SECTION

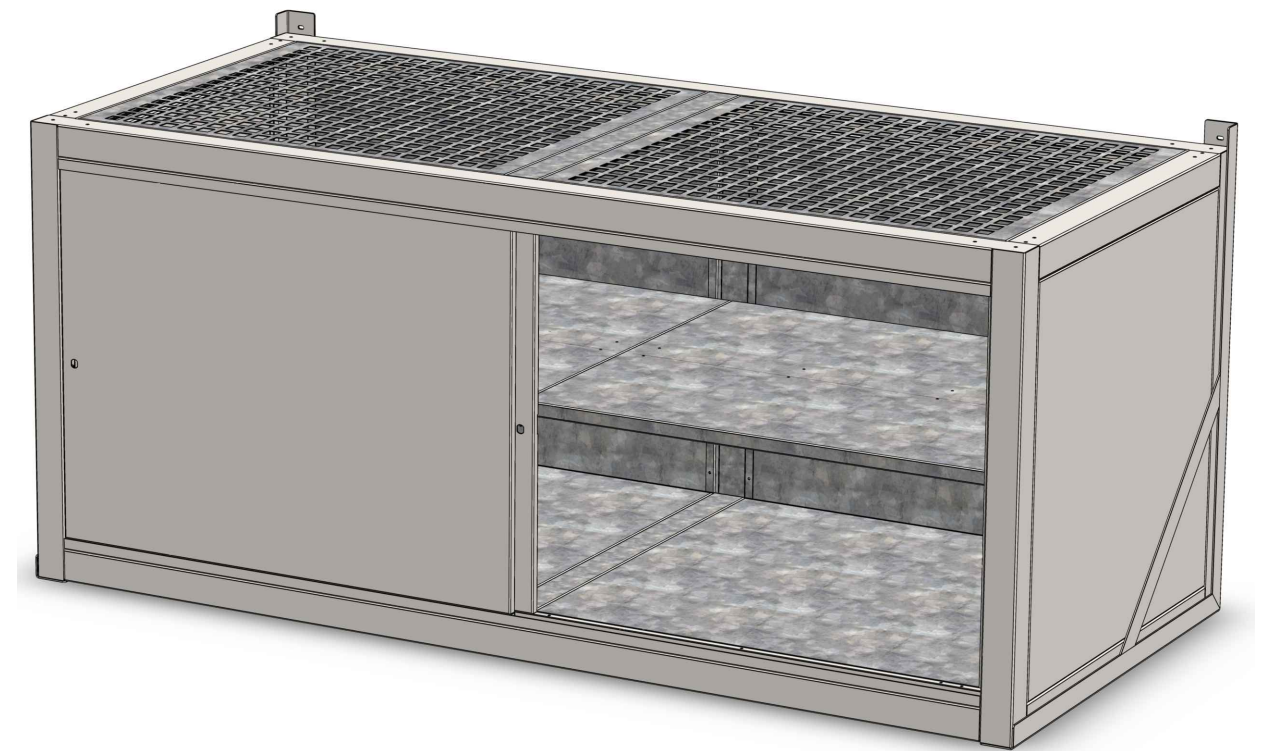
**ACME**

ACMF  
PO BOX 101 760 NORTH SHORE 0745  
TEL: 09 214 3236 FAX: 09 444 2142  
68 ELLICE ROAD, WAIRAU VALLEY, GLENFELD

# GARAGE LOCKER

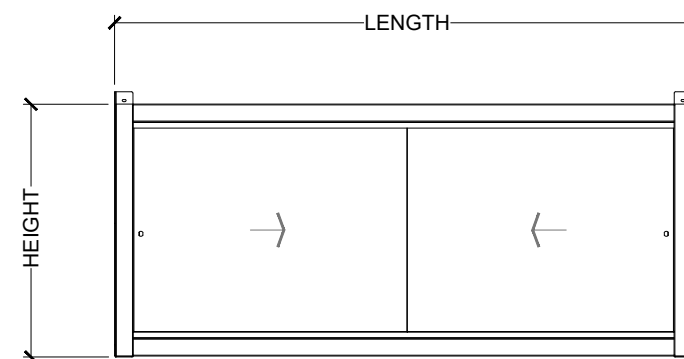
## TYPE : OVERHOOD - WALL MOUNTED

The Overhood Locker stands out as a pinnacle of strength and versatility in storage solutions, crafted to enhance space efficiency in workspaces or garages. Built with premium-grade materials, this locker incorporates a sophisticated gas strut system for effortless opening and secure door positioning, ensuring reliable access to your stored items. Its open design promotes swift retrieval of frequently used tools and equipment, while the adjustable legs provide a stable fit on various surfaces. With its robust construction and advanced features, the Overhood Locker is the ideal choice for maintaining an organized and clutter-free workspace.

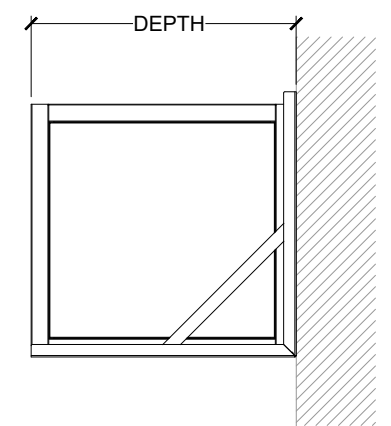


PRODUCT NAME :	VANGUARD - OVERHOOD WALL MOUNTED
MATERIAL :	0.95MM THICK GALVANIZED Z275 STEEL OR ELECTRO GALV
STANDARD DIMENSIONS :	2300MM (LENGTH) X 700MM (DEPTH) X 1000MM (HEIGHT-H1)
MOUNTING :	DIRECT FIXING USING M10 CONCRETE BOLT AT NOMINATED POINTS
ACCESSORIES :	DOOR PULL HANDLES, LOCK WITH KEY, ROLLER SLIDERS, ADJUSTABLE INTERNAL SHELVING
FINISH :	POWDER COATED OR NATURAL GALVANIZED
CUSTOM OPTIONS :	VENTILATED OR SOLID TOP PANEL, MULTIPLE SHELVING, LOCKER DIMENSIONS AS REQUIRED, CUSTOM CUT-OUT TO FIT BUILDING SERVICES

DOOR IN OPEN POSITION



FRONT



SIDE