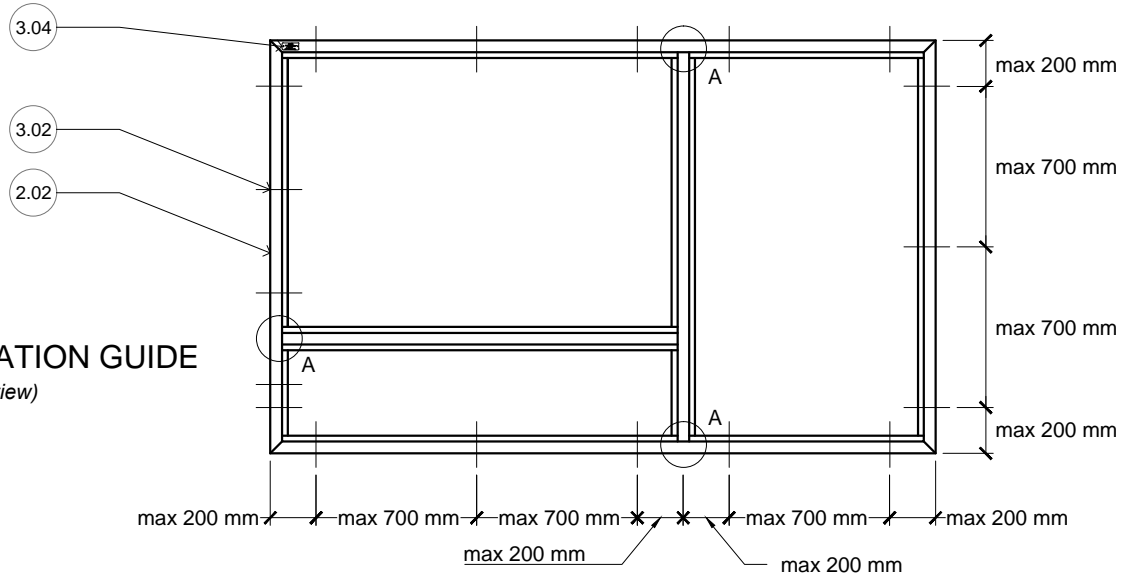
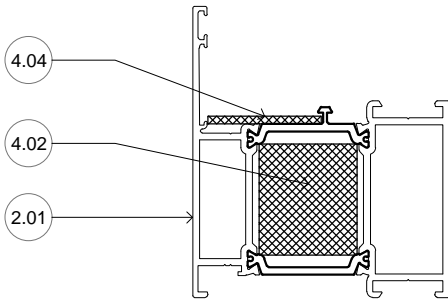


ITEM	DESCRIPTION	COLOUR/ FINISH
1.01	AGC - PYROBEL MONOLITHIC INTERNAL/EXTERNAL SINGLE / DOUBLE GLAZED -/30/30 FIRE RESISTANT (REFER TO FIGURE 4)	
1.02	AGC - PYROBEL MONOLITHIC INTERNAL/EXTERNAL SINGLE / DOUBLE GLAZED -/60/60 FIRE RESISTANT (REFER TO FIGURE 4)	
2.01	CS-77 FIRE PROOF -/30/30 ALUMINIUM JOINERY	
2.02	CS-77 FIRE PROOF -/60/60 ALUMINIUM JOINERY	
2.03	GLAZING BEAD	
2.04	INNER GLAZING GASKET (SEE TABLE 1)	
2.05	OUTER GLAZING GASKET (SEE TABLE 1)	
2.06	PROPRIETARY DOOR HANDLE	
2.07	PROPRIETARY DOOR HINGE	
2.08	CS-77 CONNECTOR PROFILE	
2.09	CS-77 FINISHING PROFILE	
2.10	CS-77 FLOOR PROFILE	
2.11	CS-77 SUPPORTING PROFILE	
2.12	DOOR CLOSER	
2.13	40X40 SILL FLASHING SUPPORT ANGLE	
3.01	12g SS SCREWS @ 700MM MAX CTRS, 40MM MIN EMBEDMENT	
3.02	METAL FIXING LUGS SPACED @ 200MM FROM CORNERS AND AT EACH SIDE OF MULLIONS AND 700MM TYPICAL CTRS	
3.03	12g SS PAN SCREWS @ 700MM MAX CTRS, 40MM MIN EMBEDMENT	
3.04	FIRE RESISTANT LABELS - TO BE ATTACHED ON THE INTERIOR-LEFT HAND CORNER OF THE FRR FRAME	
3.05	14GX150 SS SCREWS @ 700MM MAX CTRS, 40MM MIN EMBEDMENT	
4.01	HI-DENSITY MINERAL WOOL	
4.02	PROPRIETARY ENDOTHERMIC COOLING BLOCKS	
4.03	SIKA 400 FIRE SEALANT, AIRSEAL CONTINUOUS AROUND THE PERIMETER; SEALANT RATIO (>10MM = 2:1, =<10MM =1:1)	
4.04	2MM THK SWELLING GASKET	
4.05	6X34MM DRAIN SLOT WITH COVER	
4.06	ACOUSTIC GASKET	
4.07	SILL FLASHING BED SEALED WITH FRR SEALANT	
4.08	PEF ROD	
5.01	13MM GIB WEATHERLINE (BY OTHERS)	
5.02	TIMBER (BY OTHERS)	
5.03	PRE-CAST (BY OTHERS)	
5.04	SILL FLASHING (BY ACMF)	
5.05	FLASHING (BY OTHERS)	
5.06	CUSTOM DOOR SILL PLATE (BY OTHERS)	
GENERAL NOTE		
ALL DIMENSIONS ARE TO BE CHECKED ON SITE PRIOR TO MANUFACTURE		

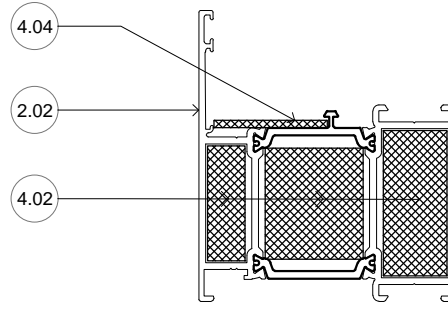
FIGURE 1



FIXING INSTALLATION GUIDE
(interior view)



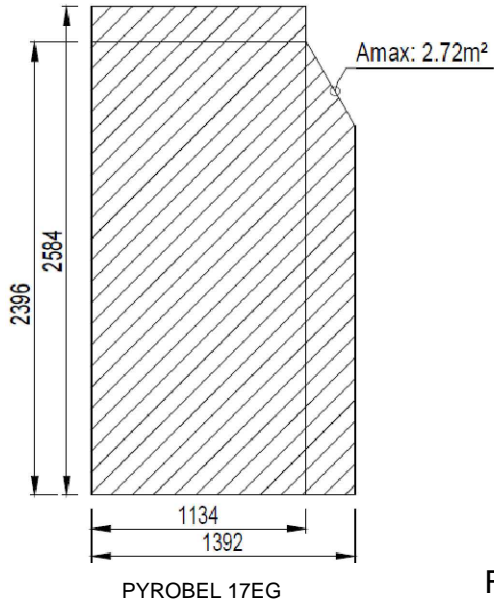
FRR -/30/30



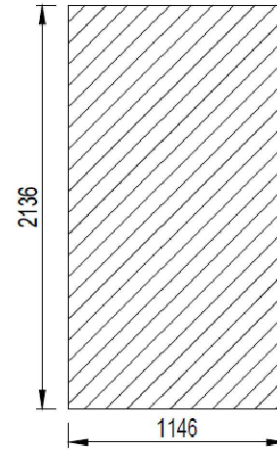
FRR -/60/60

FIGURE 2

COOLING BLOCK CONFIGURATION INSIDE CS-77 PROFILE



PYROBEL 17EG



PYROBEL 25EG

FIGURE 3

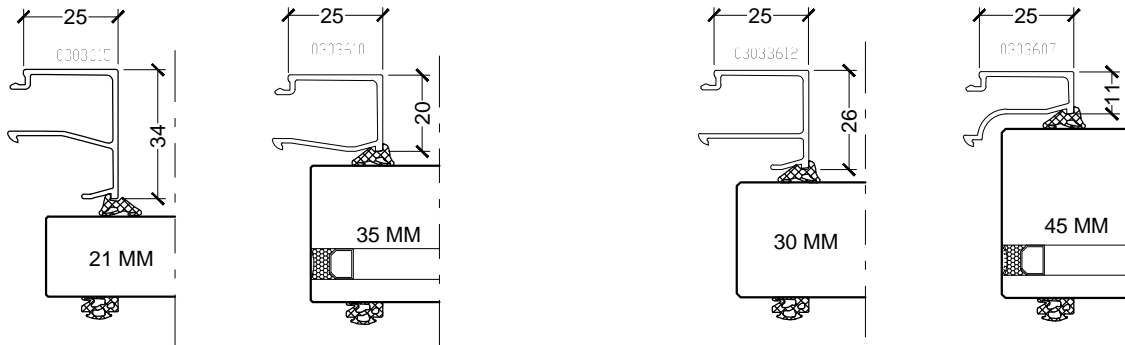
MAXIMUM GLASS SIZE

TABLE 1

GLASS THK	GLAZING BEAD	INSIDE GASKET	OUTSIDE GASKET
21 MM	030.3615.XX	080.9124.SY	080.9114.SY
30 MM	030.3612.XX	080.9124.SY	080.9114.SY
35 MM	030.3610.XX	080.9125.SY	080.9114.SY
45 MM	030.3607.XX	080.9124.SY	080.9114.SY

PYROBEL 17EG = 21MM | DGU = 35MM
 PYROBEL 25EG = 30MM | DGU = 45MM

GLAZING TABLE



PYROBEL 17EG = 21MM | DGU = 35MM

PYROBEL 25EG = 30MM | DGU = 45MM

FIGURE 4

GLAZING BEAD PROFILE



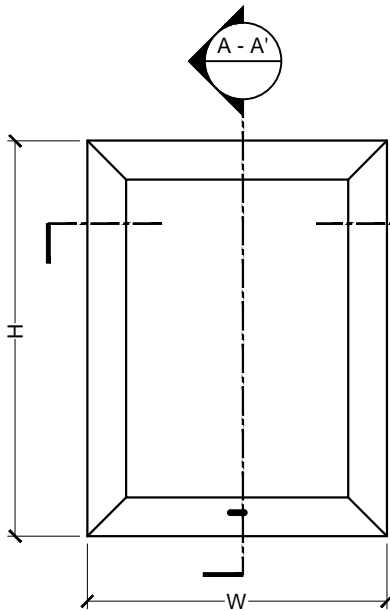
FRR - NOTES

ACMF - SOLAR EDGE
 PO BOX 101 760 NORTH SHORE 0745
 TEL: 09 214 3236 FAX: 09 444 2142
 68 ELLICE ROAD, GLENFIELD

Copyright - ACMF No part of this document may be reproduced, stored in a retrieval system in any form or transmitted by any means without prior permission in writing of ACMF. All discrepancies shall be referred to ACMF immediately.

DATE : NOVEMBER 2023

SCALE : 1 : 2 A4

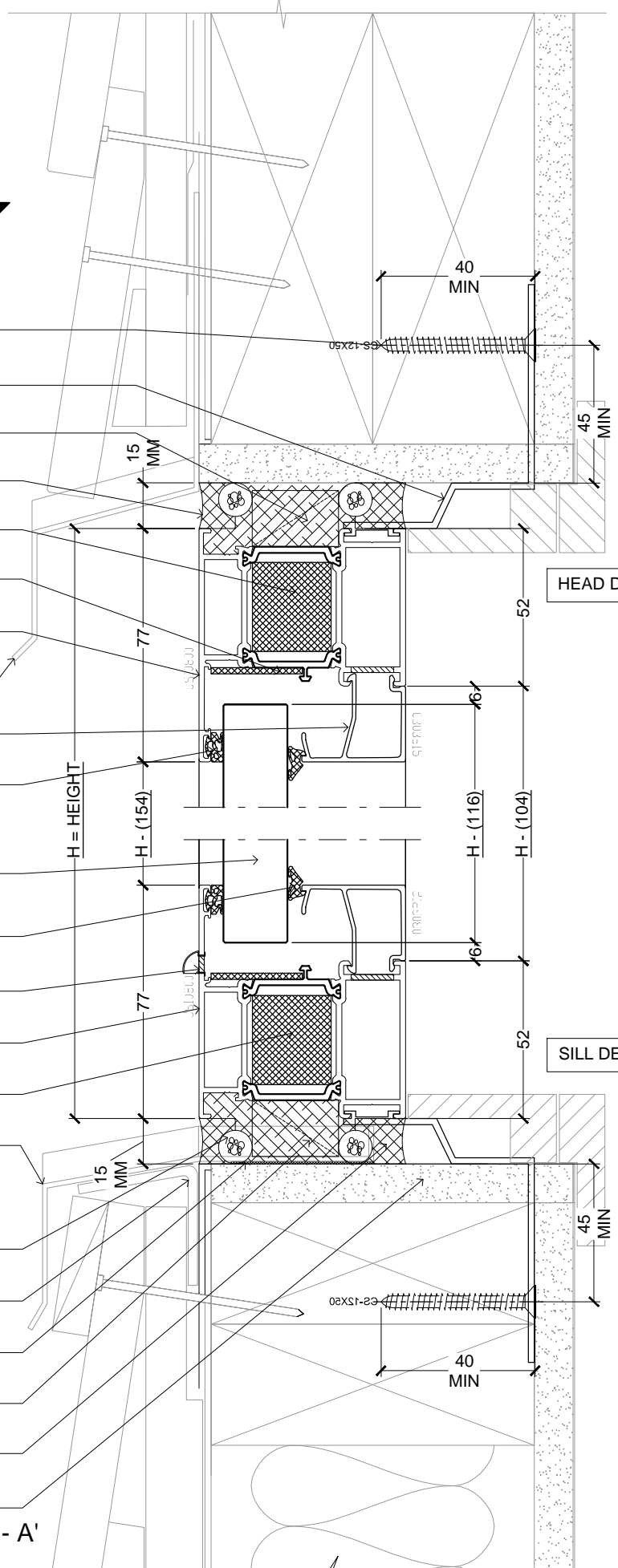


WINDOW ELEVATION

OUTSIDE

- 3.01
- 3.02
- 4.01
- 4.03
- 4.02
- 4.04
- 2.01
- 5.05
- 2.03
- 2.05
- 1.01
- 2.04
- 4.05
- 2.01
- 4.02
- 5.04
- 4.08
- 2.13
- 4.07
- 4.01
- 4.03
- 5.01

SECTION A - A'



HEAD DETAIL

SILL DETAIL

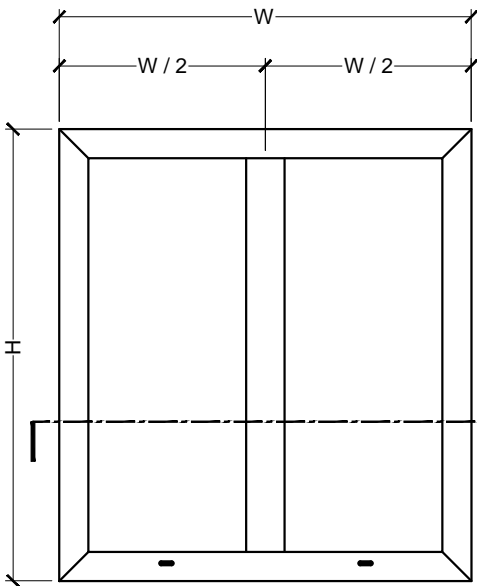


ACMF - SOLAR EDGE
 PO BOX 101 760 NORTH SHORE 0745
 TEL: 09 214 3236 FAX: 09 444 2142
 68 ELLICE ROAD, GLENFIELD

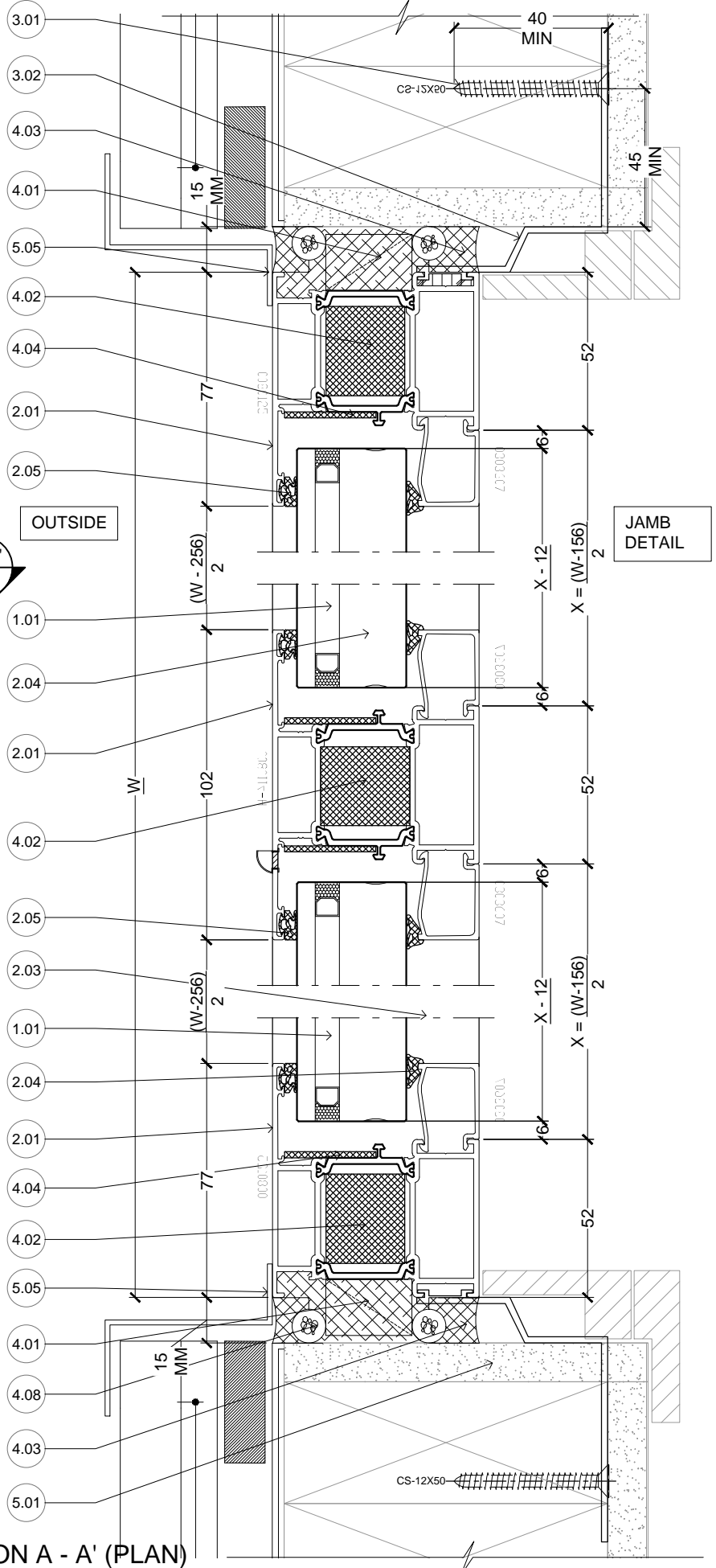
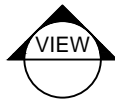
**FRR - FIXED WINDOW
 TYPICAL SECTION DETAILS**

Copyright - ACMF No part of this document may be reproduced, stored in a retrieval system in any form or transmitted by any means without prior permission in writing of ACMF. All discrepancies shall be referred to ACMF immediately.

DATE : NOVEMBER 2023
 SCALE : 1 : 2 A4



WINDOW ELEVATION



SECTION A - A' (PLAN)



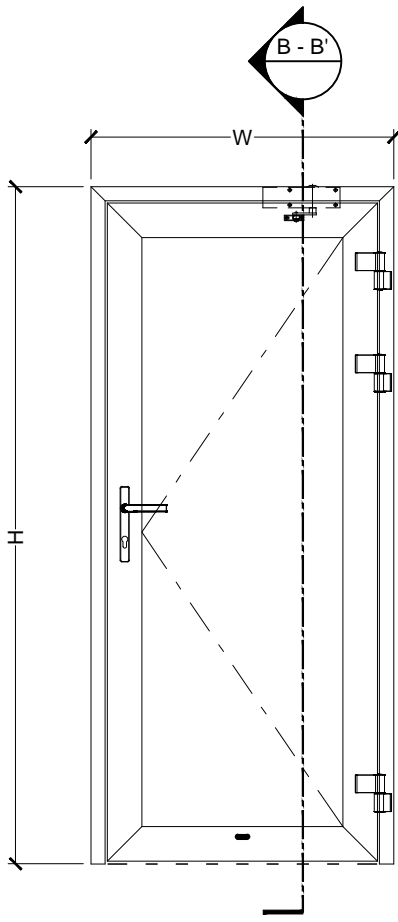
ACMF - SOLAR EDGE
 PO BOX 101 760 NORTH SHORE 0745
 TEL: 09 214 3236 FAX: 09 444 2142
 68 ELLICE ROAD, GLENFIELD

**FRR - WITH CENTER MULLION
 TYPICAL SECTION DETAILS**

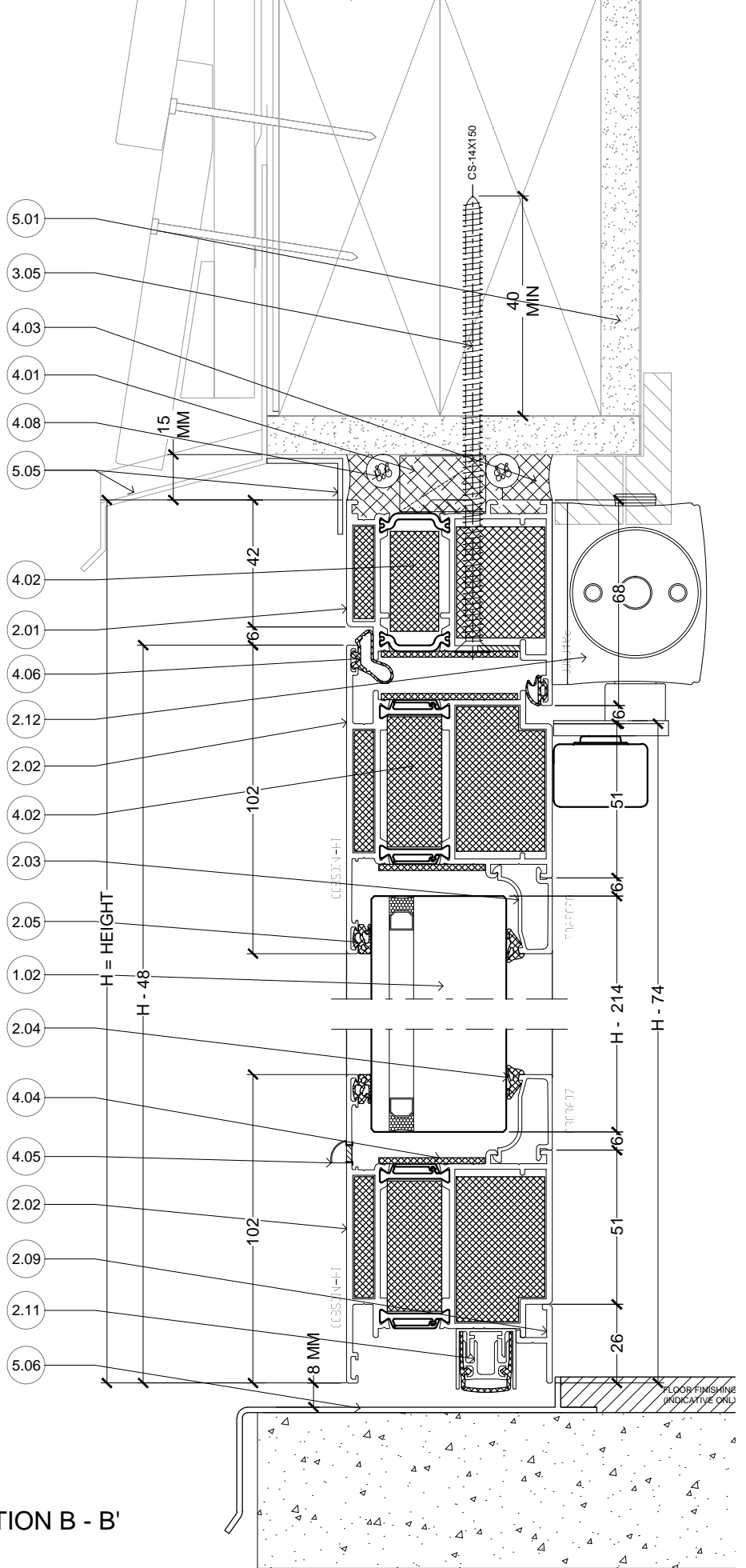
Copyright - ACMF No part of this document may be reproduced, stored in a retrieval system in any form or transmitted by any means without prior permission in writing of ACMF. All discrepancies shall be referred to ACMF immediately.

DATE : NOVEMBER 2023

SCALE : 1 : 2 A4



WINDOW ELEVATION



SECTION B - B'

OUTSIDE



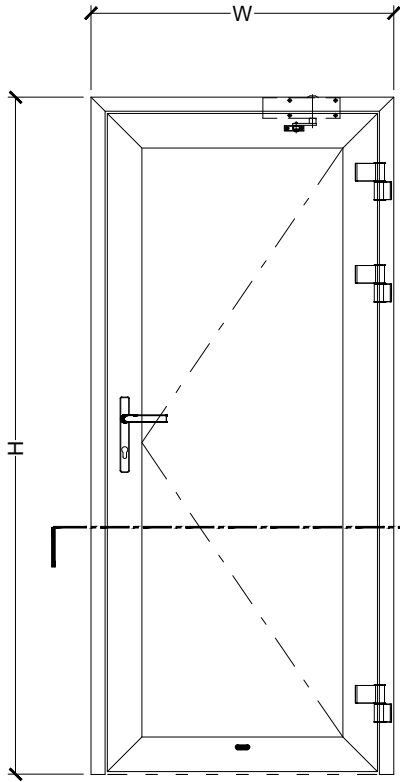
ACMF - SOLAR EDGE
 PO BOX 101 760 NORTH SHORE 0745
 TEL: 09 214 3236 FAX: 09 444 2142
 68 ELLICE ROAD, GLENFIELD

FRR - SINGLE DOOR
 TYPICAL VERTICAL SECTION DETAIL

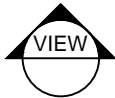
Copyright - ACMF No part of this document may be reproduced, stored in a retrieval system in any form or transmitted by any means without prior permission in writing of ACMF. All discrepancies shall be referred to ACMF immediately.

DATE : NOVEMBER 2023

SCALE : 1 : 2 A4

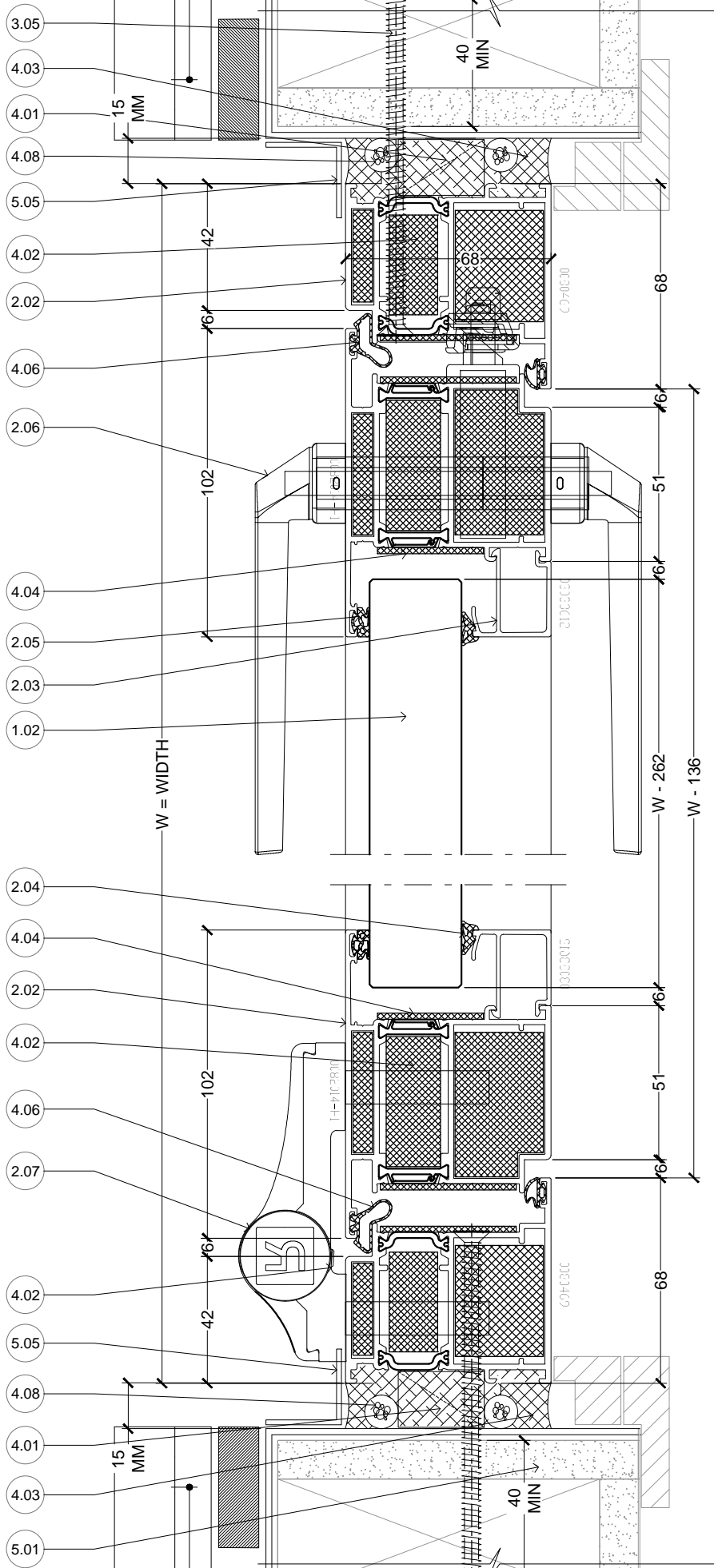


WINDOW ELEVATION



OUTSIDE

SECTION A - A' (PLAN)



**FRR - SINGLE DOOR
TYPICAL HORIZONTAL SECTION DETAIL**

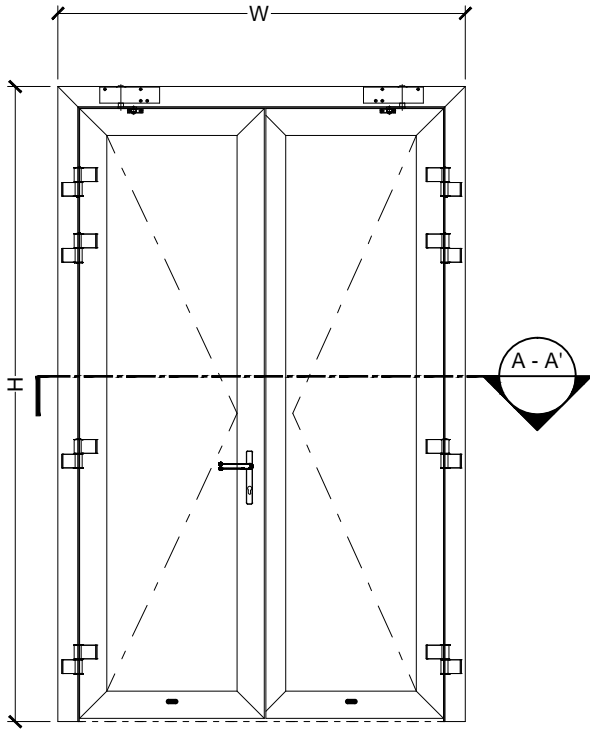
Copyright - ACMF No part of this document may be reproduced, stored in a retrieval system in any form or transmitted by any means without prior permission in writing of ACMF. All discrepancies shall be referred to ACMF immediately.

DATE : NOVEMBER 2023

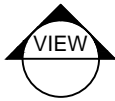
SCALE : 1 : 2 A4



ACMF - SOLAR EDGE
PO BOX 101 760 NORTH SHORE 0745
TEL: 09 214 3236 FAX: 09 444 2142
68 ELLICE ROAD, GLENFIELD

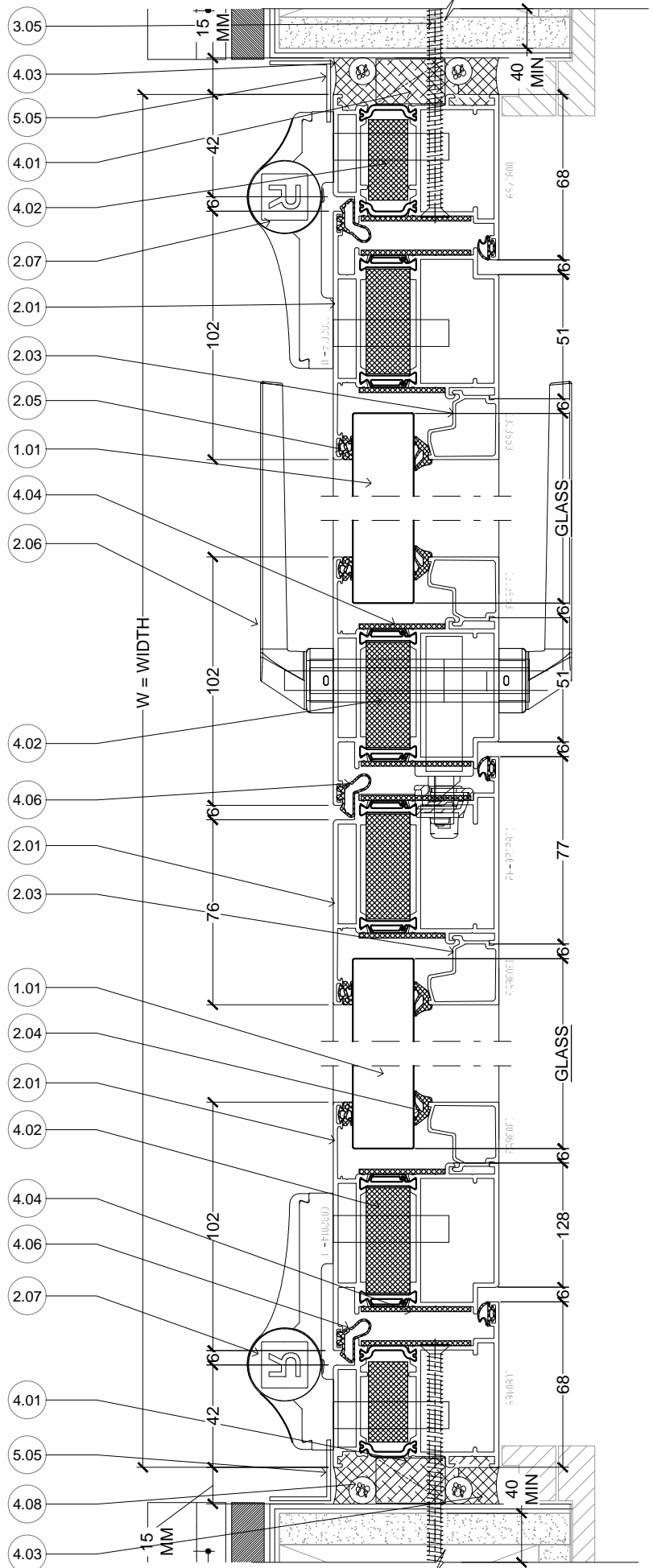


WINDOW ELEVATION



OUTSIDE

SECTION A - A' (PLAN)



ACMF - SOLAR EDGE
 PO BOX 101 760 NORTH SHORE 0745
 TEL: 09 214 3236 FAX: 09 444 2142
 68 ELLICE ROAD, GLENFIELD

**FRR - DOUBLE DOOR
 TYPICAL HORIZONTAL SECTION DETAIL**

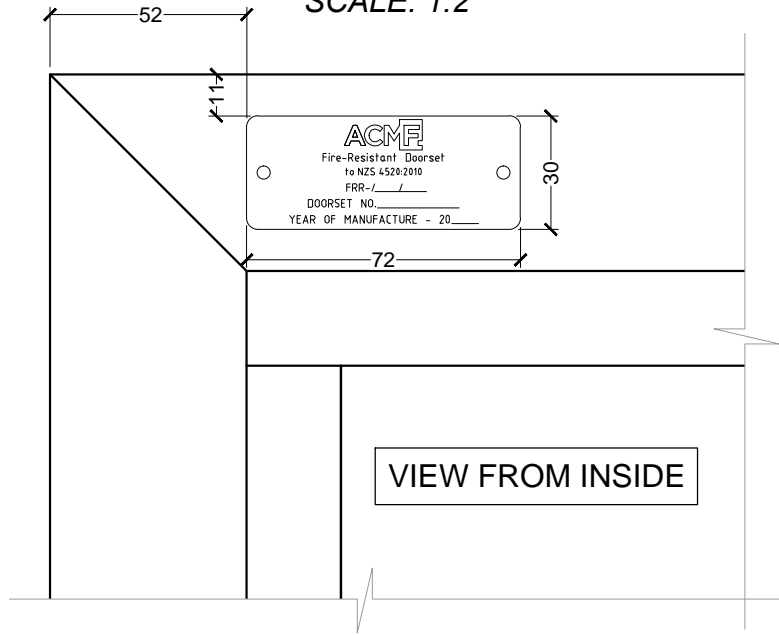
Copyright - ACMF No part of this document may be reproduced, stored in a retrieval system in any form or transmitted by any means without prior permission in writing of ACMF. All discrepancies shall be referred to ACMF immediately.

DATE : NOVEMBER 2023

SCALE : 1 : 2.5 A4

LABEL FIXING INSTALLATION GUIDE

SCALE: 1:2



3.04

ACMF

Fire-Resistant Doorset
to NZS 4520:2010
FRR- / XX / XX
DOORSET NO. XXX - XX
YEAR OF MANUFACTURE - 20XX

3.04

ACMF

Fire-Resistant Glazing Systems
to NZS 4232:- Part 2: 1988
FRR- / XX / XX
WINDOW NO. XXX - XX
YEAR OF MANUFACTURE - 20XX

**FIRE RESISTANT LABELS
TO BE ATTACHED ON THE INTERIOR-LEFT
HAND CORNER OF THE FRR FRAME**



ACMF - SOLAR EDGE
PO BOX 101 760 NORTH SHORE 0745
TEL: 09 214 3236 FAX: 09 444 2142
68 ELLICE ROAD, GLENFIELD

FIRE RESISTANT LABELS

Copyright - ACMF No part of this document may be reproduced, stored in a retrieval system in any form or transmitted by any means without prior permission in writing of ACMF. All discrepancies shall be referred to ACMF immediately.

DATE : NOVEMBER 2023

SCALE : 2:1