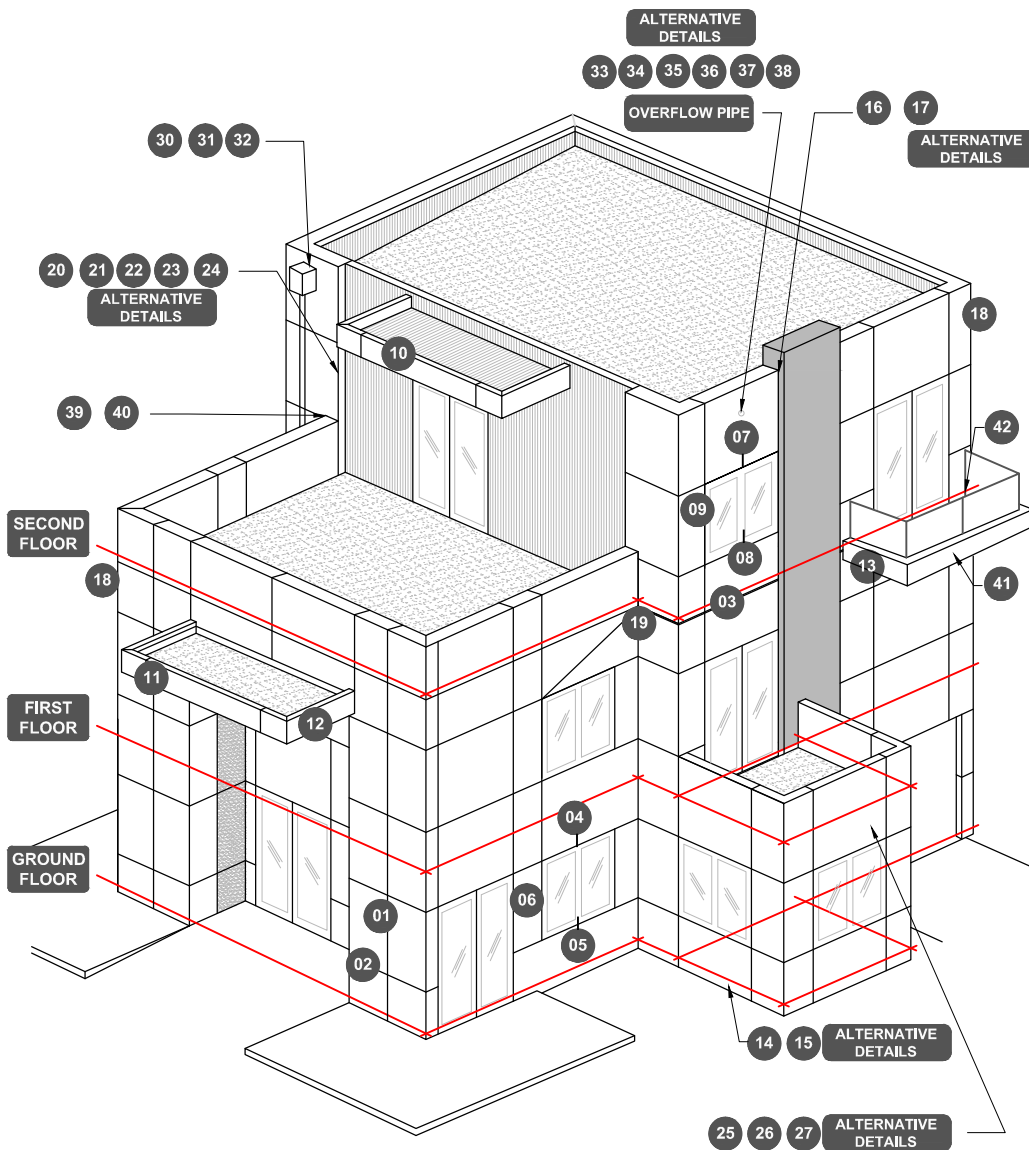


CONTENT PAGE



01	TYPICAL VERTICAL JOINT DETAIL
02	TYPICAL HORIZONTAL JOINT DETAIL
03	15 mm OPEN DRAINAGE JOINT
04	RESIDENTIAL WINDOW HEAD DETAIL
05	RESIDENTIAL WINDOW SILL DETAIL
06	RESIDENTIAL WINDOW JAMB DETAIL
07	COMMERCIAL WINDOW HEAD DETAIL
08	COMMERCIAL WINDOW SILL DETAIL
09	COMMERCIAL WINDOW JAMB DETAIL
10	FASCIA AND SOFFIT (METAL ROOF)
11	FASCIA AND SOFFIT (MEMBRANE ROOF)
12	SOFFIT WALL/JUNCTION DETAIL 1
13	SOFFIT WALL/JUNCTION DETAIL 2
14	BASE CLEARANCE / DETAIL 1
15	BASE DETAIL 2
16	ACM/PRECAST JUNCTION DET. 1
17	ACM/PRECAST JUNCTION DET. 2
18	EXTERNAL CORNER DETAIL
19	INTERNAL CORNER DETAIL 1
20	INTERNAL CORNER DETAIL 2
21	INTERNAL CORNER DETAIL 3
22	INTERNAL CORNER DETAIL 4
23	ACM WALL JUNCTION DETAIL 1
24	ACM WALL JUNCTION DETAIL 2
25	WINDOW HEAD DETAIL (ALTERNATIVE DET)
26	WINDOW HEAD DETAIL (ALTERNATIVE DET)
27	WINDOW HEAD DETAIL (ALTERNATIVE DET)
28	X
29	X
30	RAIN HEAD/OUTLET THROUGH WALL DETAIL
31	TYPICAL RAIN HEAD PLAN
32	DOWNPIPE / ACM FIXING DETAIL
33	PENETRATION DETAIL
34	PENETRATION DETAIL
35	PENETRATION DETAIL
36	PENETRATION DETAIL
37	PENETRATION DETAIL
38	PENETRATION DETAIL
39	SADDLE FLASHING DETAIL
40	SADDLE FLASHING DETAIL
41	BALUSTRADE DETAIL
42	DECK DETAIL
43	COMMERCIAL WINDOW SILL DETAIL - RECESSED
44	ACM TO ACM CONNECTION
1000	JOINT WITH EDGE SUPPORT DETAIL

NOTE

ROUT AND RETURN IS TO BE USED WITHIN THE CONSTRAINTS OF NZS3604. TESTED TO NZS4284 1500KPA ULS.



DRAWING TITLE

DIAGRAMMATIC INDEX AND CONTENT PAGE

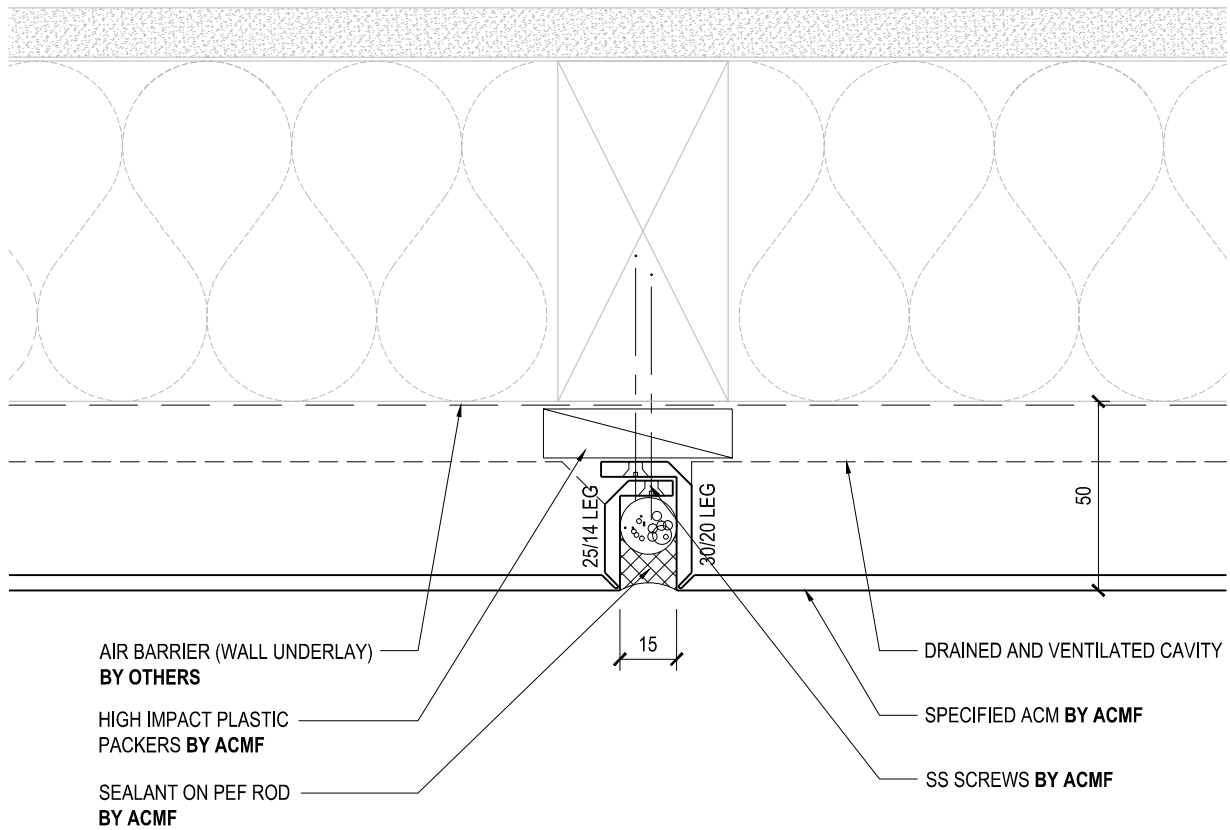
DRAWING STATUS

ARCHITECTURAL RESOURCE

SHEET NO.	ISSUE
00	A

SCALE: 1:2

DATE: JUNE 2017



DRAWING TITLE

STANDARD VERTICAL JOINT DETAIL

DRAWING STATUS

ARCHITECTURAL
RESOURCE

SHEET NO.

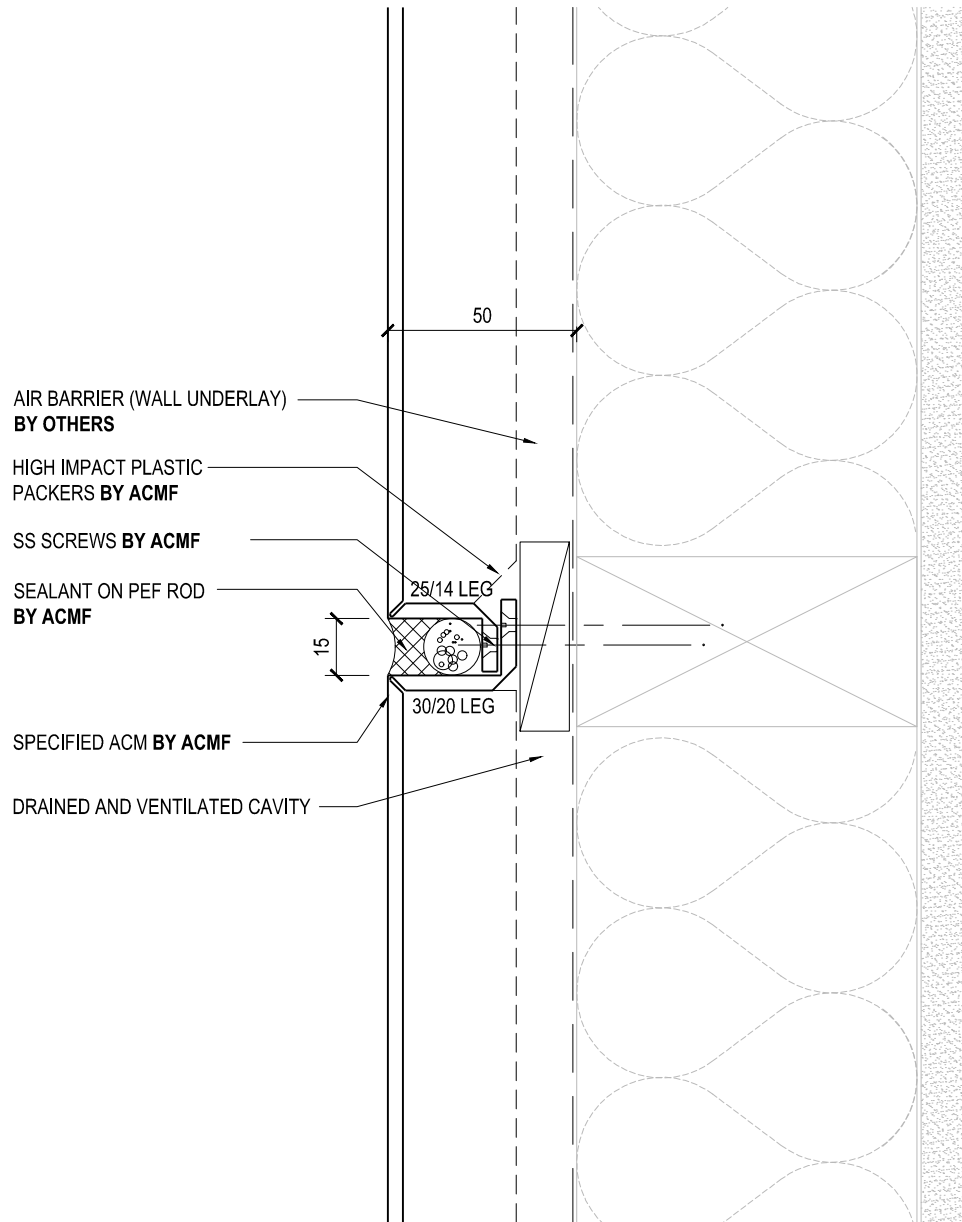
01

ISSUE

A

SCALE: 1:2

DATE: JUNE 2017



DRAWING TITLE

STANDARD HORIZONTAL JOINT DETAIL

DRAWING STATUS

ARCHITECTURAL
RESOURCE

SHEET NO.

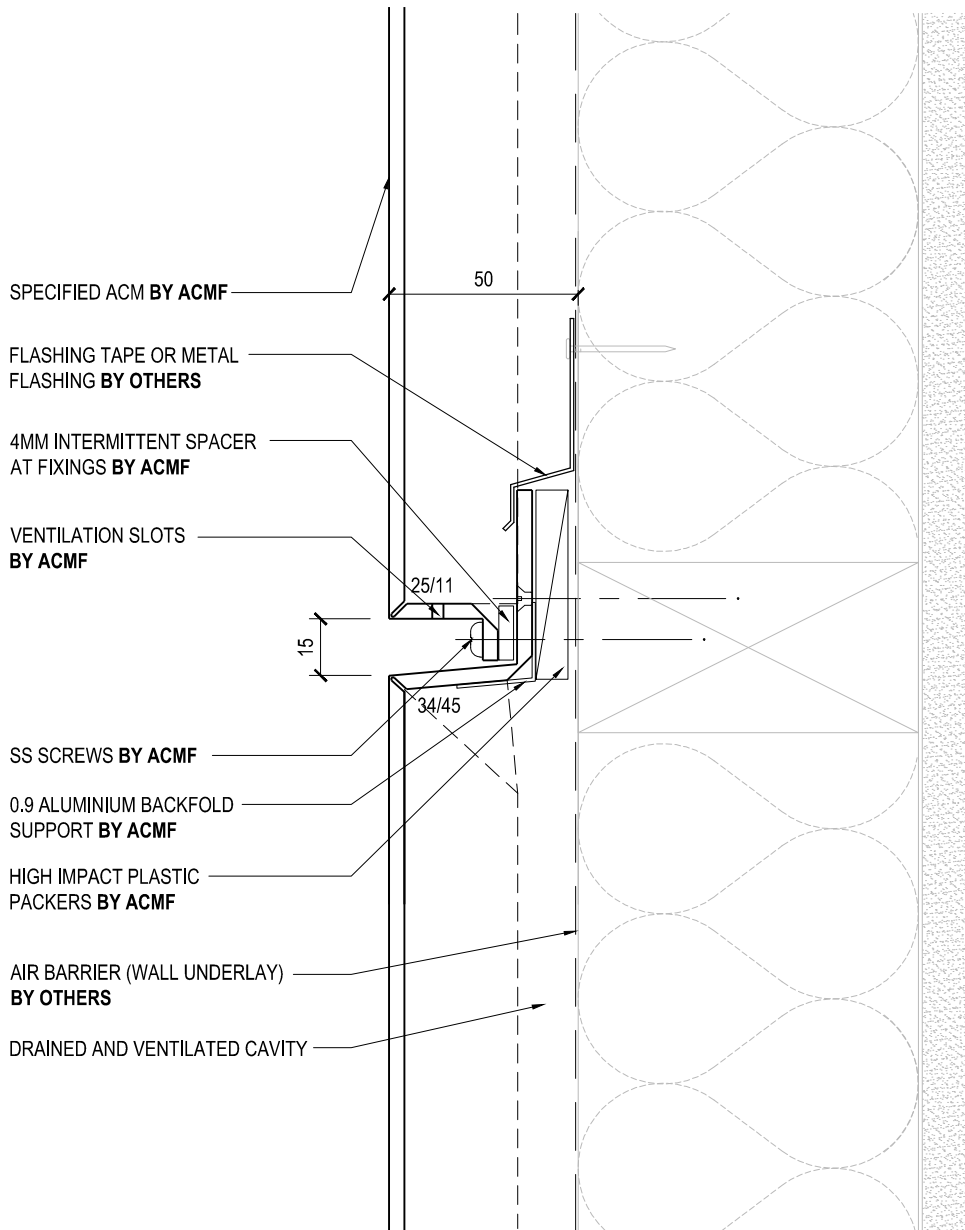
02

ISSUE

A

SCALE: 1:2

DATE: JUNE 2017



NOTE

- OPEN DRAINAGE JOINT IS ONLY REQUIRED ON HIGHRISE BUILDINGS AT EVERY SECOND FLOOR LEVEL. FOR BUILDINGS WHERE THE ACM WALL SPANS OVER MORE THAN 3 STOREYS HIGH



DRAWING TITLE

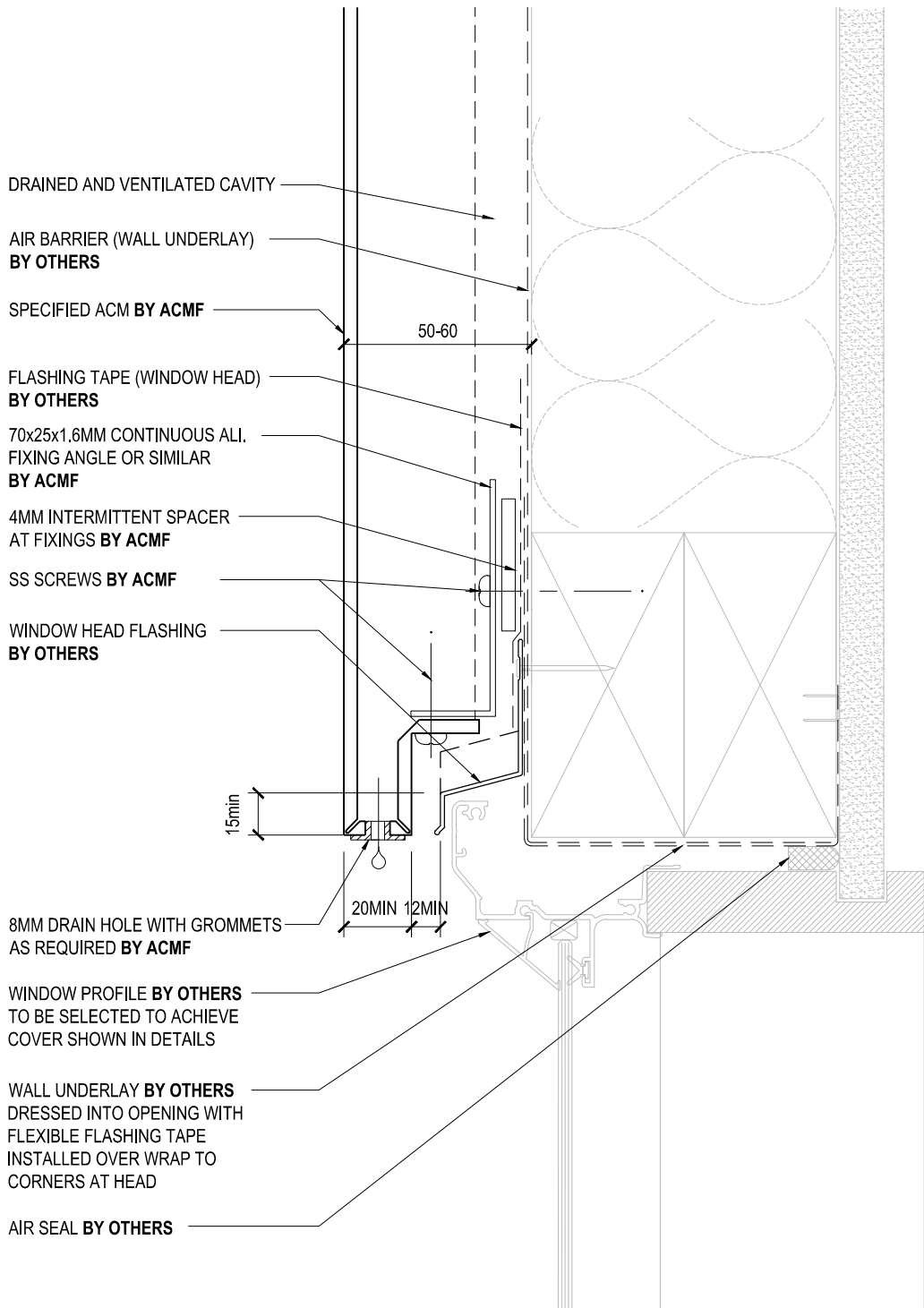
15mm OPEN JOINT DETAIL

DRAWING STATUS

ARCHITECTURAL RESOURCE

SCALE: 1:2	DATE: JUNE 2017
------------	-----------------

SHEET NO. 03	ISSUE A
--------------	---------



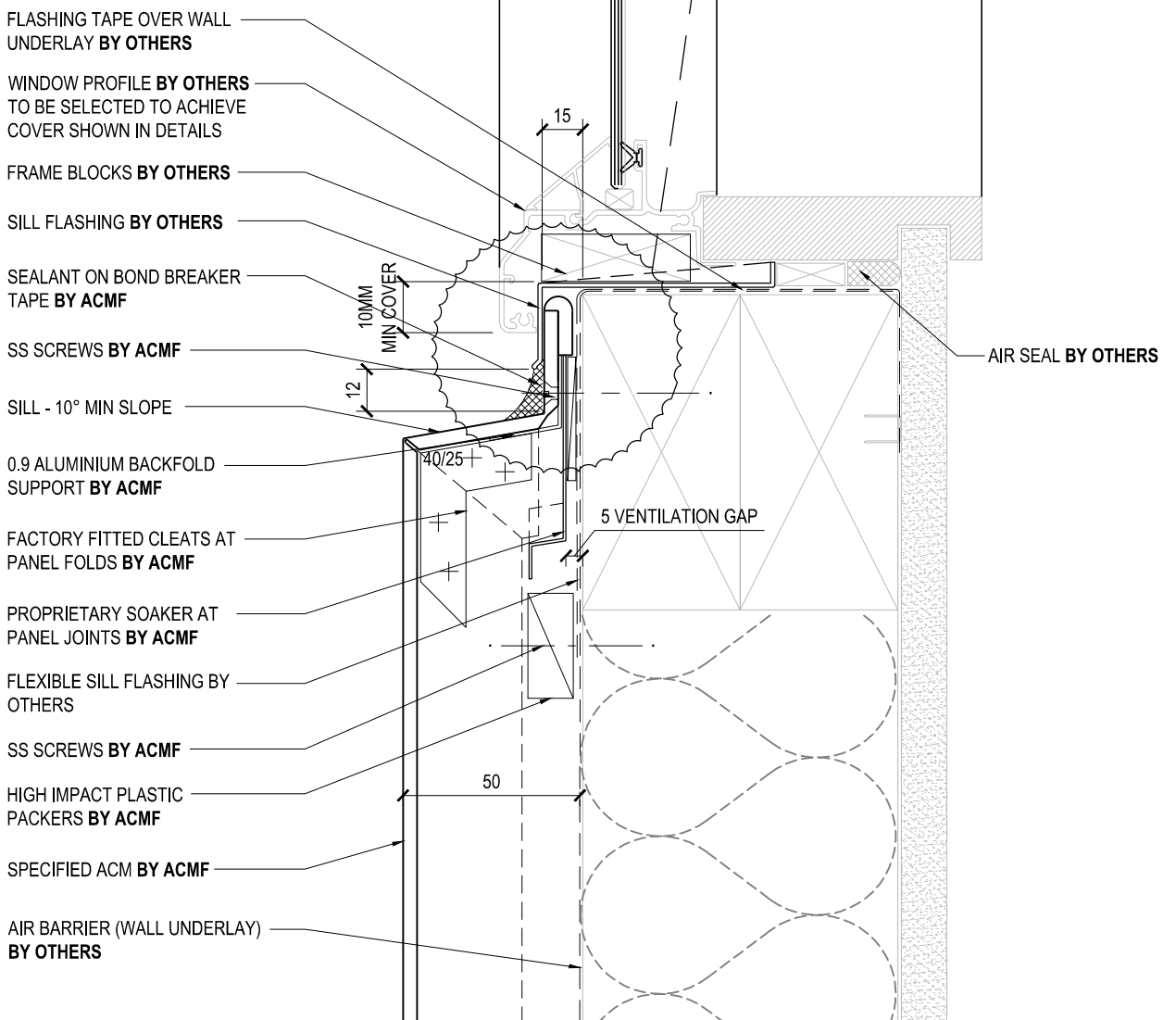
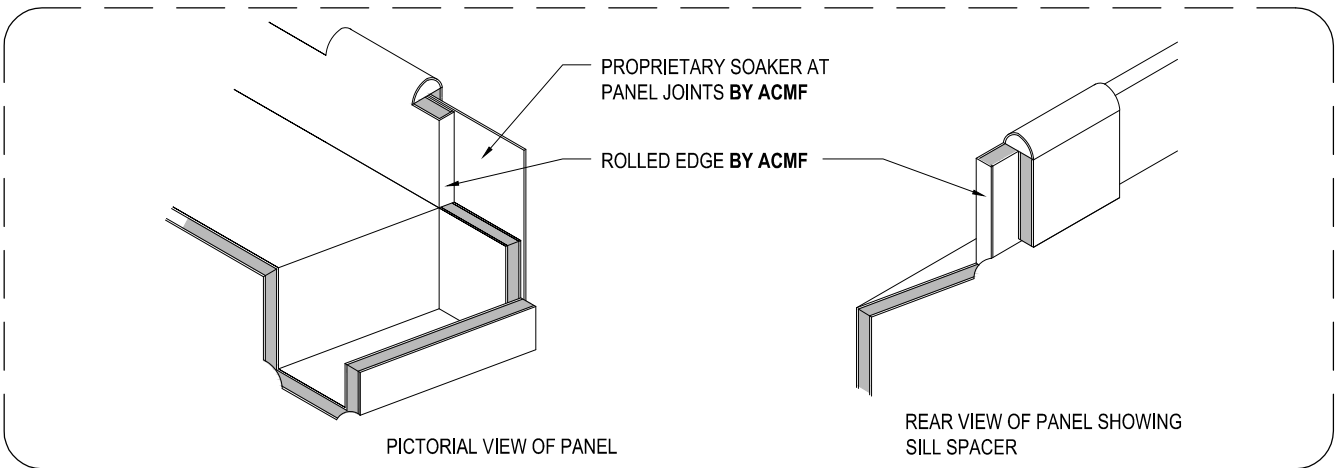
DRAWING TITLE

**RESIDENTIAL WINDOW HEAD
DETAIL**

DRAWING STATUS

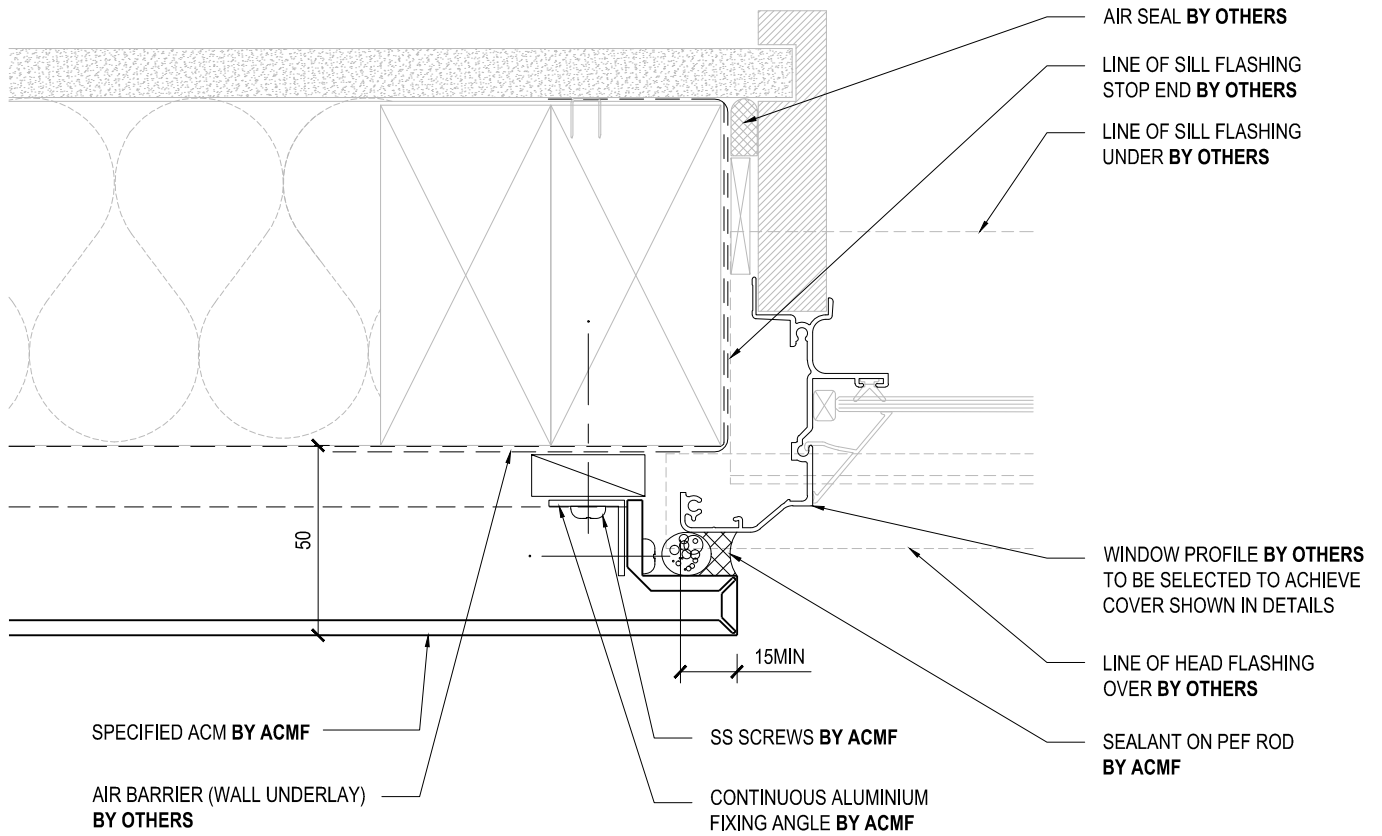
**ARCHITECTURAL
RESOURCE**

SHEET NO. **04** ISSUE **A**



DRAWING TITLE	RESIDENTIAL WINDOW SILL DETAIL
---------------	--------------------------------

DRAWING STATUS	ARCHITECTURAL RESOURCE	SHEET NO.	05	ISSUE	A
	SCALE: 1:2		DATE: JUNE 2017		



DRAWING TITLE

RESIDENTIAL WINDOW JAMB DETAIL

DRAWING STATUS

**ARCHITECTURAL
RESOURCE**

SHEET NO.

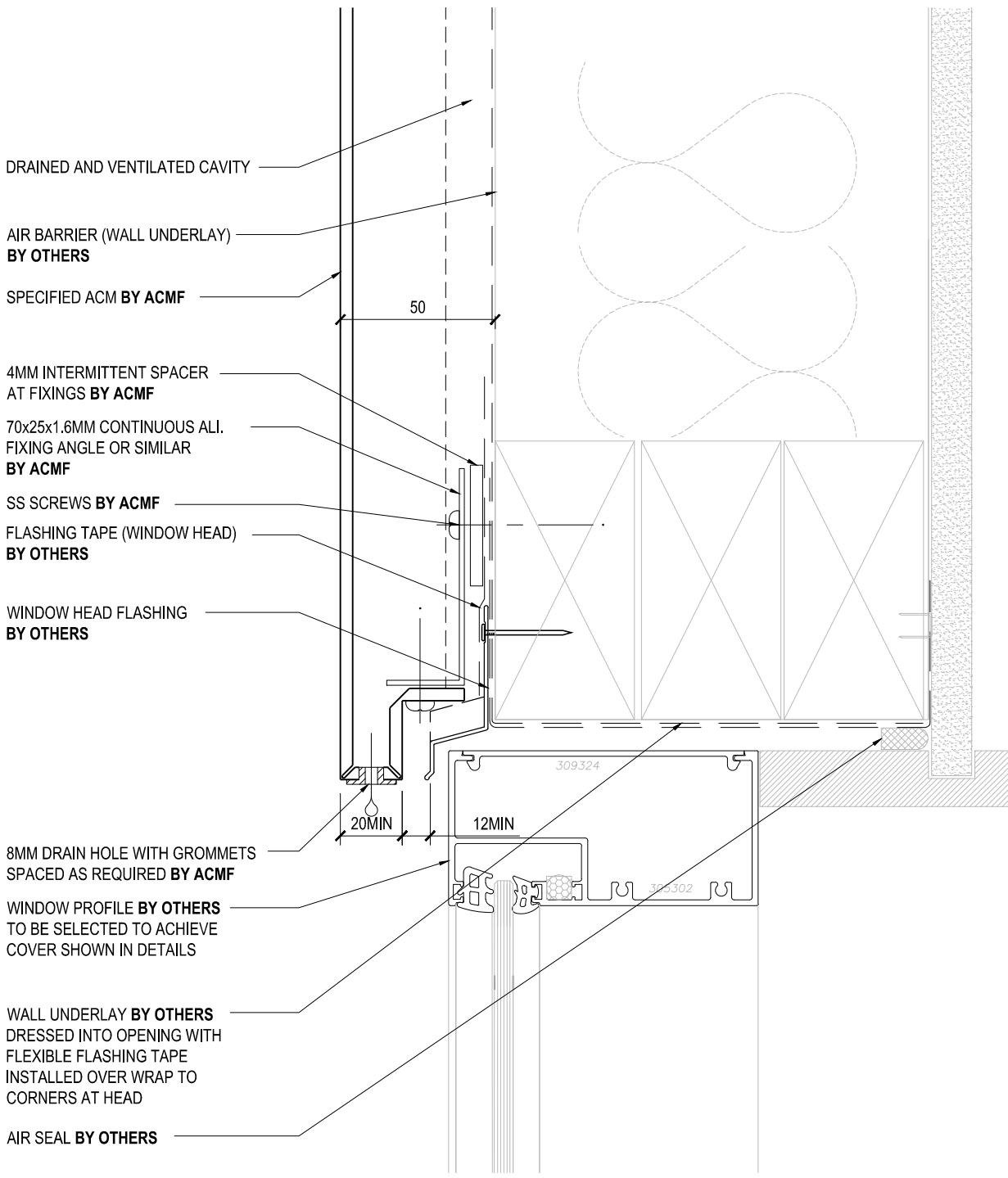
06

ISSUE

A

SCALE: 1:2

DATE: JUNE 2017



DRAINED AND VENTILATED CAVITY

AIR BARRIER (WALL UNDERLAY)
BY OTHERS

SPECIFIED ACM BY ACMF

50

4MM INTERMITTENT SPACER
AT FIXINGS BY ACMF

70x25x1.6MM CONTINUOUS ALI.
FIXING ANGLE OR SIMILAR
BY ACMF

SS SCREWS BY ACMF

FLASHING TAPE (WINDOW HEAD)
BY OTHERS

WINDOW HEAD FLASHING
BY OTHERS

8MM DRAIN HOLE WITH GROMMETS
SPACED AS REQUIRED BY ACMF

20MIN

12MIN

WINDOW PROFILE BY OTHERS
TO BE SELECTED TO ACHIEVE
COVER SHOWN IN DETAILS

309324

309302

WALL UNDERLAY BY OTHERS
DRESSED INTO OPENING WITH
FLEXIBLE FLASHING TAPE
INSTALLED OVER WRAP TO
CORNERS AT HEAD

AIR SEAL BY OTHERS



DRAWING TITLE

COMMERCIAL WINDOW HEAD DETAIL

DRAWING STATUS

ARCHITECTURAL
RESOURCE

SHEET NO.

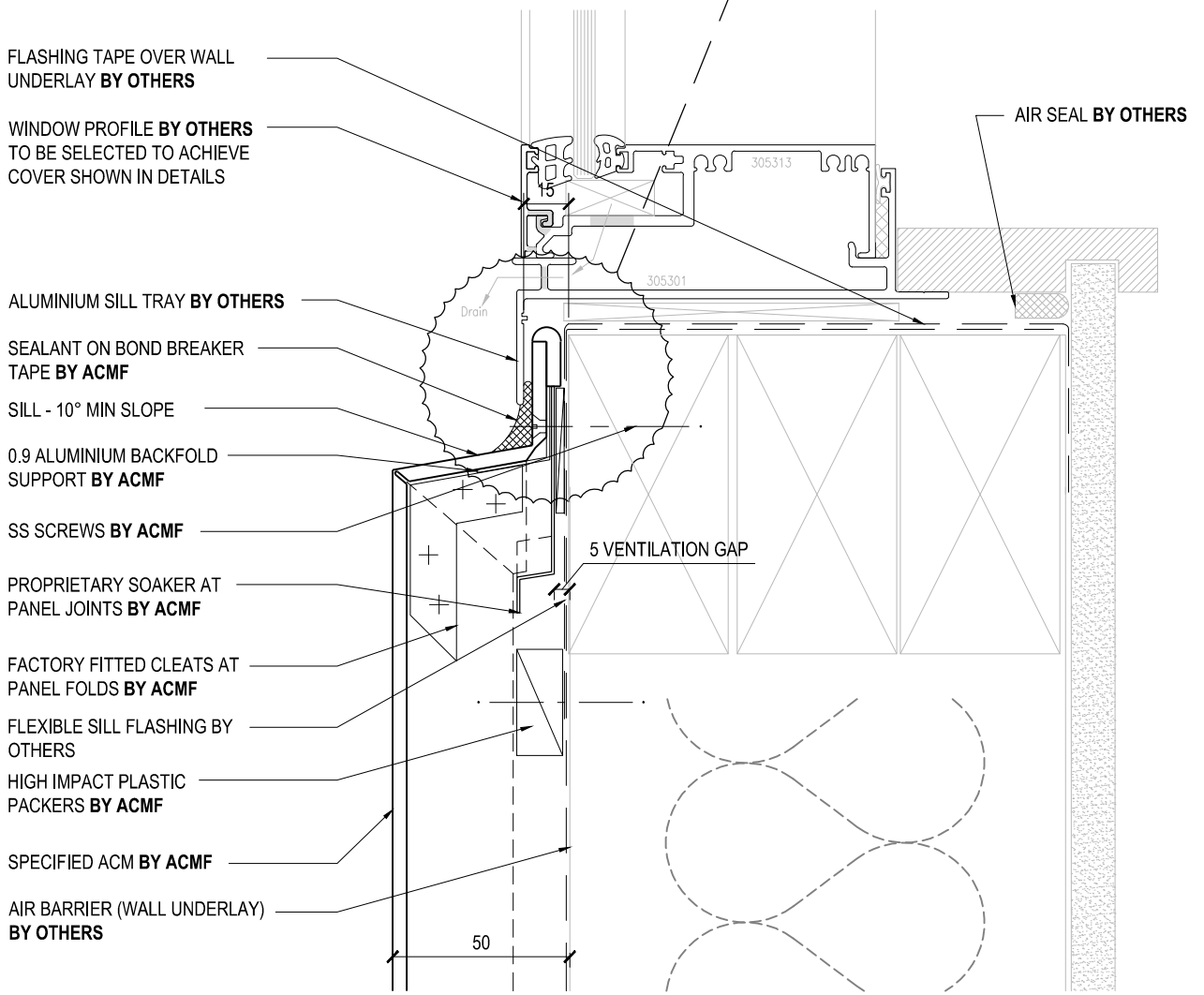
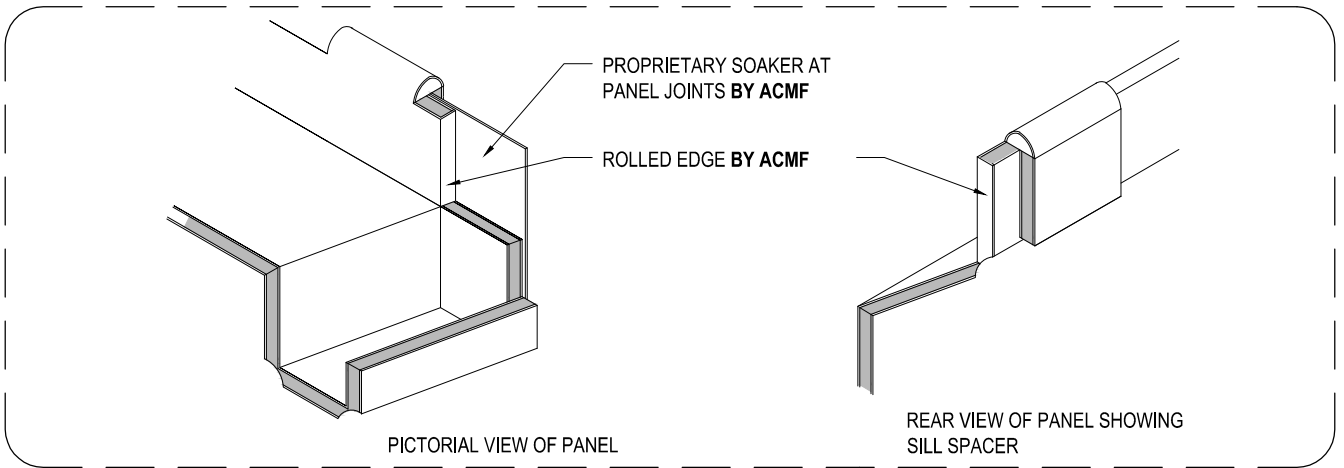
07

ISSUE

A

SCALE: 1:2

DATE: JUNE 2017



DRAWING TITLE

COMMERCIAL WINDOW SILL
DETAIL

DRAWING STATUS

ARCHITECTURAL
RESOURCE

SHEET NO.

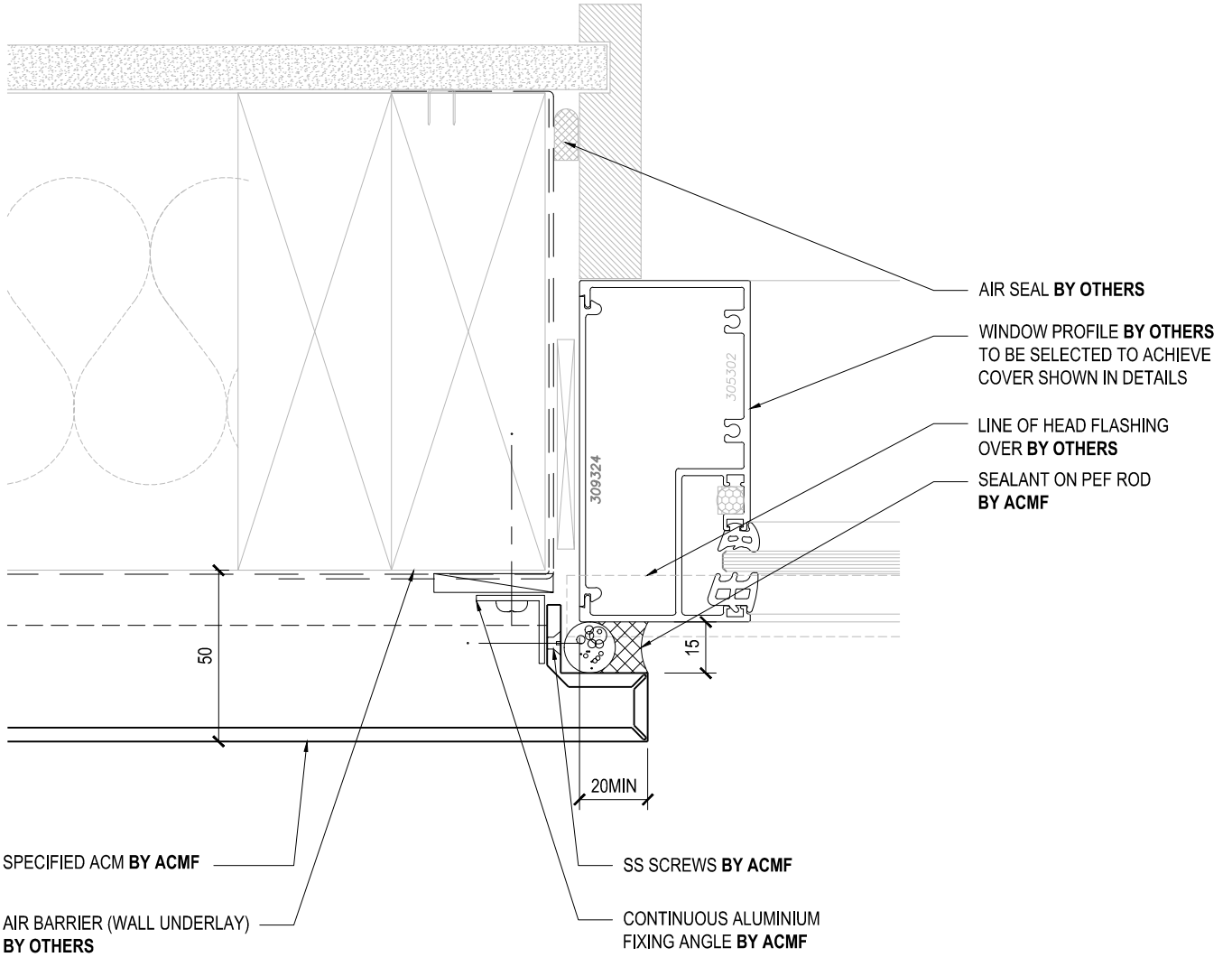
08

ISSUE

A

SCALE: 1:2

DATE: JUNE 2017



DRAWING TITLE

COMMERCIAL WINDOW JAMB DETAIL

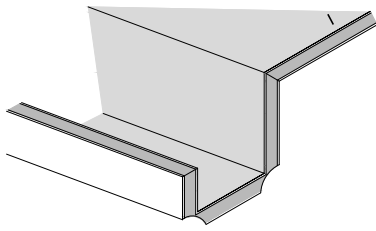
DRAWING STATUS

ARCHITECTURAL
RESOURCE

SHEET NO.	ISSUE
09	A

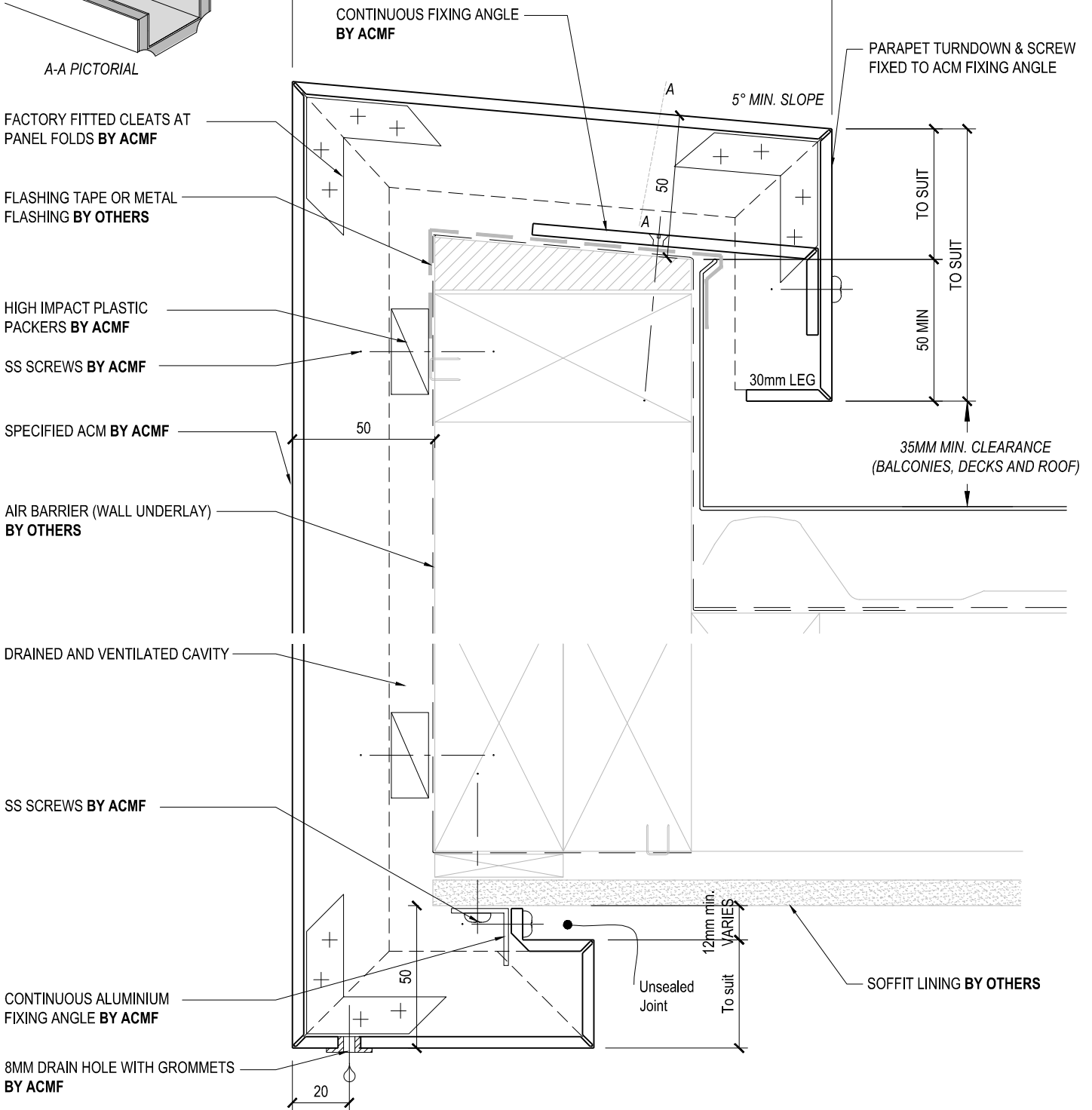
SCALE: 1:2

DATE: JUNE 2017



A-A PICTORIAL

SIZE TO SUIT STRUCTURE (MIN 150MM MAX 300MM -
FOR SIZES EXCEEDING 300MM REFER TO SHEET 1000)



DRAWING TITLE

FASCIA AND SOFFIT DETAIL

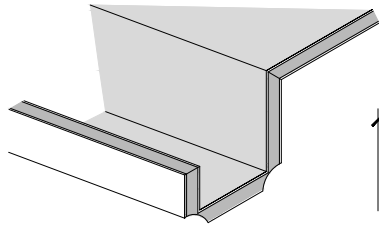
DRAWING STATUS

ARCHITECTURAL
RESOURCE

SHEET NO.	ISSUE
10	A

SCALE: 1:2

DATE: JUNE 2017



A-A PICTORIAL

SIZE TO SUIT STRUCTURE (MIN 150MM MAX 300MM - FOR SIZES EXCEEDING 300MM REFER TO SHEET 1000)

PARAPET TURNDOWN & SCREW FIXED TO ACM FIXING ANGLE

CONTINUOUS FIXING ANGLE BY ACMF

FACTORY FITTED CLEATS AT PANEL FOLDS BY ACMF

WATERPROOFING MEMBRANE BY OTHERS

HIGH IMPACT PLASTIC PACKERS BY ACMF

SS SCREWS BY ACMF

SPECIFIED ACM BY ACMF

AIR BARRIER (WALL UNDERLAY) BY OTHERS

DRAINED AND VENTILATED CAVITY

SS SCREWS BY ACMF

VENTILATION SLOTS BY ACMF

8MM DRAIN HOLE WITH GROMMETS BY ACMF

5° MIN. SLOPE

TO SUIT
TO SUIT

35MM MIN. CLEARANCE (BALCONIES, DECKS AND ROOF)

20

15 OPEN JOINT



DRAWING TITLE

FASCIA AND SOFFIT DETAIL

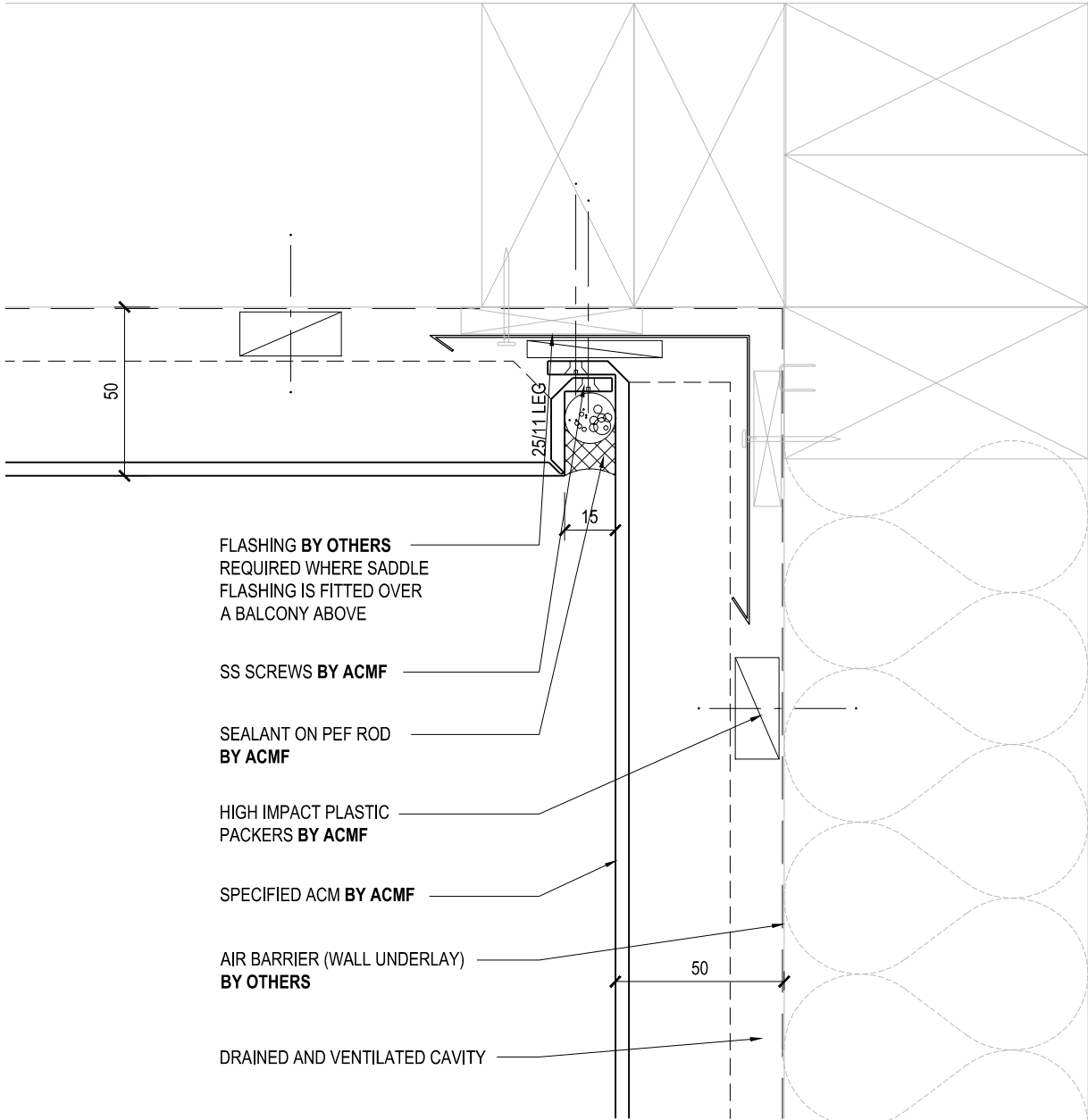
DRAWING STATUS

ARCHITECTURAL RESOURCE

SHEET NO.	ISSUE
11	A

SCALE: 1:2

DATE: JUNE 2017



FLASHING BY OTHERS
 REQUIRED WHERE SADDLE
 FLASHING IS FITTED OVER
 A BALCONY ABOVE

SS SCREWS BY ACMF

SEALANT ON PEF ROD
 BY ACMF

HIGH IMPACT PLASTIC
 PACKERS BY ACMF

SPECIFIED ACM BY ACMF

AIR BARRIER (WALL UNDERLAY)
 BY OTHERS

DRAINED AND VENTILATED CAVITY



DRAWING TITLE

SOFFIT / WALL JUNCTION DETAIL

DRAWING STATUS

ARCHITECTURAL
 RESOURCE

SHEET NO.

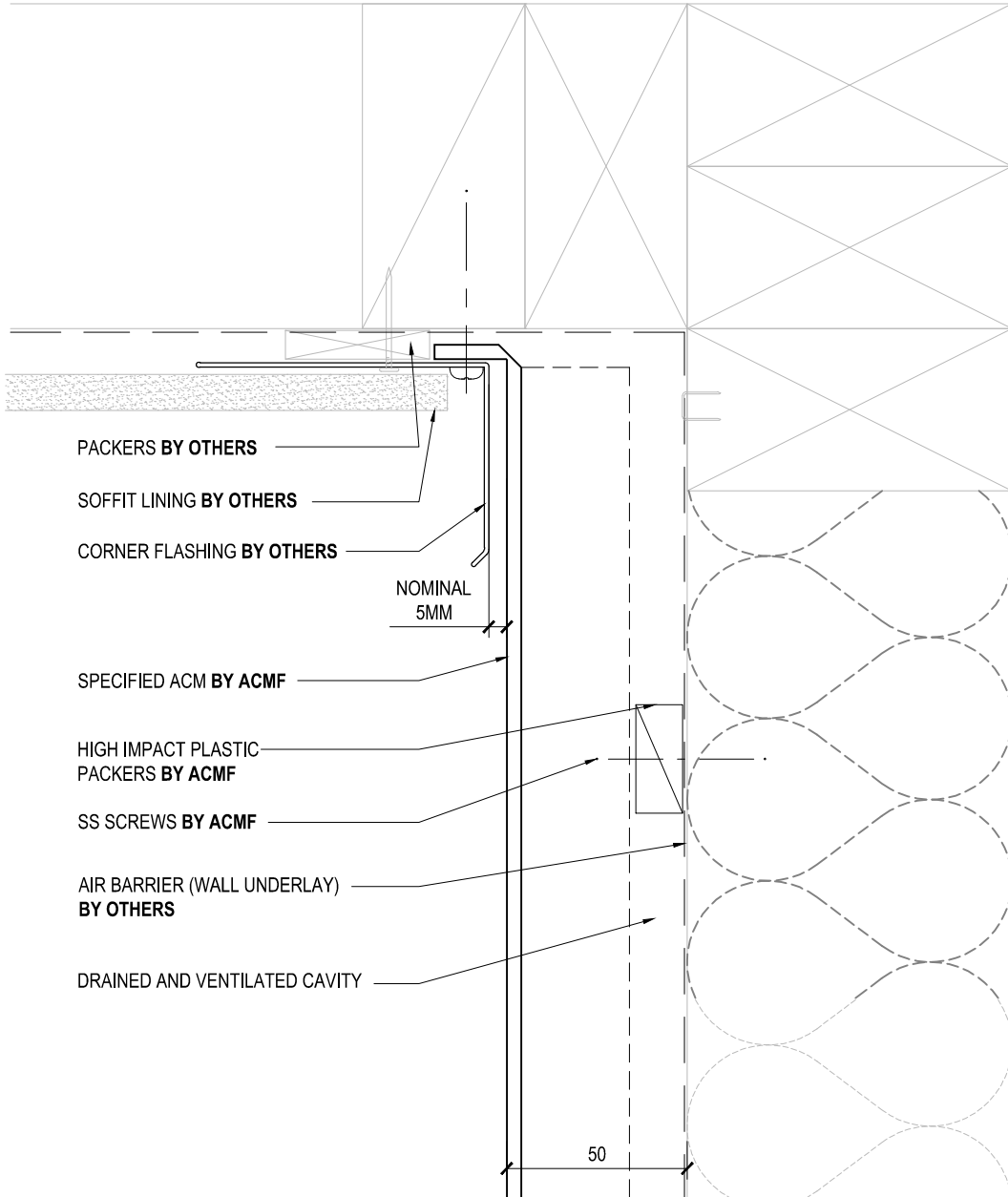
12

ISSUE

A

SCALE: 1:2

DATE: JUNE 2017



PACKERS BY OTHERS

SOFFIT LINING BY OTHERS

CORNER FLASHING BY OTHERS

NOMINAL
5MM

SPECIFIED ACM BY ACMF

HIGH IMPACT PLASTIC
PACKERS BY ACMF

SS SCREWS BY ACMF

AIR BARRIER (WALL UNDERLAY)
BY OTHERS

DRAINED AND VENTILATED CAVITY

50



DRAWING TITLE

SOFFIT / WALL JUNCTION DETAIL

DRAWING STATUS

ARCHITECTURAL
RESOURCE

SHEET NO.

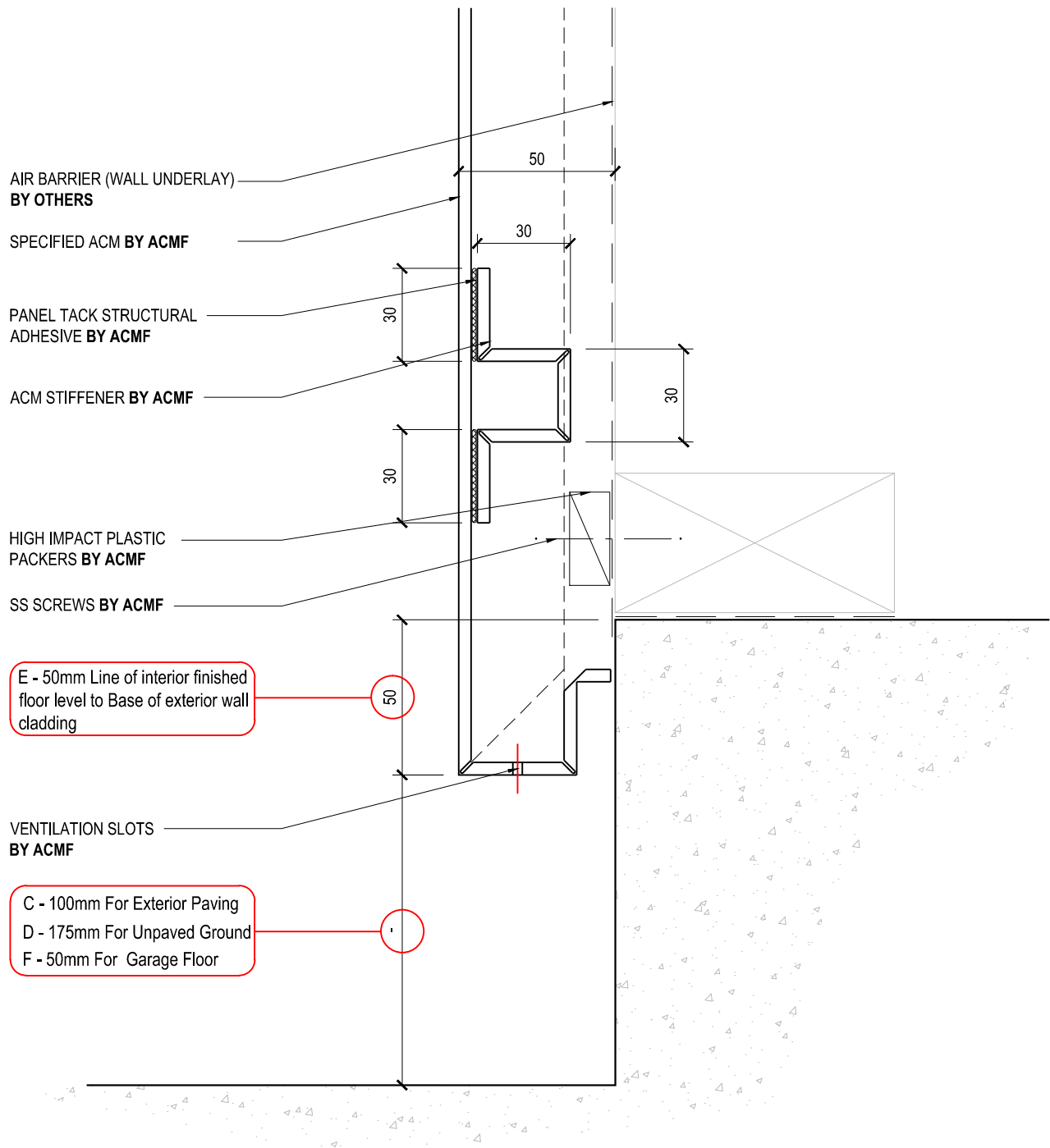
13

ISSUE

A

SCALE: 1:2

DATE: JUNE 2017



AIR BARRIER (WALL UNDERLAY)
BY OTHERS

SPECIFIED ACM BY ACMF

PANEL TACK STRUCTURAL
ADHESIVE BY ACMF

ACM STIFFENER BY ACMF

HIGH IMPACT PLASTIC
PACKERS BY ACMF

SS SCREWS BY ACMF

E - 50mm Line of interior finished
floor level to Base of exterior wall
cladding

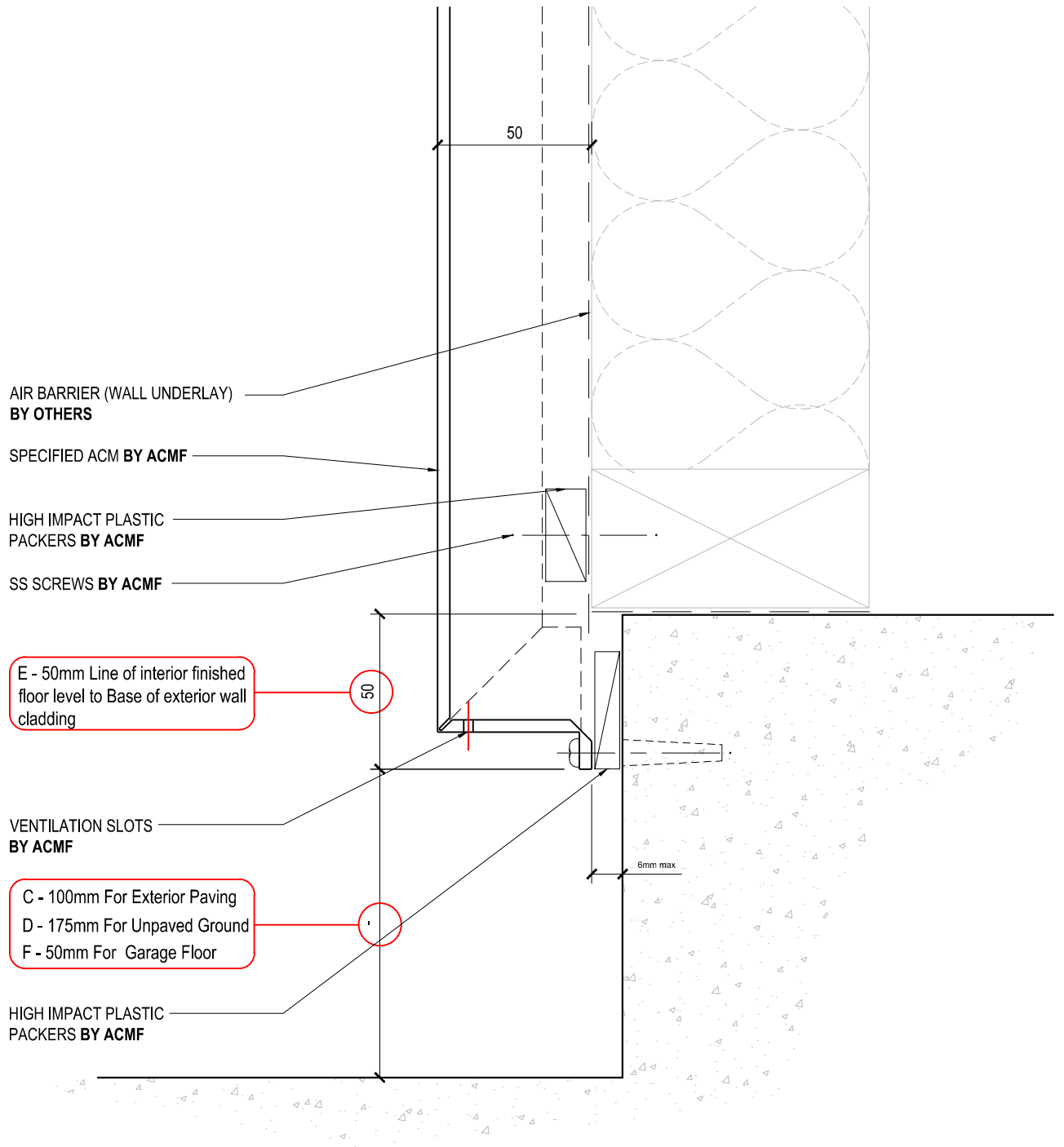
VENTILATION SLOTS
BY ACMF

C - 100mm For Exterior Paving
D - 175mm For Unpaved Ground
F - 50mm For Garage Floor



DRAWING TITLE	BASE CLEARANCE DETAIL 1
---------------	-------------------------

DRAWING STATUS	ARCHITECTURAL RESOURCE	SHEET NO.	14	ISSUE	A
SCALE:	1:2	DATE:	JUNE 2017		



DRAWING TITLE

BASE CLEARANCE DETAIL 2

DRAWING STATUS

ARCHITECTURAL
RESOURCE

SHEET NO.

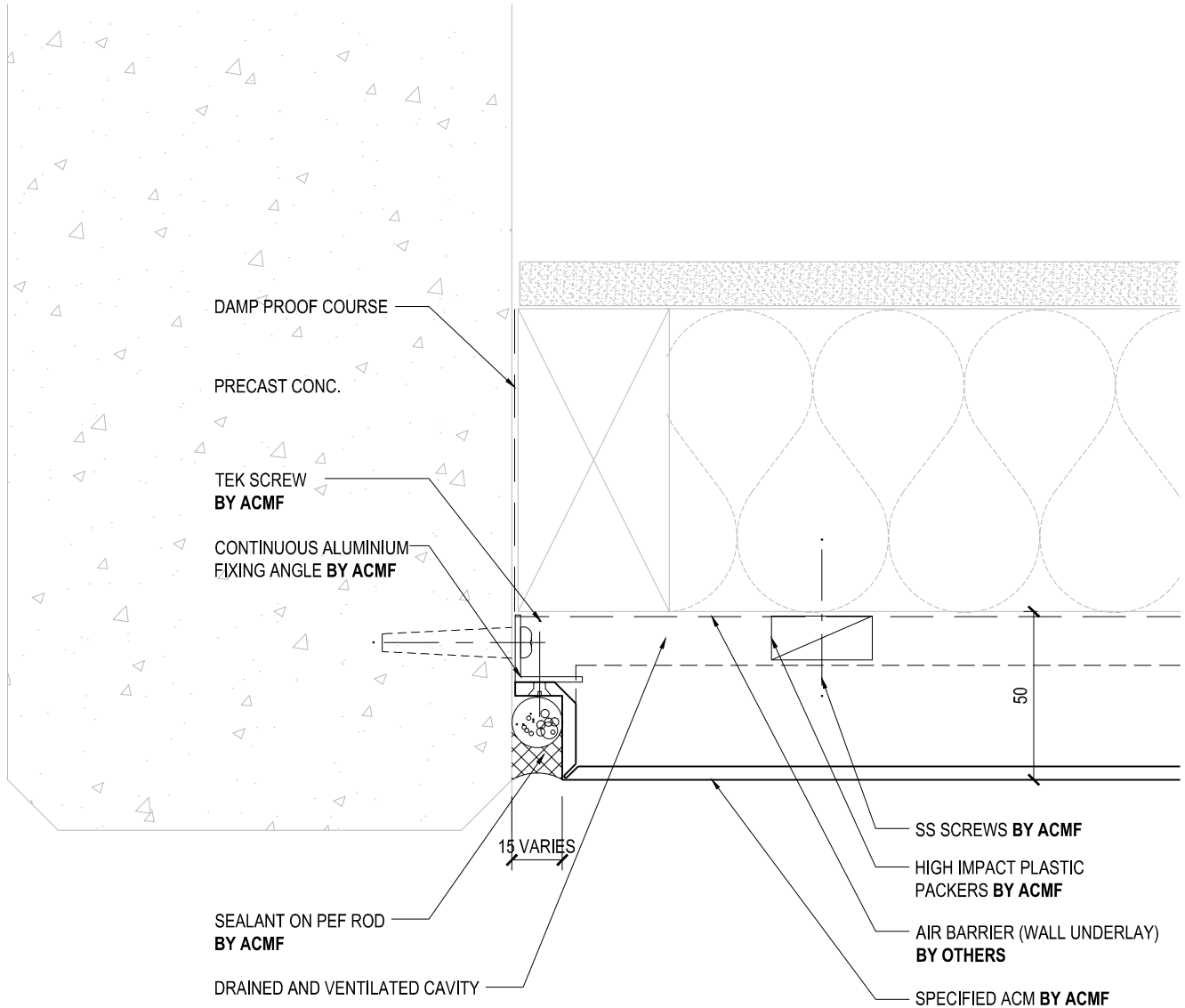
15

ISSUE

A

SCALE: 1:2

DATE: JUNE 2017



DRAWING TITLE

ACM / PRECAST JUNCTION DETAIL 1

DRAWING STATUS

ARCHITECTURAL
RESOURCE

SHEET NO.

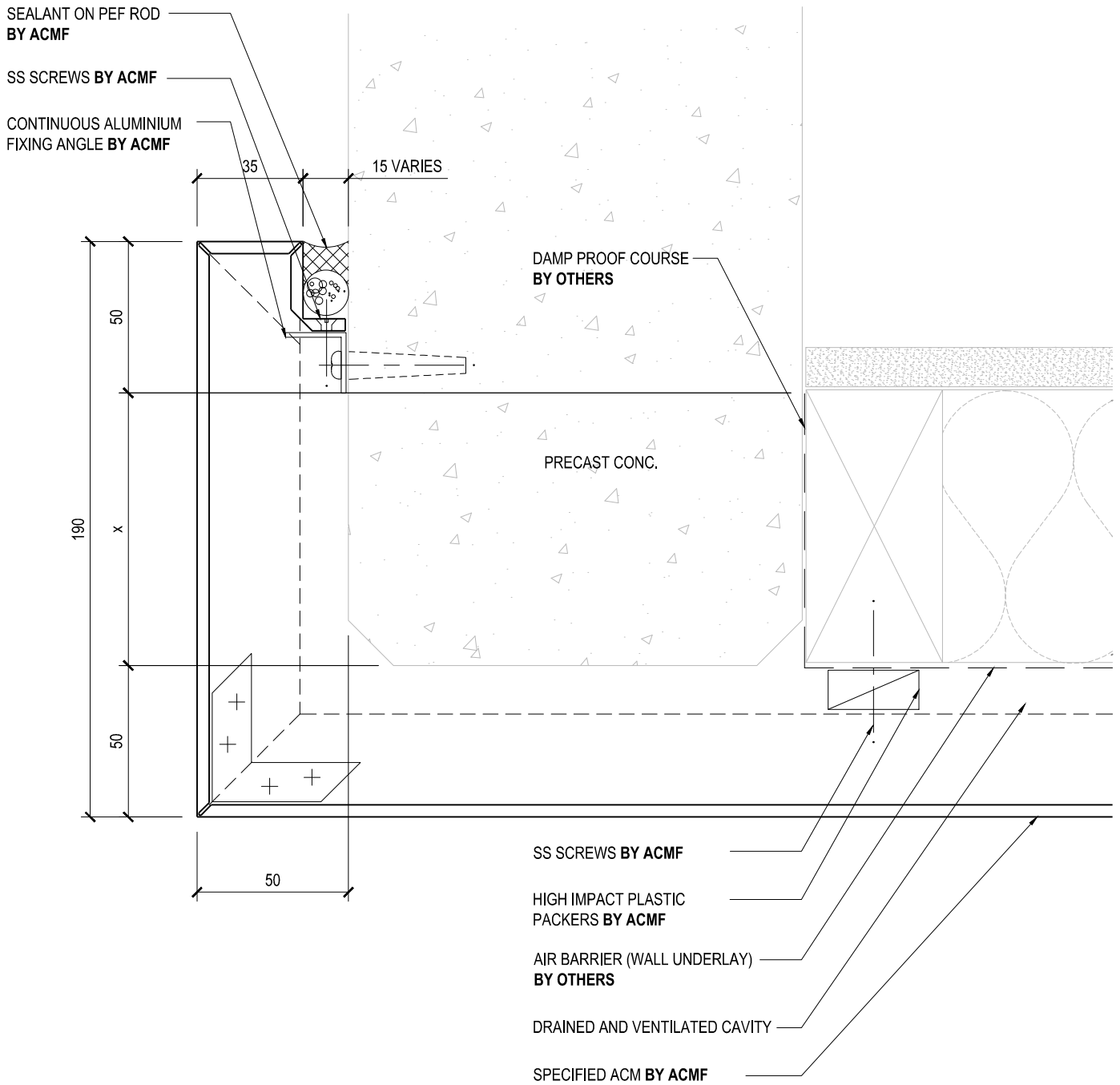
16

ISSUE

A

SCALE: 1:2

DATE: JUNE 2017



DRAWING TITLE

ACM / PRECAST JUNCTION DETAIL 2

DRAWING STATUS

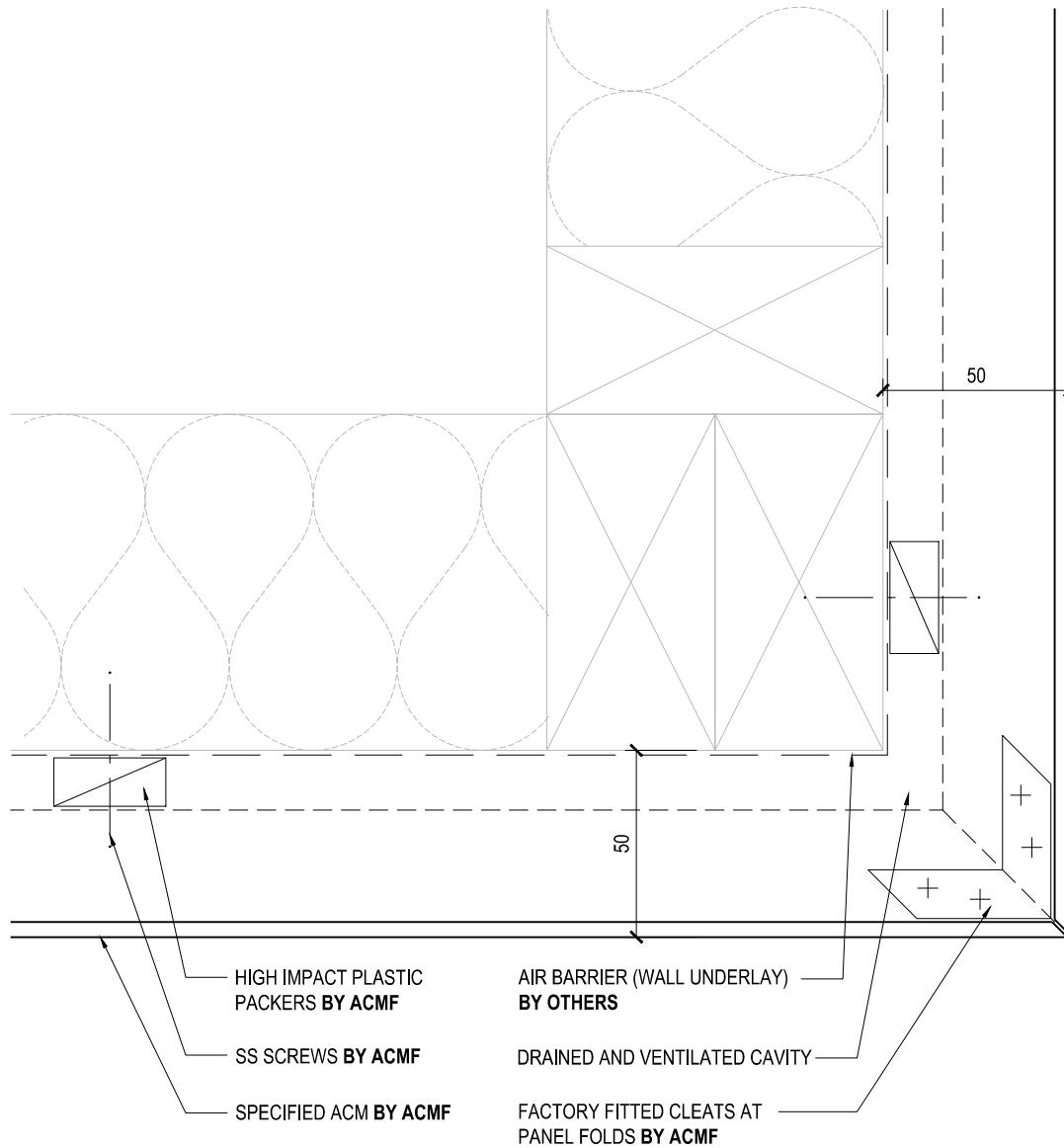
ARCHITECTURAL
RESOURCE

SHEET NO. ISSUE

17 A

SCALE: 1:2

DATE: JUNE 2017



DRAWING TITLE

EXTERNAL CORNER DETAIL

DRAWING STATUS

ARCHITECTURAL
RESOURCE

SHEET NO.

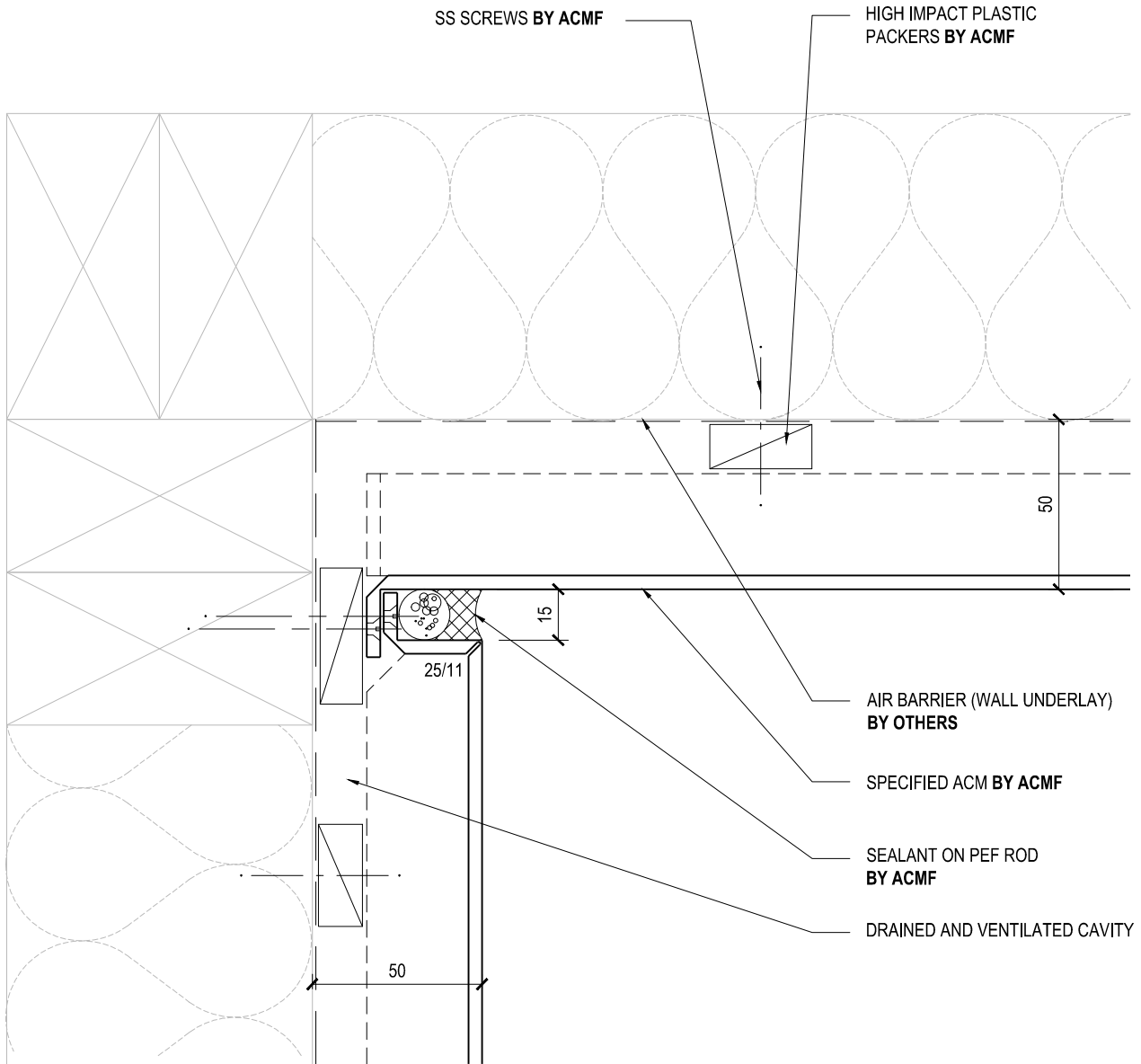
18

ISSUE

A

SCALE: 1:2

DATE: JUNE 2017



DRAWING TITLE

INTERNAL CORNER DETAIL 1

DRAWING STATUS

ARCHITECTURAL
RESOURCE

SHEET NO.

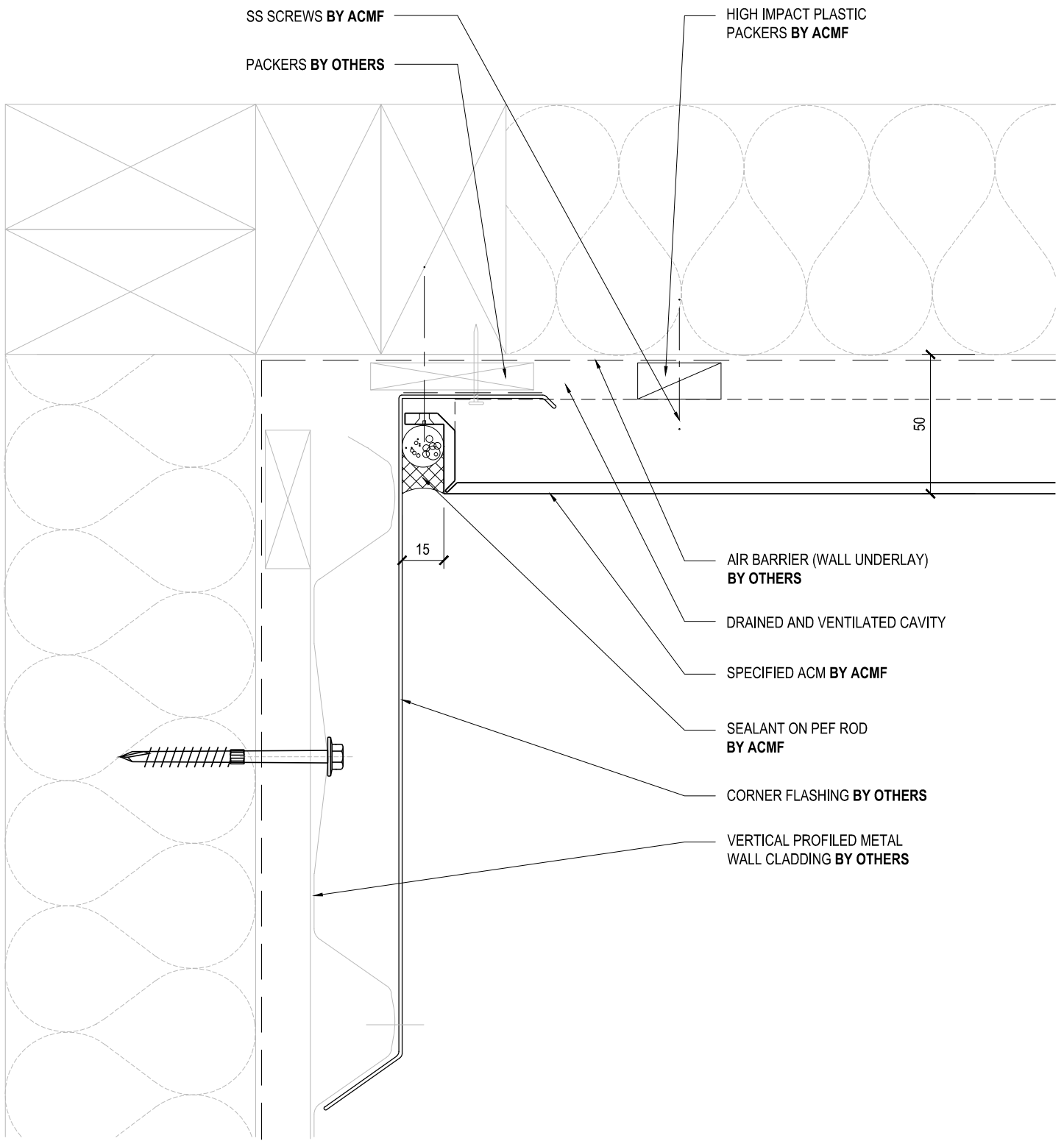
19

ISSUE

A

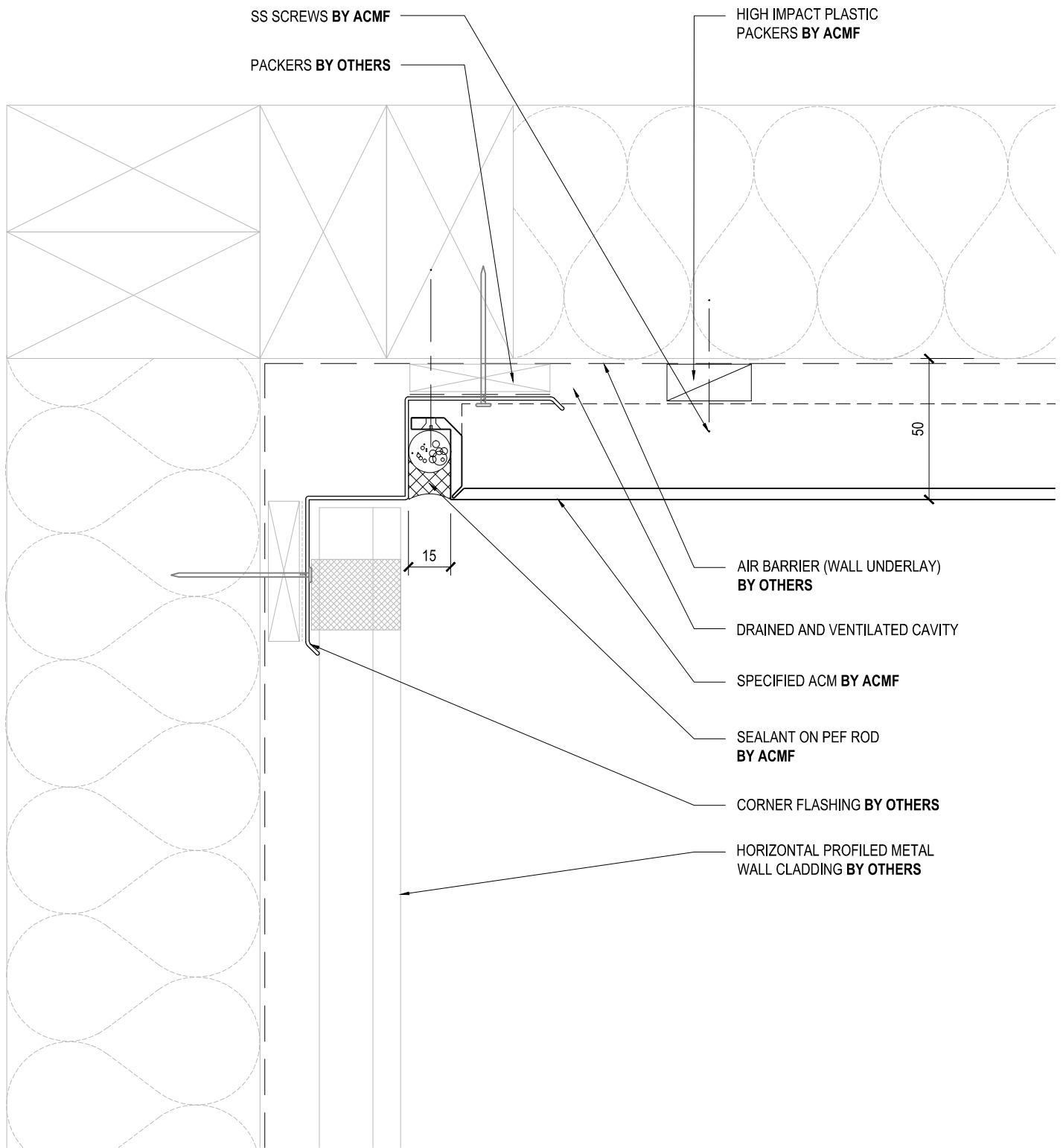
SCALE: 1:2

DATE: JUNE 2017



DRAWING TITLE	INTERNAL CORNER DETAIL 2
---------------	--------------------------

DRAWING STATUS		SHEET NO.	ISSUE
ARCHITECTURAL RESOURCE		20	A
SCALE: 1:2		DATE: JUNE 2017	



DRAWING TITLE

INTERNAL CORNER DETAIL 3

DRAWING STATUS

ARCHITECTURAL
RESOURCE

SHEET NO.

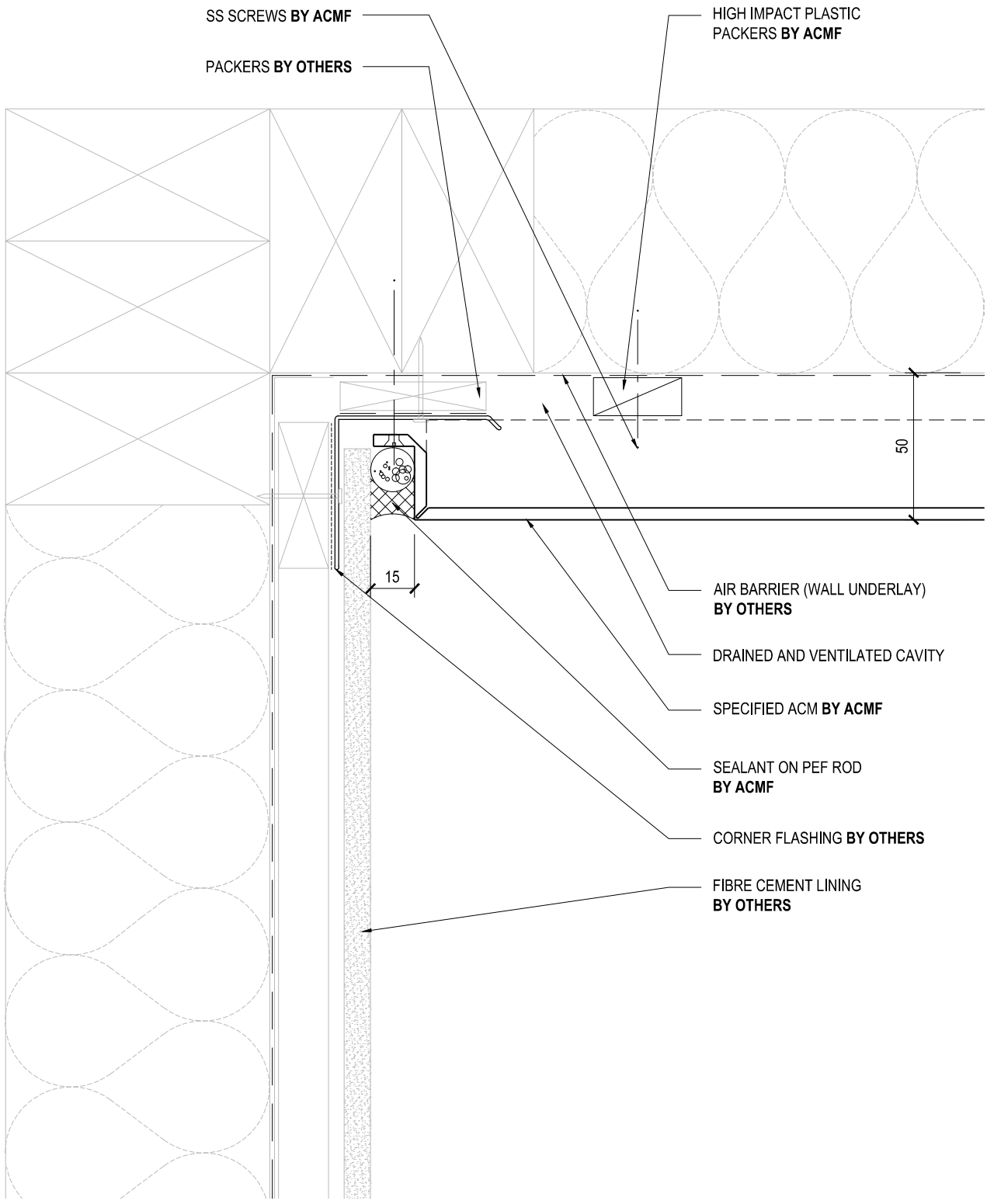
21

ISSUE

A

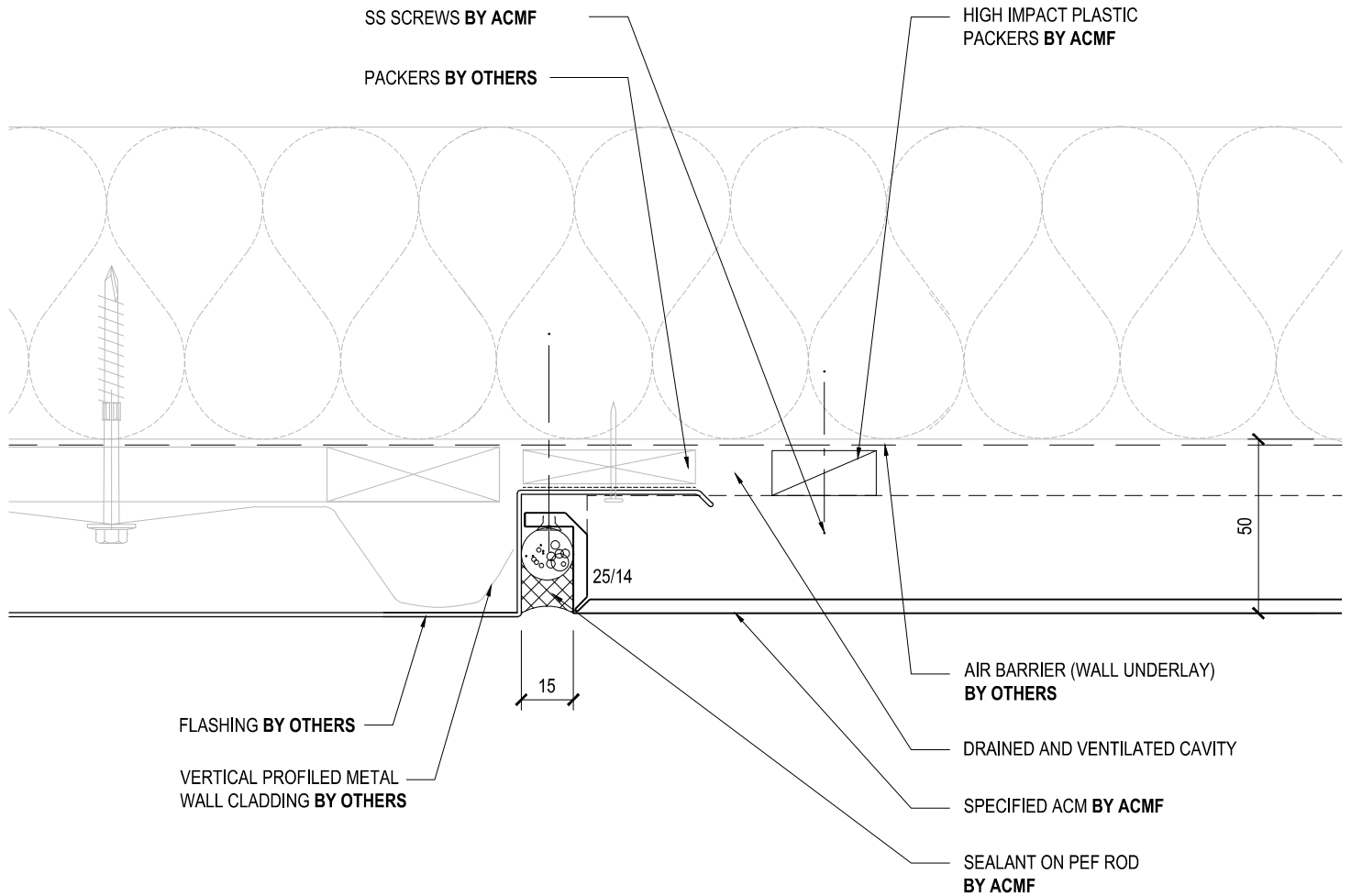
SCALE: 1:2

DATE: JUNE 2017



DRAWING TITLE	DRAWING STATUS
INTERNAL CORNER DETAIL 3	ARCHITECTURAL RESOURCE

SHEET NO.	ISSUE
22	A
SCALE: 1:2	DATE: JUNE 2017



DRAWING TITLE

ACM / WALL JUNCTION DETAIL

DRAWING STATUS

ARCHITECTURAL
RESOURCE

SHEET NO.

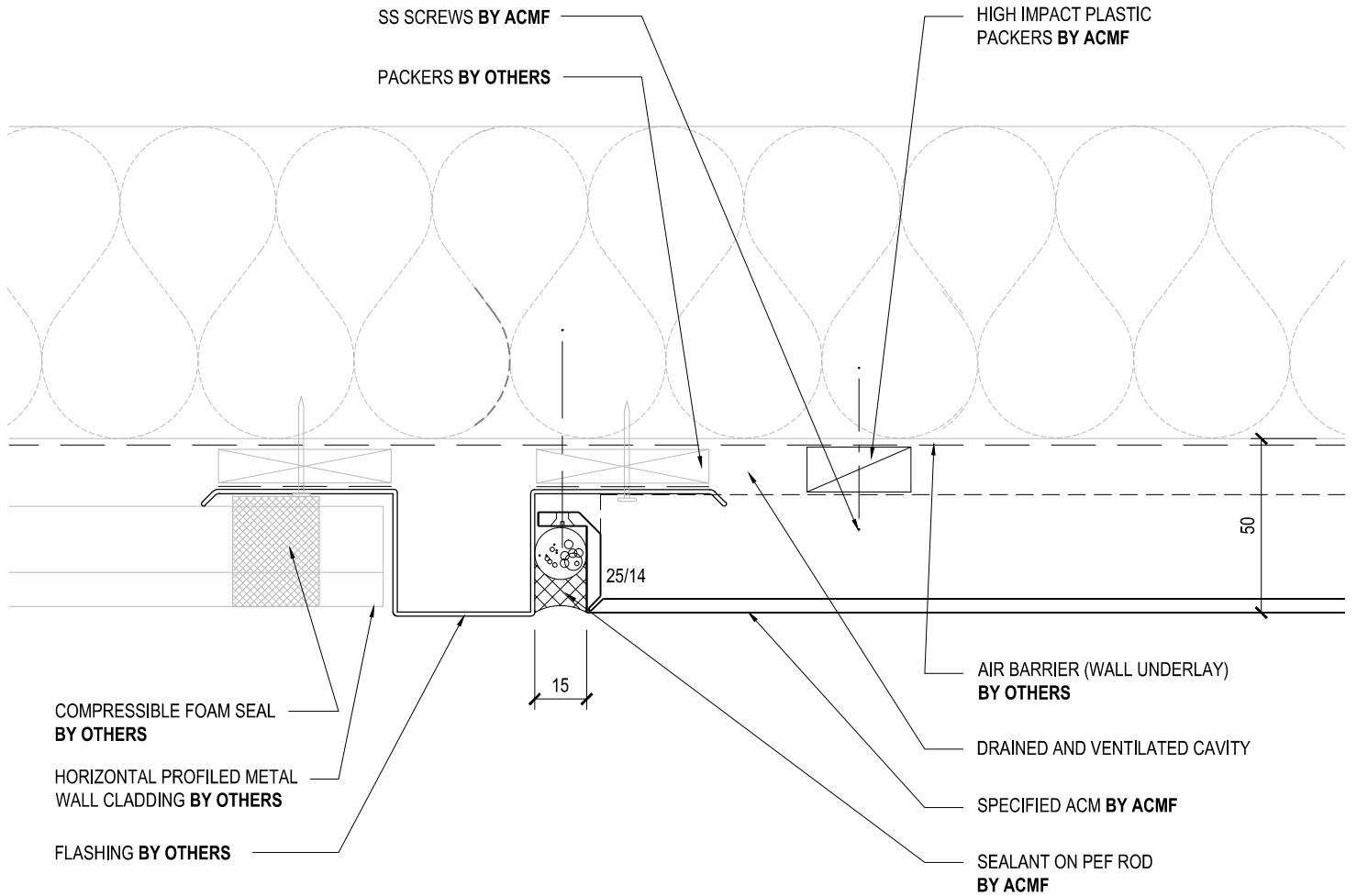
23

ISSUE

A

SCALE: 1:2

DATE: JUNE 2017



DRAWING TITLE

ACM / WALL JUNCTION DETAIL

DRAWING STATUS

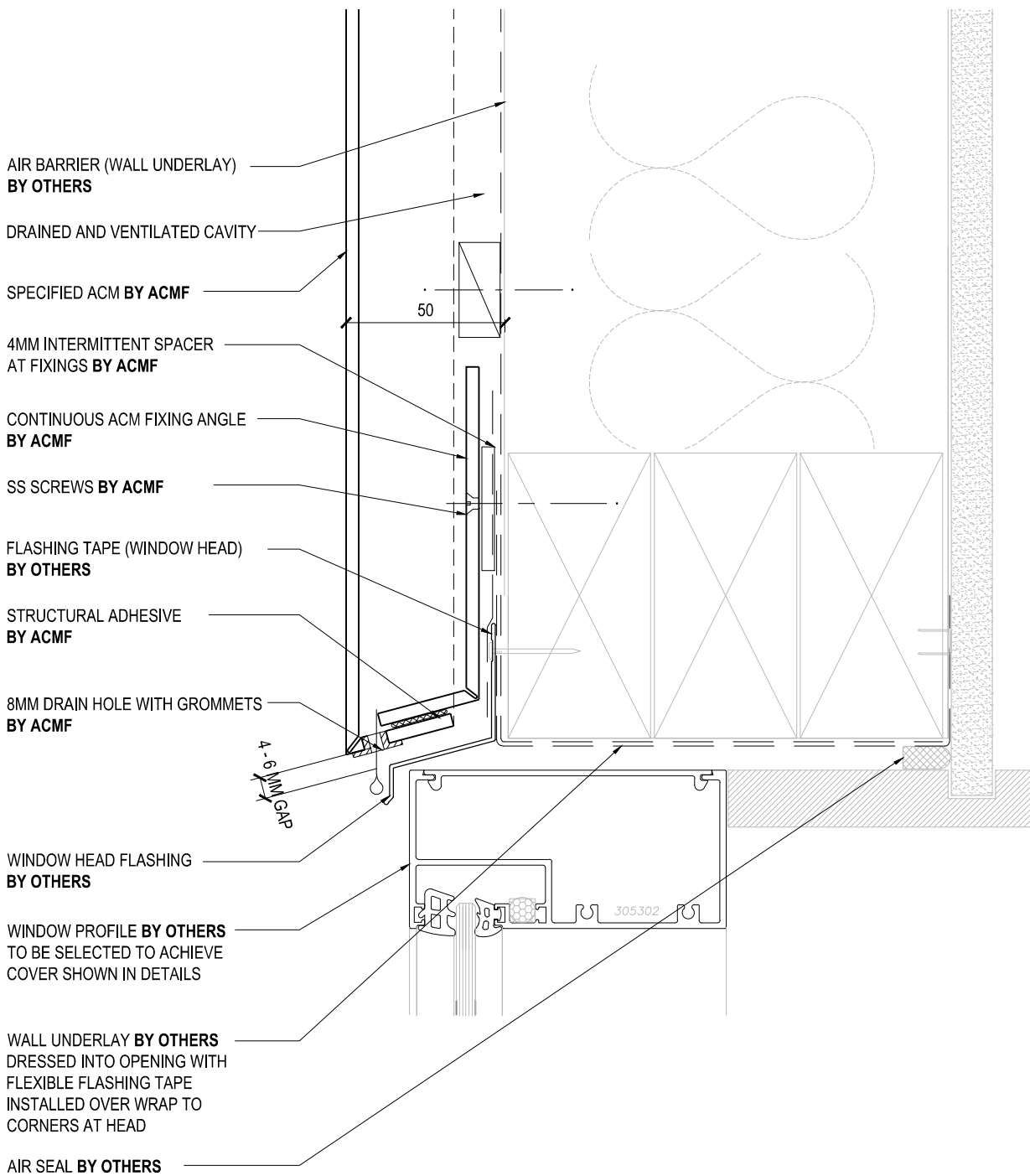
ARCHITECTURAL
RESOURCE

SHEET NO. ISSUE

24 A

SCALE: 1:2

DATE: JUNE 2017



DRAWING TITLE

COMMERCIAL WINDOW HEAD DETAIL
(ALTERNATIVE DETAIL)

DRAWING STATUS

ARCHITECTURAL
RESOURCE

SHEET NO.

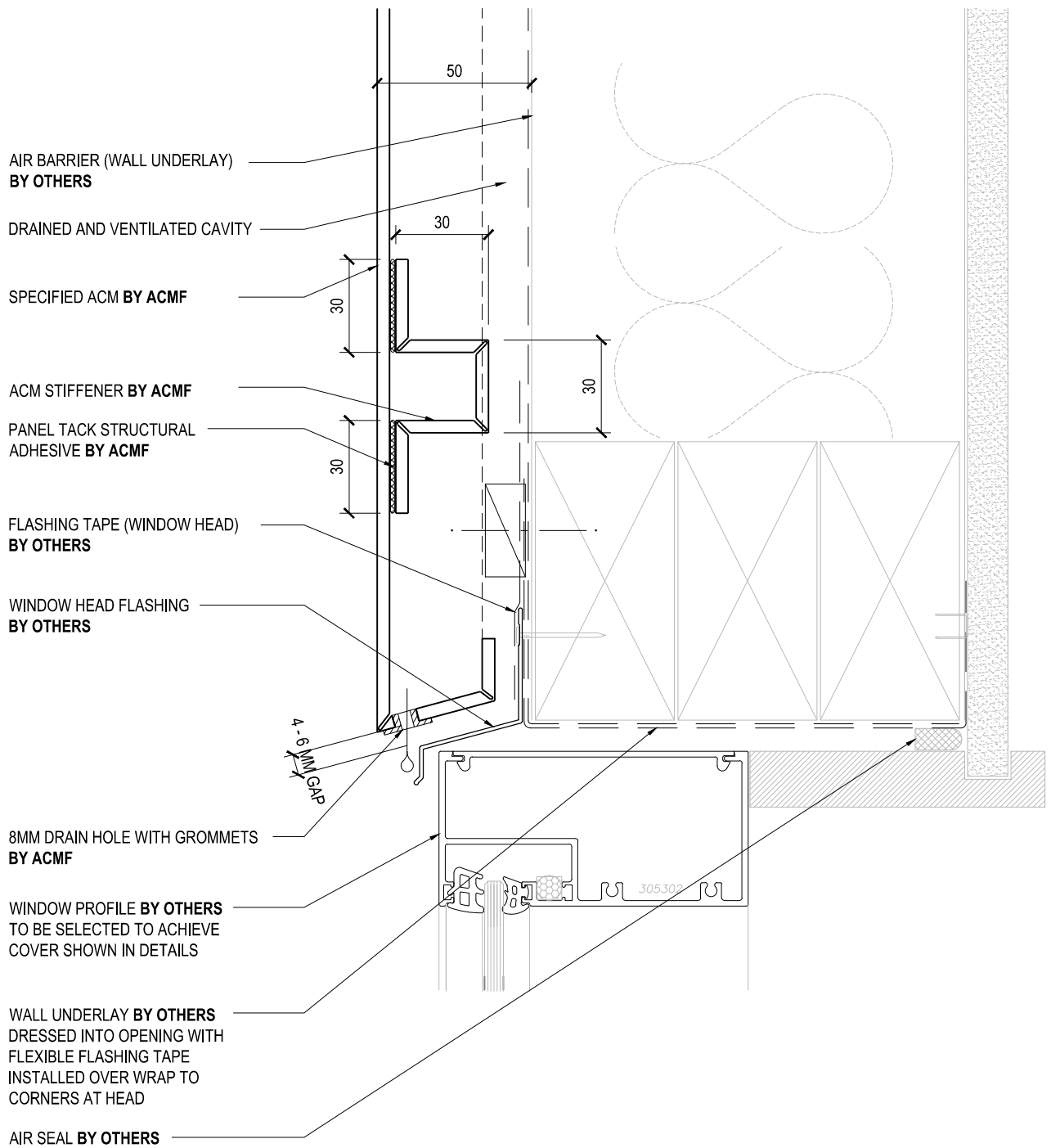
25

ISSUE

A

SCALE: 1:2

DATE: JUNE 2017



DRAWING TITLE

COMMERCIAL WINDOW HEAD DETAIL
(ALTERNATIVE DETAIL)

DRAWING STATUS

ARCHITECTURAL
RESOURCE

SHEET NO.

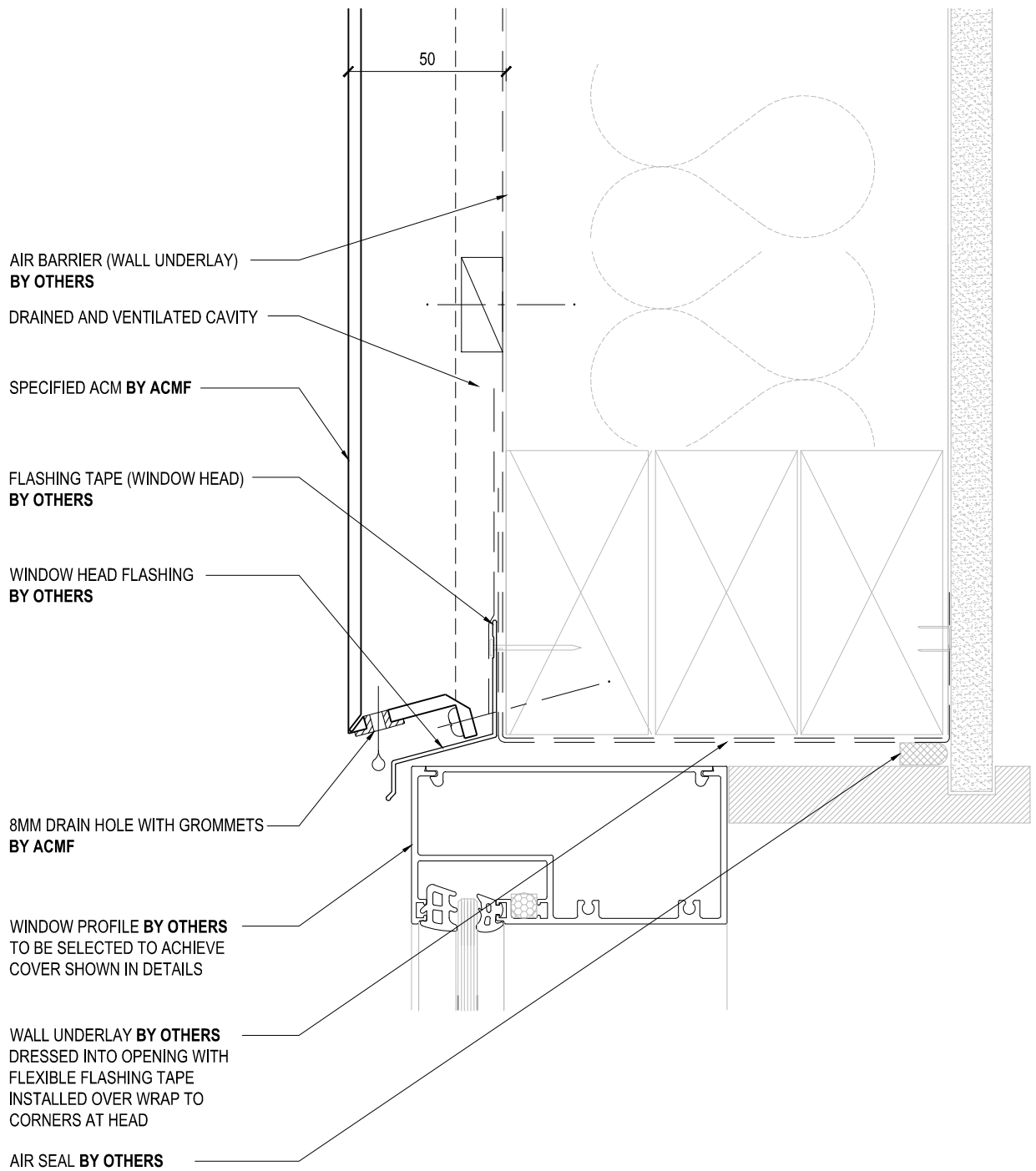
26

ISSUE

A

SCALE: 1:2

DATE: JUNE 2017



DRAWING TITLE

COMMERCIAL WINDOW HEAD DETAIL
(ALTERNATIVE DETAIL)

DRAWING STATUS

ARCHITECTURAL
RESOURCE

SHEET NO.

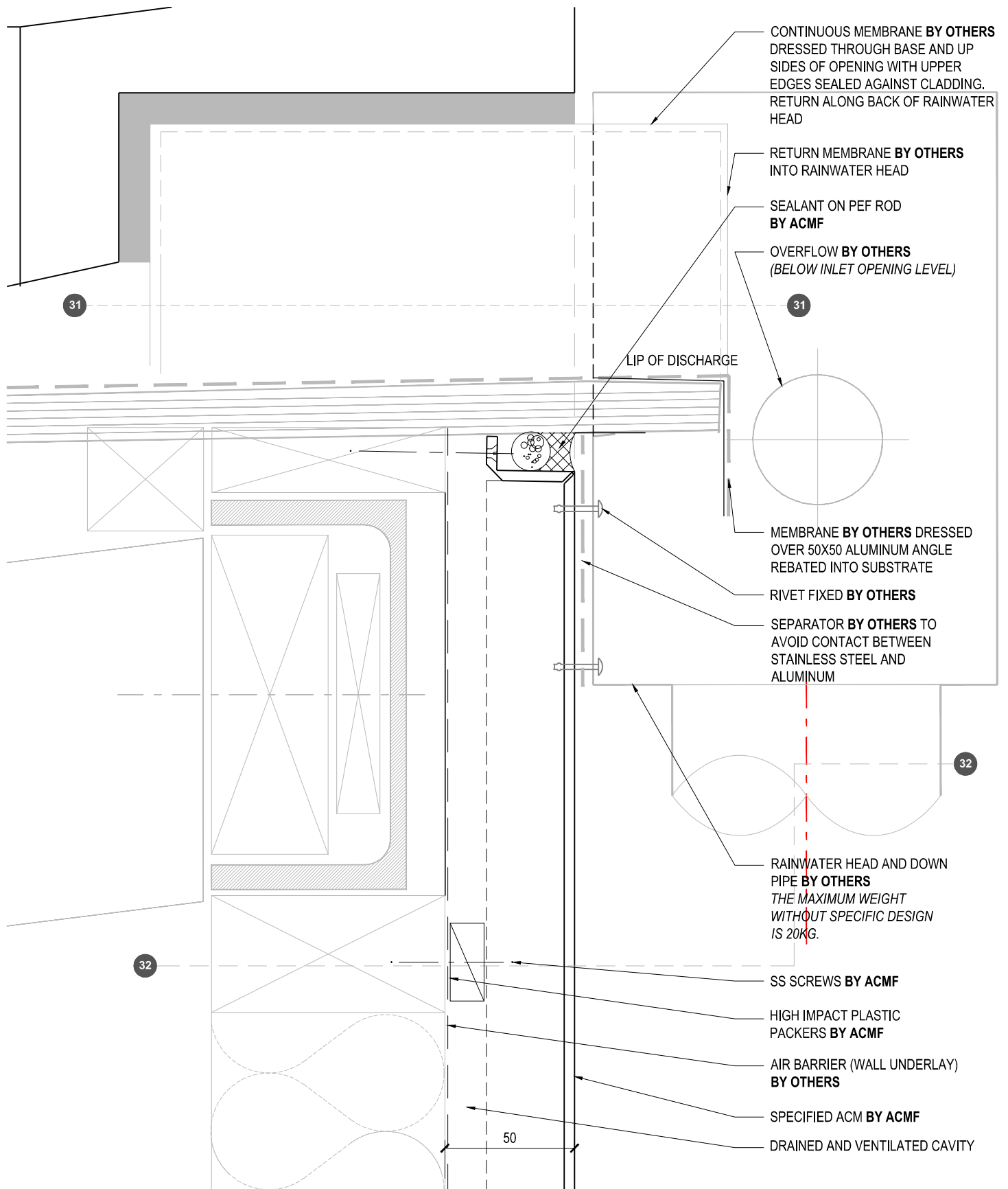
27

ISSUE

A

SCALE: 1:2

DATE: JUNE 2017



NOTE

- TO BE READ WITH SHEET 31 & 32



DRAWING TITLE

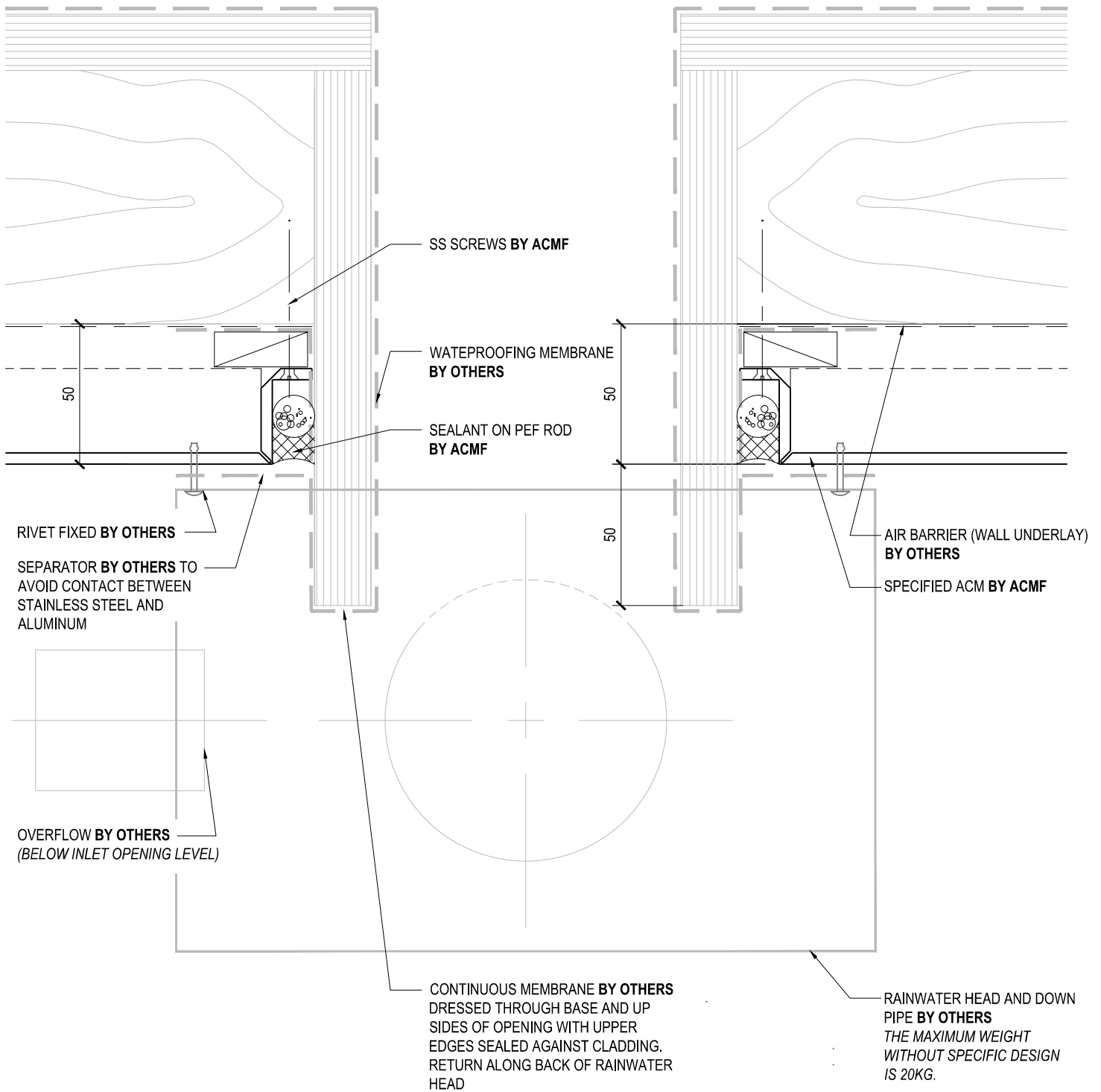
TYPICAL RAIN HEAD/ OUTLET THROUGH WALL DETAIL

DRAWING STATUS

ARCHITECTURAL RESOURCE

SHEET NO. 30

ISSUE A



NOTE

- TO BE READ WITH SHEET 30 & 32



DRAWING TITLE

TYPICAL RAIN HEAD DETAIL

DRAWING STATUS

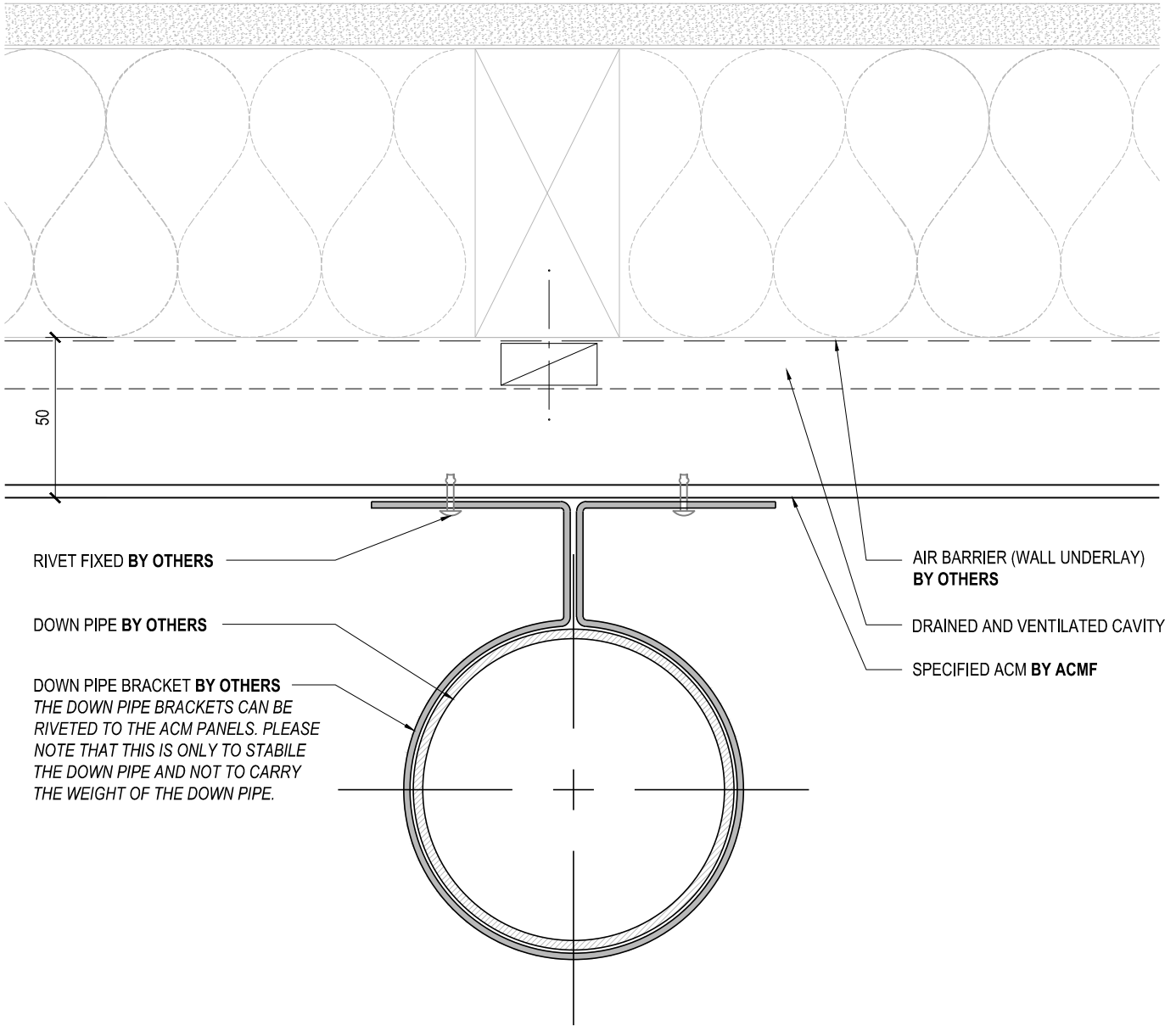
ARCHITECTURAL RESOURCE

SCALE: 1:2

SHEET NO. 31

DATE: JUNE 2017

ISSUE A



NOTE

- TO BE READ WITH SHEET 30 & 31



DRAWING TITLE

DOWNPIPE / ACM FIXING DETAIL

DRAWING STATUS

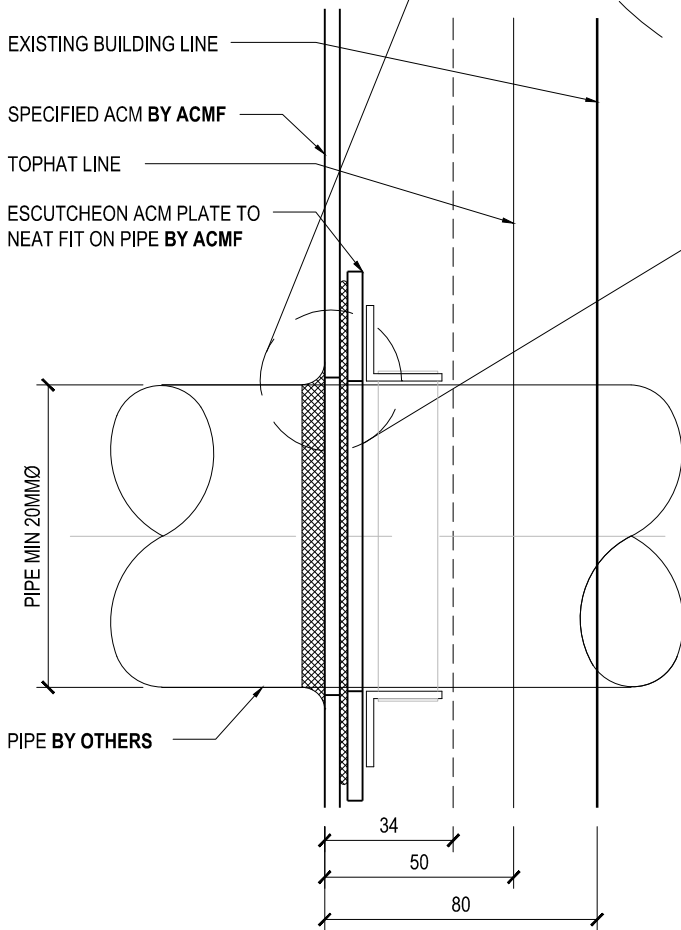
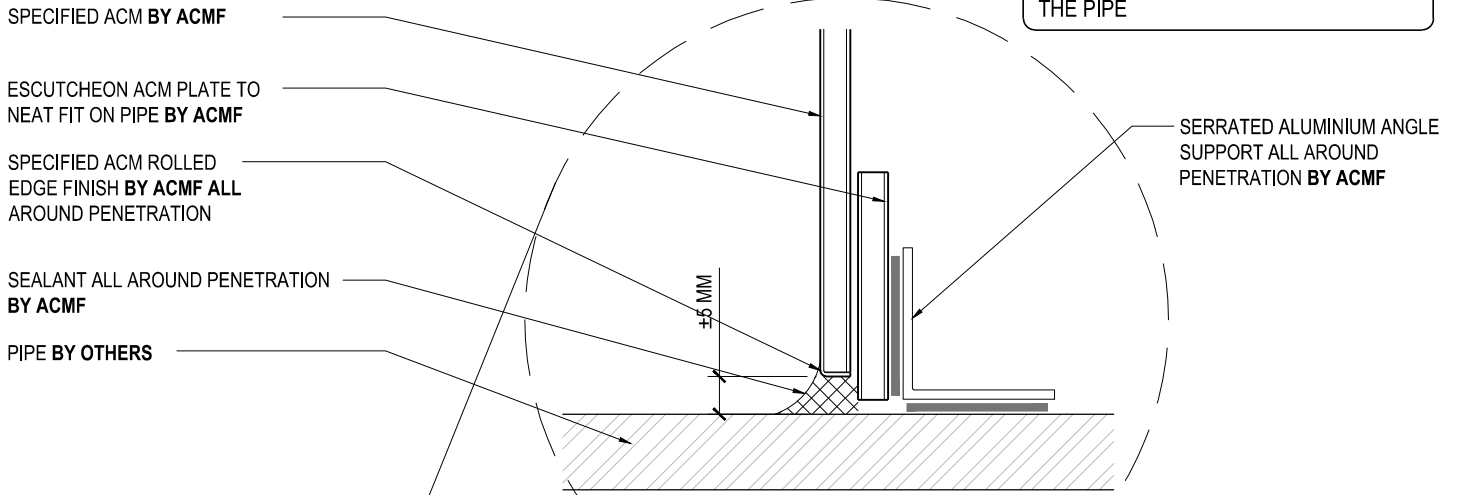
ARCHITECTURAL RESOURCE

SCALE: 1:2

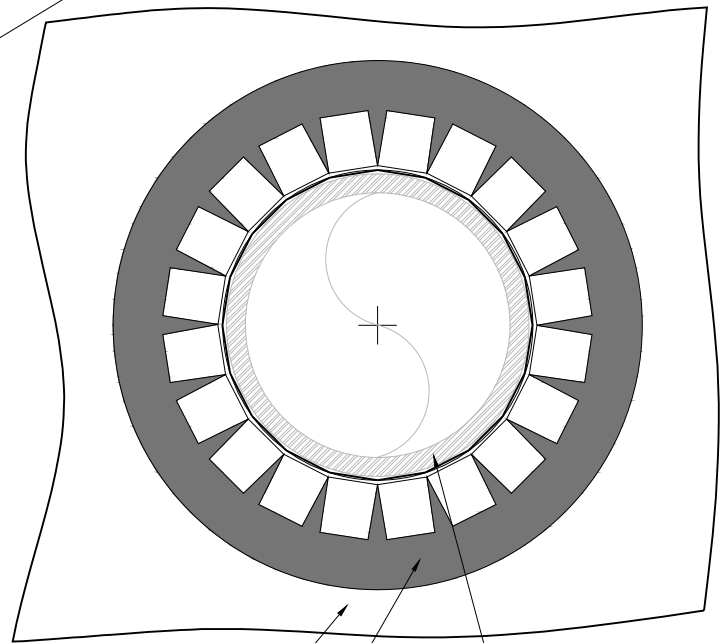
SHEET NO. 32	ISSUE A
DATE: JUNE 2017	

NOTE

THIS DETAIL CAN ONLY BE USED WHERE THE PANEL CAN BE SLID OVER THE PIPE



OUTSIDE SIDE ELEVATION INSIDE



SPECIFIED ACM BY ACMF
 ESCUTCHEON ACM PLATE TO NEAT FIT ON PIPE BY ACMF
 PIPE BY OTHERS
 BACK ELEVATION



DRAWING TITLE

STANDARD PENETRATION (Minimum of 20 mm Ø)

DRAWING STATUS

ARCHITECTURAL RESOURCE

SHEET NO.	ISSUE
33	A

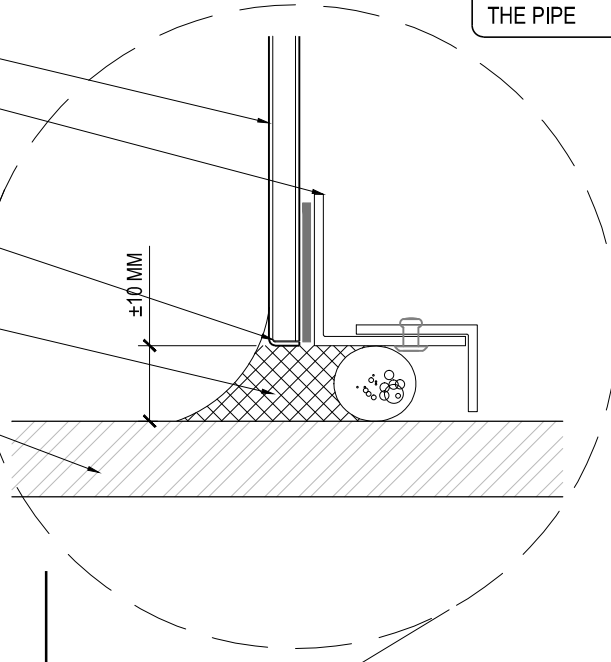
SCALE: 1:2

DATE: JUNE 2017

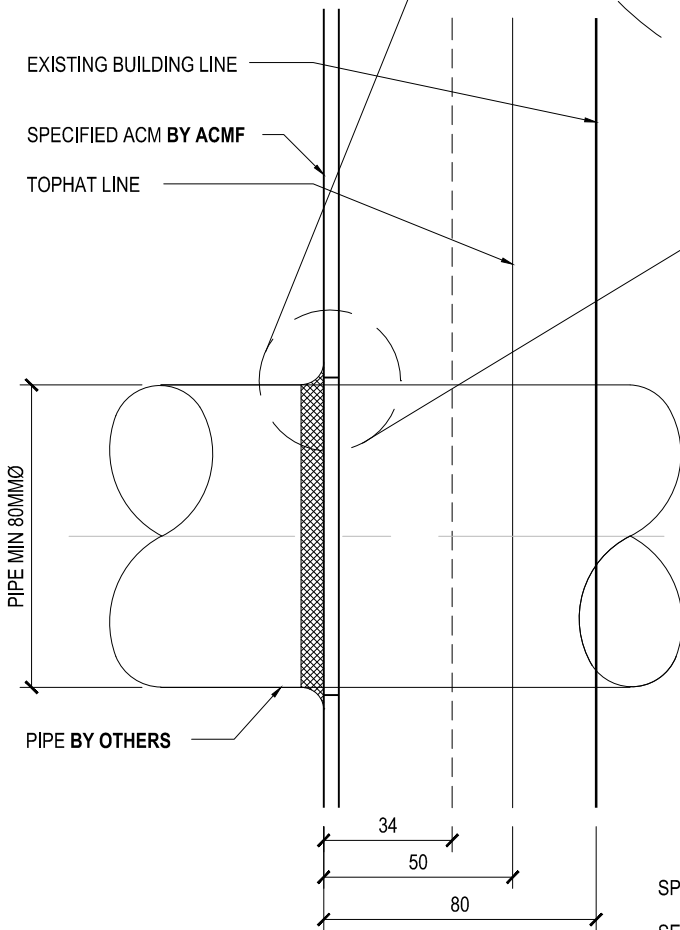
NOTE

THIS DETAIL CAN ONLY BE USED WHERE THE PANEL CAN BE SLID OVER THE PIPE

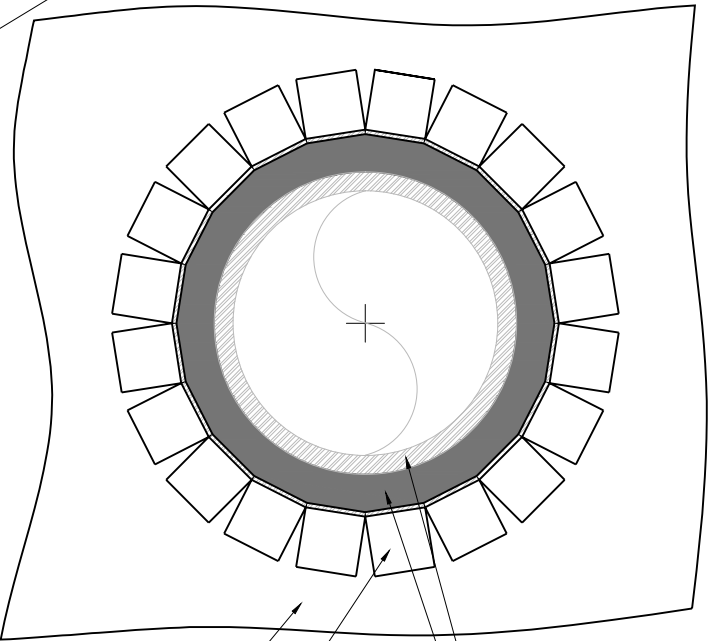
- SPECIFIED ACM BY ACMF
- SERRATED ALUMINIUM ANGLE STRUCTURALLY GLUED FIXED WITH 3M VHB DOUBLE SIDED TAPE BY ACMF
- SPECIFIED ACM ROLLED EDGE FINISH BY ACMF ALL AROUND PENETRATION
- SEALANT ON PEF ROD BY ACMF
- PIPE BY OTHERS



- EXISTING BUILDING LINE
- SPECIFIED ACM BY ACMF
- TOPHAT LINE



OUTSIDE SIDE ELEVATION INSIDE



- SPECIFIED ACM BY ACMF
- SERRATED ALUMINIUM ANGLE STRUCTURALLY GLUED FIXED WITH 3M VHB DOUBLE SIDED TAPE BY ACMF
- PIPE BY OTHERS
- SEALANT ON PEF ROD BY ACMF

BACK ELEVATION



DRAWING TITLE

STANDARD PENETRATION (Minimum of 80 mm Ø)

DRAWING STATUS

ARCHITECTURAL RESOURCE

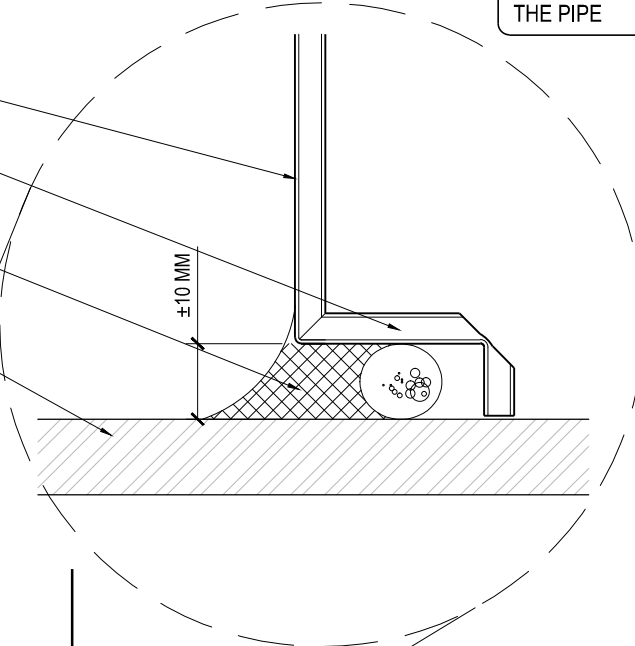
SHEET NO.	ISSUE
34	A

SCALE: 1:2

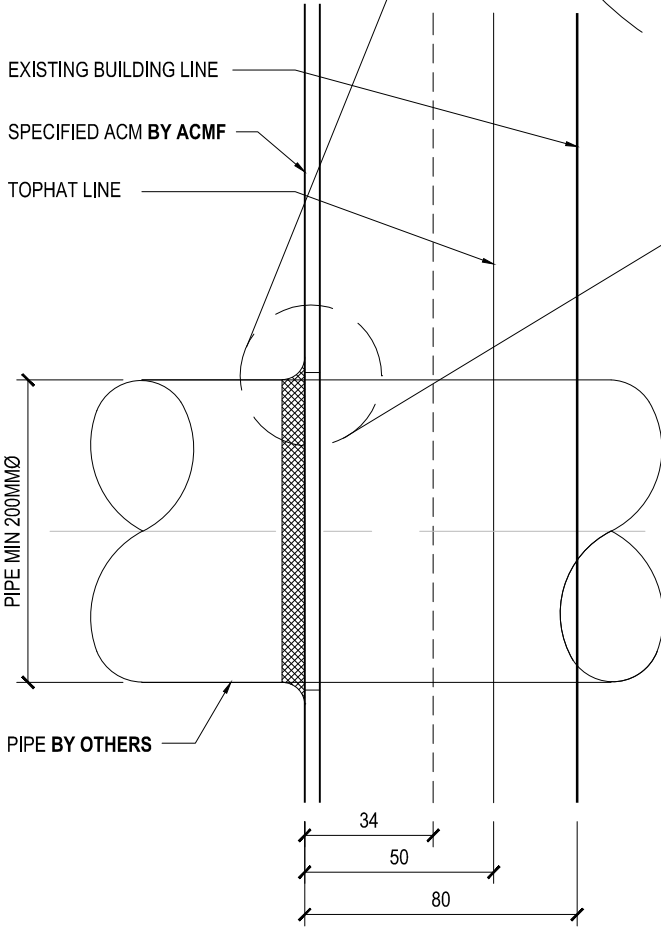
DATE: JUNE 2017

NOTE
 THIS DETAIL CAN ONLY BE USED
 WHERE THE PANEL CAN BE SLID OVER
 THE PIPE

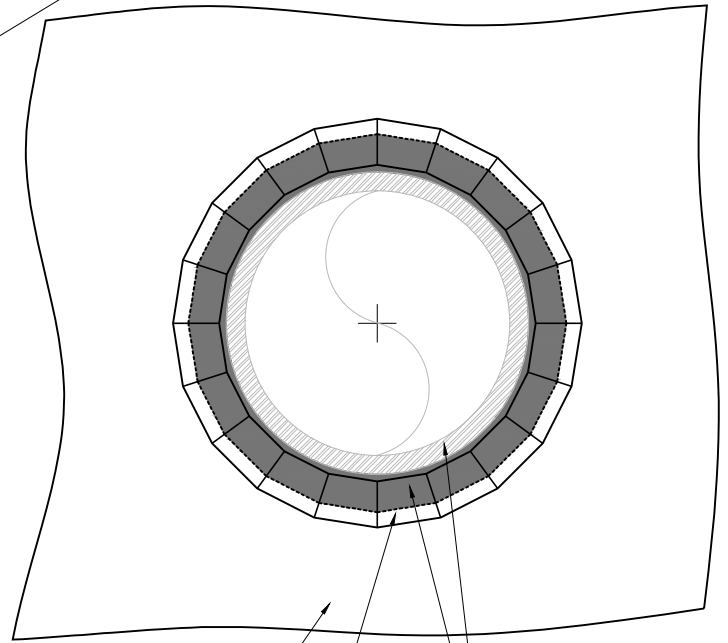
SPECIFIED ACM BY ACMF
 SERRATED STANDARD ACM LEG
 BY ACMF
 SEALANT ON PEF ROD
 BY ACMF
 PIPE BY OTHERS



EXISTING BUILDING LINE
 SPECIFIED ACM BY ACMF
 TOPHAT LINE



OUTSIDE SIDE ELEVATION INSIDE



SPECIFIED ACM BY ACMF
 SERRATED STANDARD ACM LEG
 BY ACMF
 PIPE BY OTHERS
 SEALANT ON PEF ROD
 BY ACMF

BACK ELEVATION



DRAWING TITLE
STANDARD PENETRATION (Minimum of 200 mm Ø)

DRAWING STATUS
ARCHITECTURAL RESOURCE

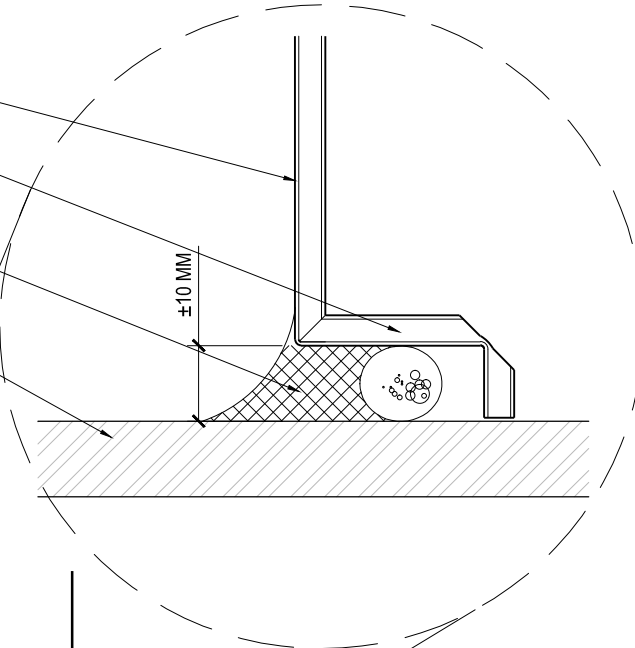
SHEET NO.	ISSUE
35	A

SPECIFIED ACM BY ACMF

SERRATED STANDARD ACM LEG BY ACMF

SEALANT ON PEF ROD BY ACMF

PIPE BY OTHERS



EXISTING BUILDING LINE

SPECIFIED ACM BY ACMF

TOPHAT LINE

PIPE MIN 200MM Ø

PIPE BY OTHERS

34

50

80

OUTSIDE SIDE ELEVATION INSIDE

15MM STANDARD JOINT BY ACMF

PANEL SLIDE THRU

PANEL SLIDE THRU

SPECIFIED ACM BY ACMF

PIPE BY OTHERS

SERRATED STANDARD ACM LEG BY ACMF

SEALANT ON PEF ROD BY ACMF

BACK ELEVATION



DRAWING TITLE

STANDARD PENETRATION (Minimum of 200 mm Ø)

DRAWING STATUS

ARCHITECTURAL RESOURCE

SHEET NO.

36

ISSUE

A

SCALE: 1:2

DATE: JUNE 2017

NOTE

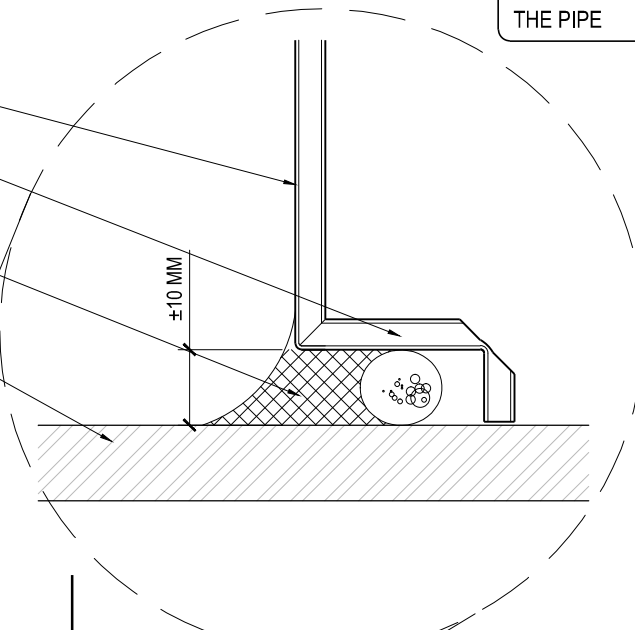
THIS DETAIL CAN ONLY BE USED WHERE THE PANEL CAN BE SLID OVER THE PIPE

SPECIFIED ACM BY ACMF

SERRATED STANDARD ACM LEG BY ACMF

SEALANT ON PEF ROD BY ACMF

RHS OR SHS PIPE BY OTHERS



EXISTING BUILDING LINE

SPECIFIED ACM BY ACMF

TOPHAT LINE

HEIGHT

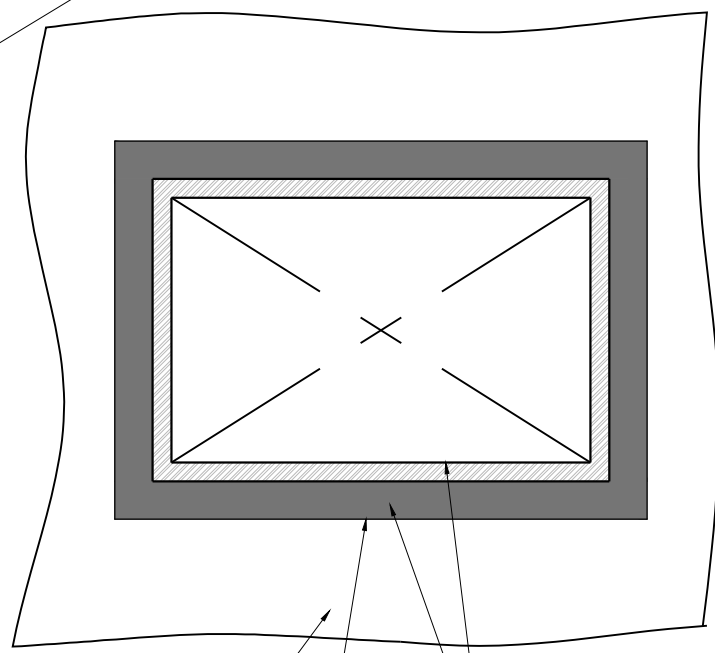
RHS OR SHS PIPE BY OTHERS

34

50

80

OUTSIDE SIDE ELEVATION INSIDE



SPECIFIED ACM BY ACMF

SERRATED STANDARD ACM LEG BY ACMF

RHS OR SHS PIPE BY OTHERS

SEALANT ON PEF ROD BY ACMF

BACK ELEVATION



DRAWING TITLE

STANDARD PENETRATION (RHS OR SHS PIPE SECTION)

DRAWING STATUS

ARCHITECTURAL RESOURCE

SHEET NO.

37

ISSUE

A

SCALE: 1:2

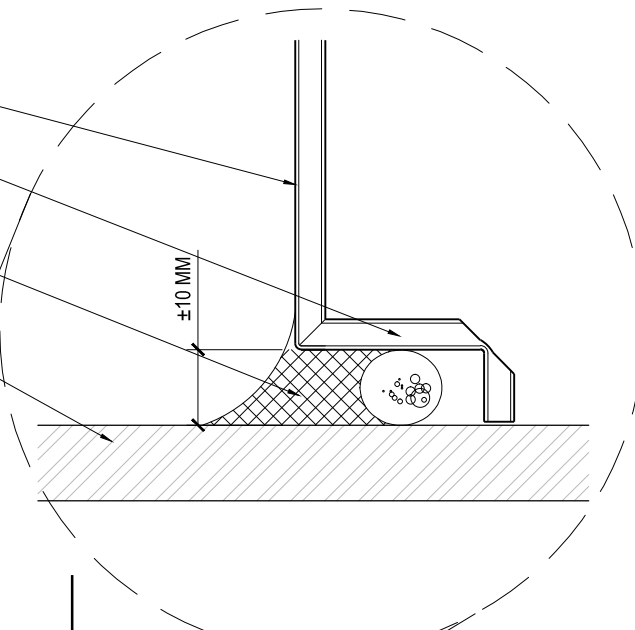
DATE: JUNE 2017

SPECIFIED ACM BY ACMF

SERRATED STANDARD ACM LEG BY ACMF

SEALANT ON PEF ROD BY ACMF

RHS OR SHS PIPE BY OTHERS



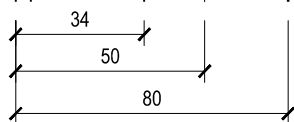
EXISTING BUILDING LINE

SPECIFIED ACM BY ACMF

TOPHAT LINE

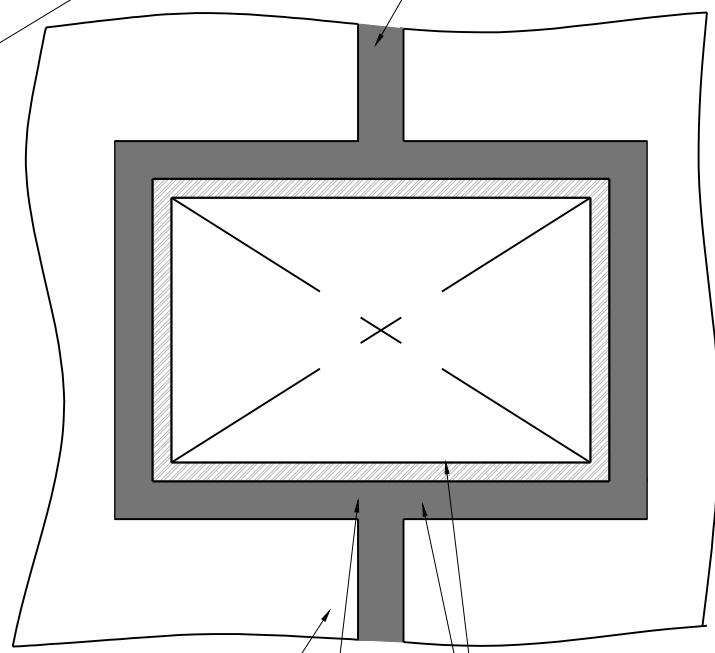
HEIGHT

RHS OR SHS PIPE BY OTHERS



OUTSIDE SIDE ELEVATION INSIDE

15MM STANDARD JOINT BY ACMF



SPECIFIED ACM BY ACMF

SERRATED STANDARD ACM LEG BY ACMF

RHS OR SHS PIPE BY OTHERS

SEALANT ON PEF ROD BY ACMF

BACK ELEVATION



DRAWING TITLE

STANDARD PENETRATION (RHS OR SHS PIPE SECTION)

DRAWING STATUS

ARCHITECTURAL RESOURCE

SHEET NO.

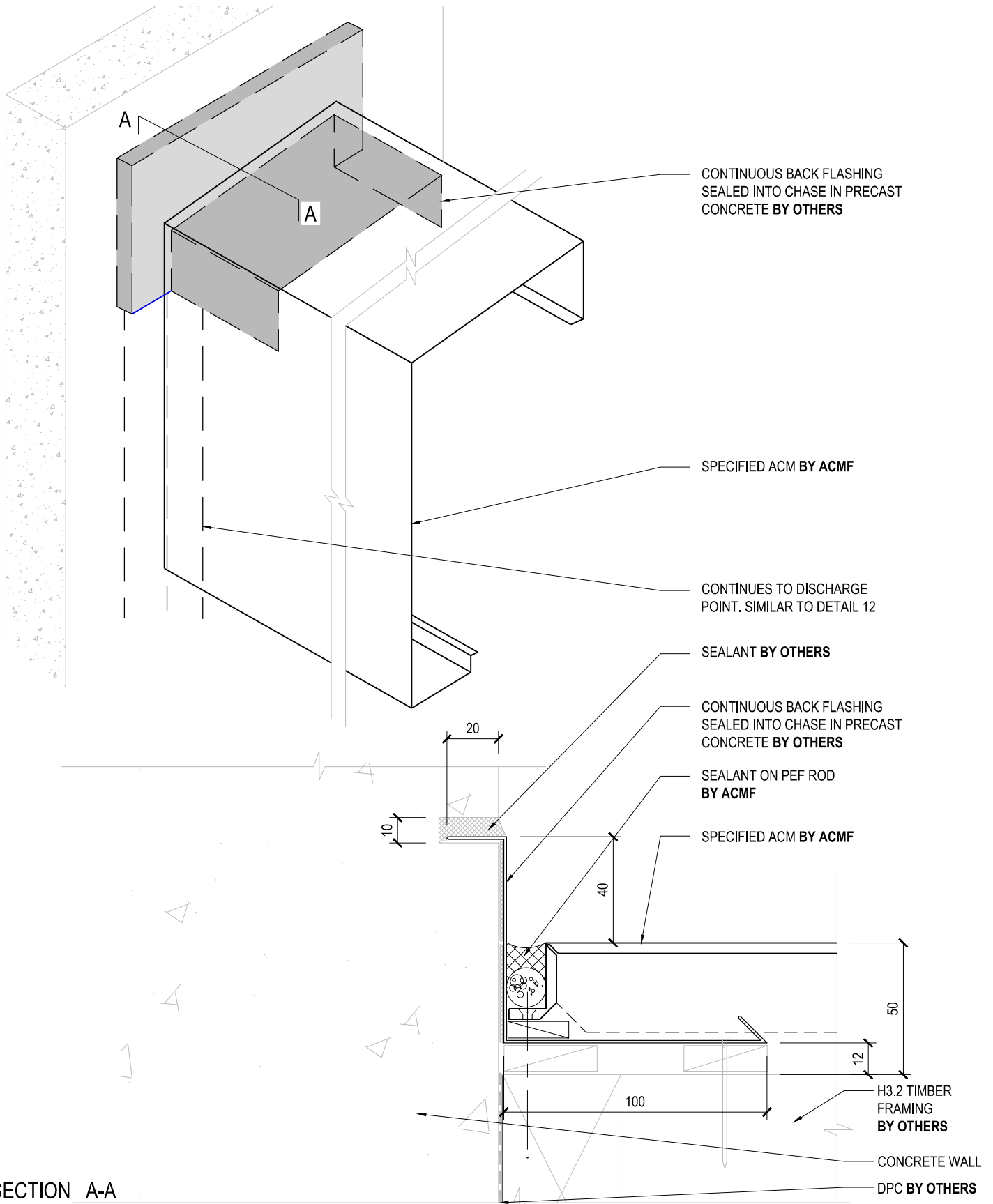
38

ISSUE

A

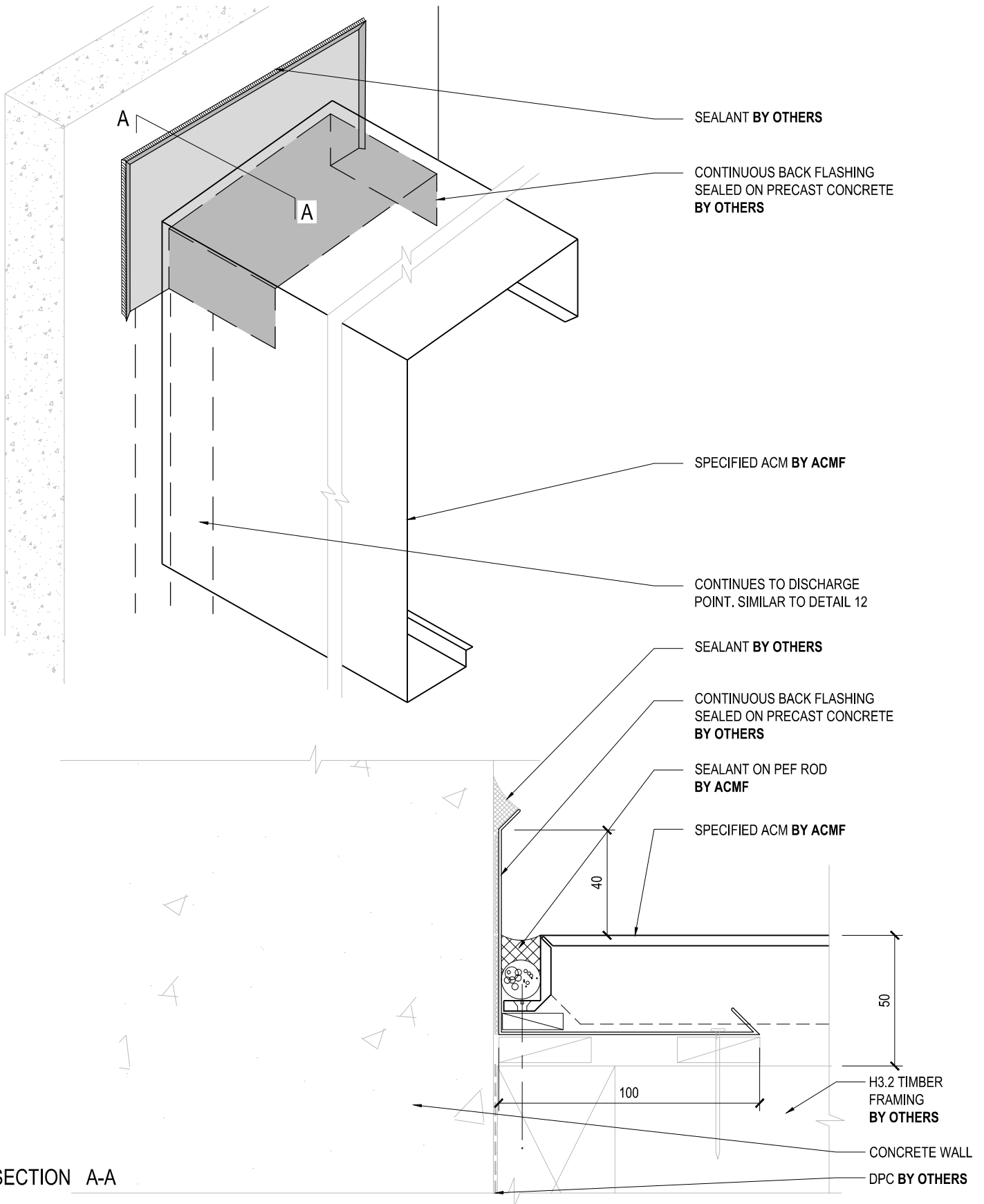
SCALE: 1:2

DATE: JUNE 2017



DRAWING TITLE	SADDLE FLASHING CHASED TO CONCRETE		
----------------------	---	--	--

DRAWING STATUS	ARCHITECTURAL RESOURCE	SHEET NO.	ISSUE
		39	A



DRAWING TITLE

SADDLE FLASHING IN BIRD BEAK

DRAWING STATUS

ARCHITECTURAL
RESOURCE

SHEET NO.

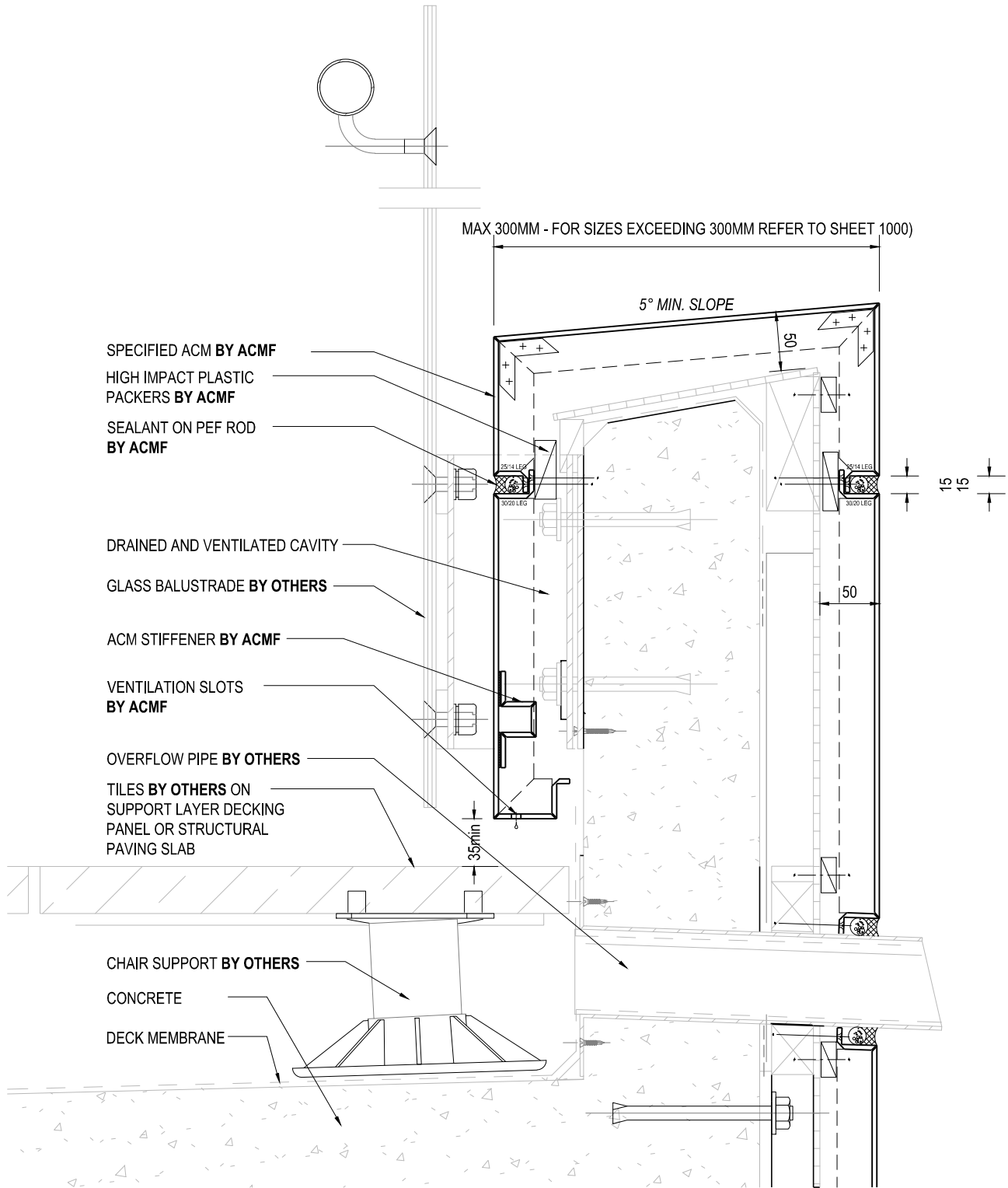
40

ISSUE

A

SCALE: 1:2

DATE: JUNE 2017



DRAWING TITLE

SAMPLE BALUSTRADE DETAIL 2

DRAWING STATUS

ARCHITECTURAL
RESOURCE

SHEET NO.

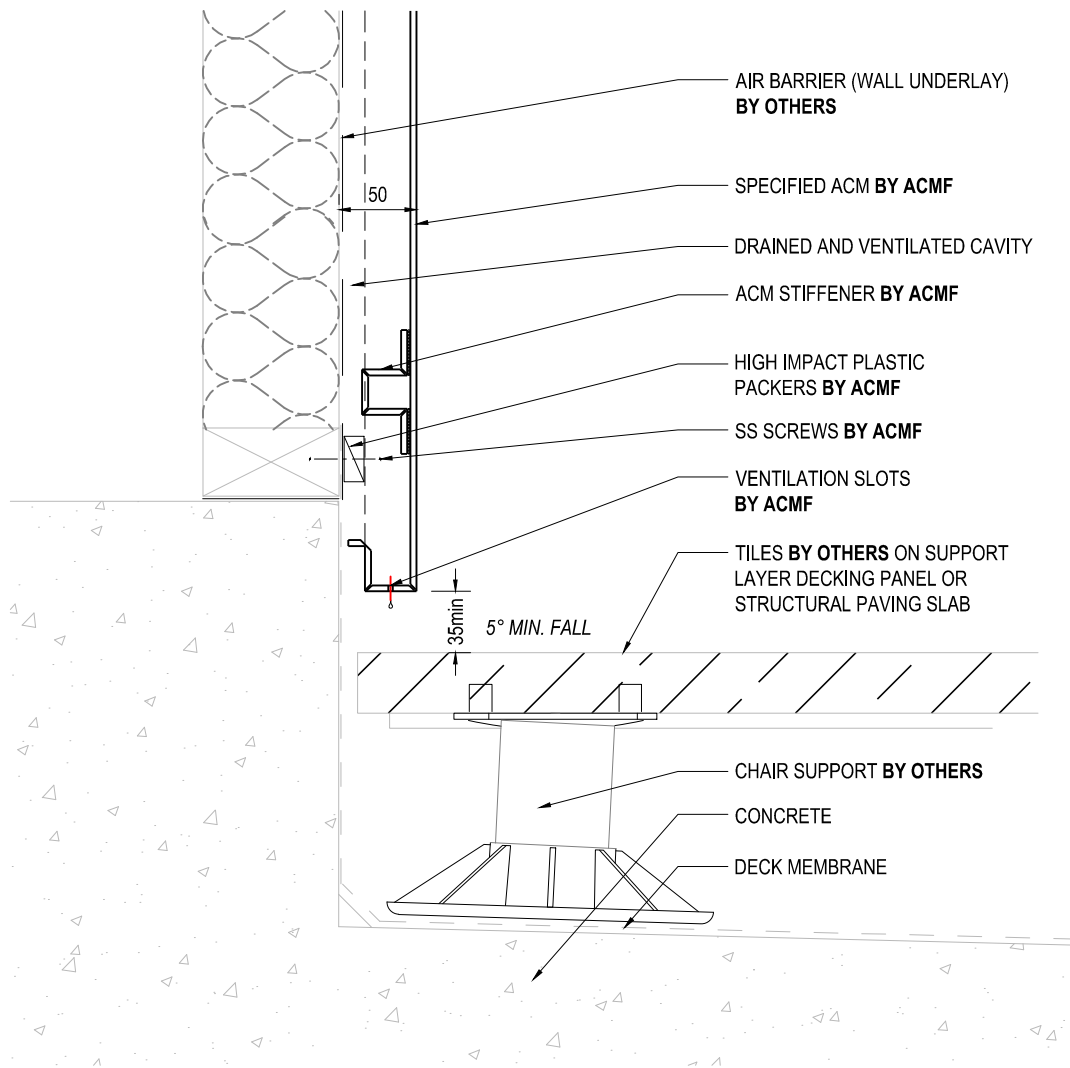
41

ISSUE

A

SCALE: 1:5

DATE: JUNE 2017



DRAWING TITLE

SAMPLE DECK DETAIL

DRAWING STATUS

ARCHITECTURAL
RESOURCE

SHEET NO.

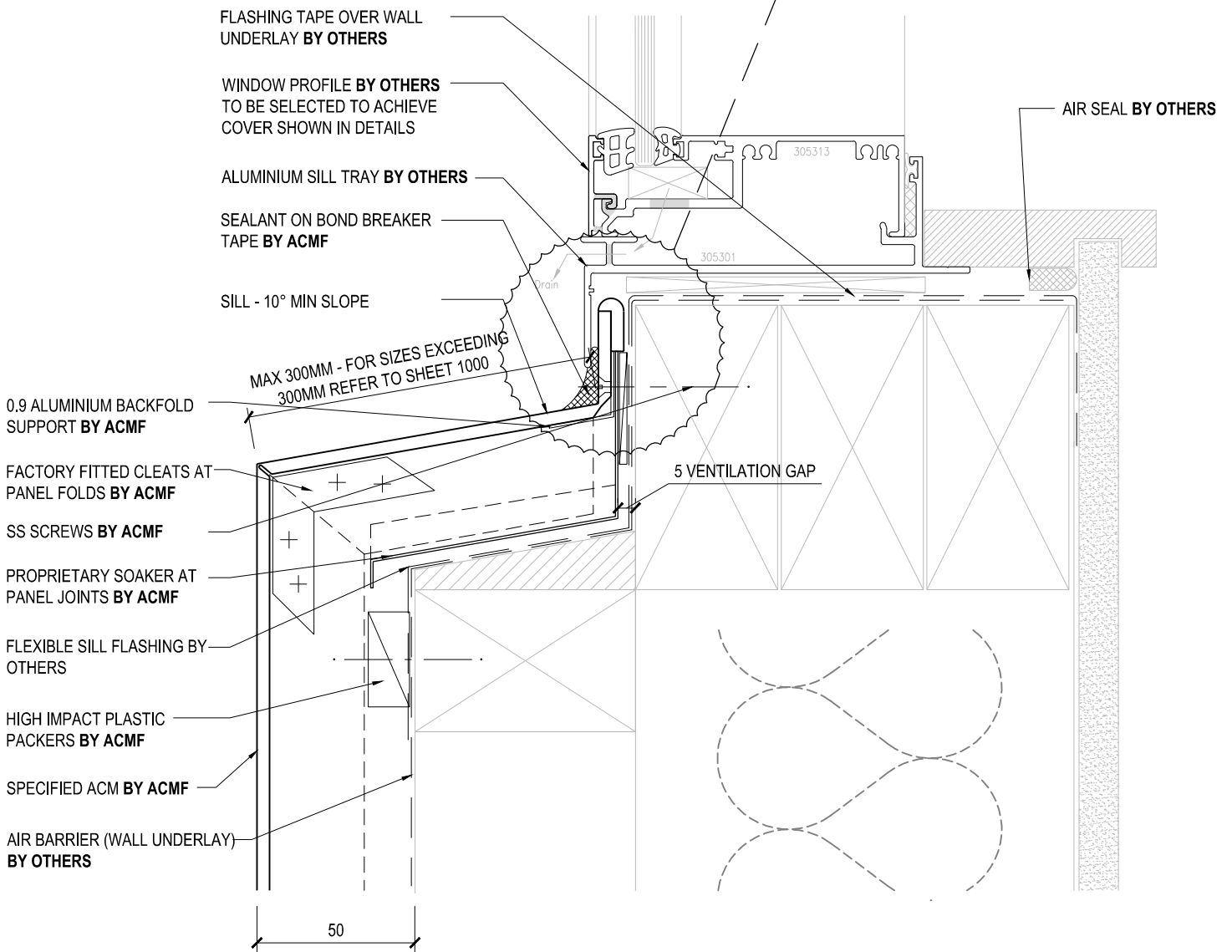
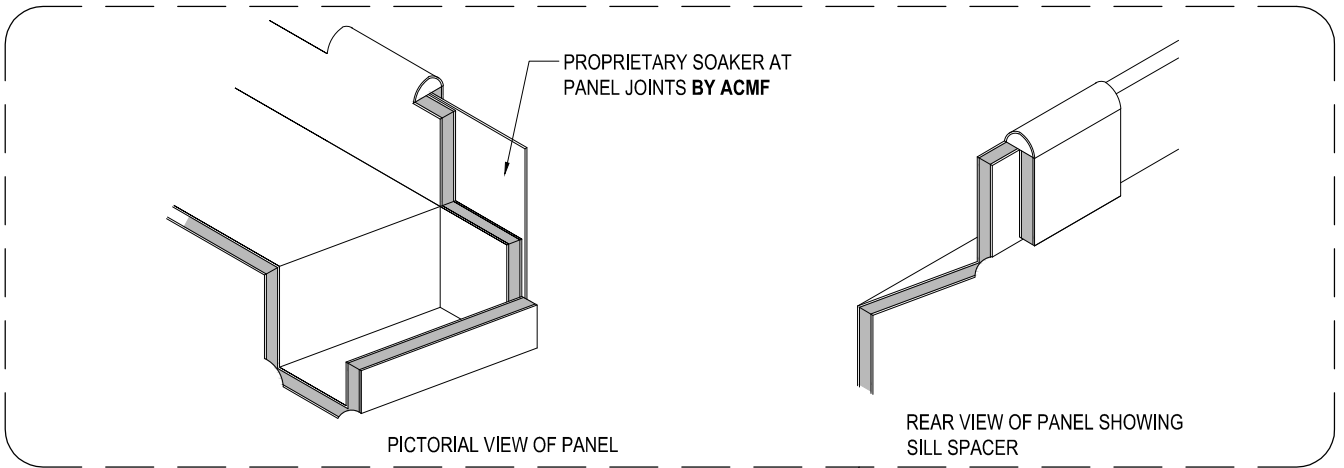
42

ISSUE

A

SCALE: 1:5

DATE: JUNE 2017



DRAWING TITLE

COMMERCIAL WINDOW SILL DETAIL - RECESSED

DRAWING STATUS

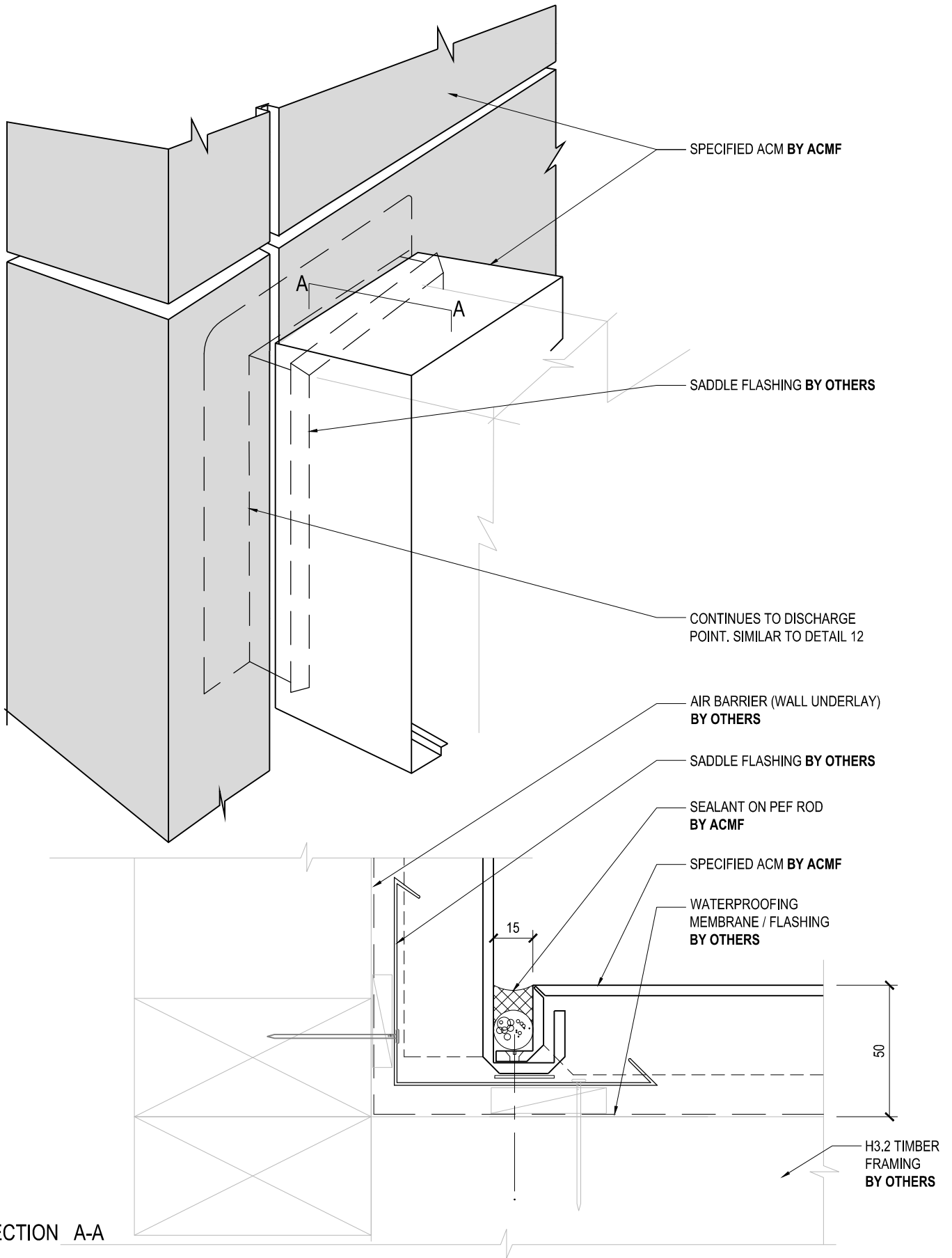
ARCHITECTURAL RESOURCE

SHEET NO. ISSUE

43 A

SCALE: 1:2

DATE: JUNE 2017



DRAWING TITLE

ACM TO ACM CONNECTION

DRAWING STATUS

ARCHITECTURAL
RESOURCE

SHEET NO.

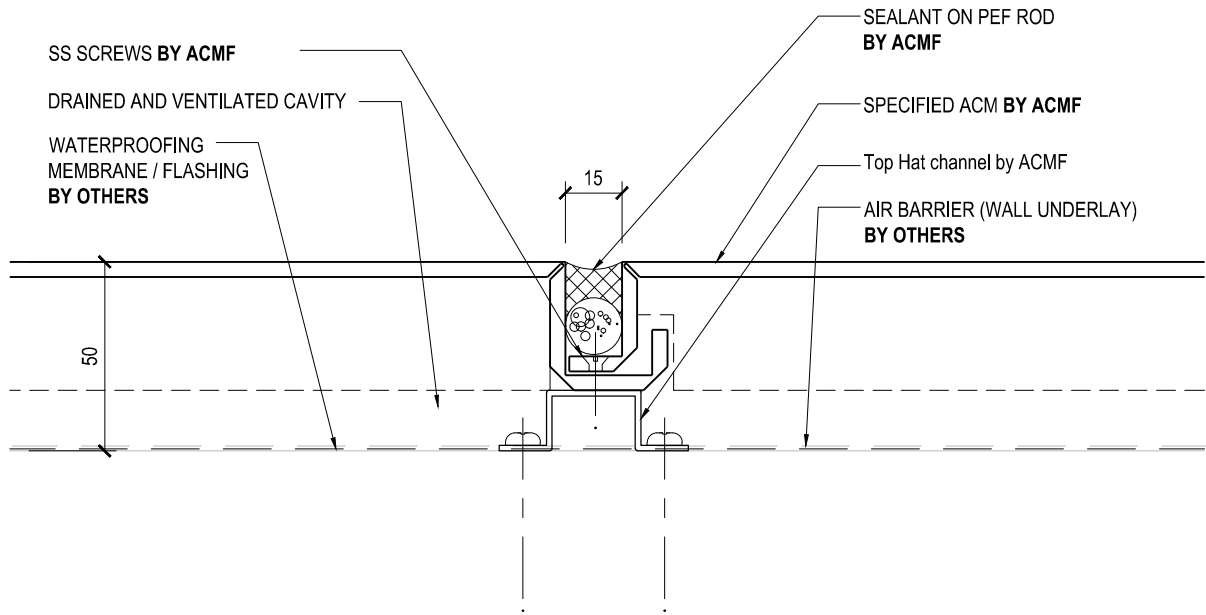
44

ISSUE

A

SCALE: 1:2

DATE: JUNE 2017



NOTE

- THIS DETAIL APPLIES TO ACM JOINTS LONGER THAN 300MM SLOPING LESS THAN 30°.



DRAWING TITLE	DRAWING STATUS
JOINT WITH EDGE SUPPORT DETAIL	ARCHITECTURAL RESOURCE

SHEET NO.	ISSUE
1000	A
SCALE: 1:2	DATE: JUNE 2017