

## **Cedral Click Horizontal**

*Construction Details*

**New Zealand**





# Table of contents

General information	3
Ventilated facade	4
General components	5
Cedral Click Horizontal with timber batten construction	9
Cedral Click Horizontal with metal top hat construction	26



# General information

This document provides generic construction details for Cedral Click façade systems to assist with the design of Cedral Click façade.

Construction details in this document have been independently certified for the purpose of compliance with Clause E2, External moisture, of the New Zealand Building Code within the scope of E2/VM1.

The weatherproofing performance of any project specific detail or application that is different from or not included in the construction details of this document shall be evaluated by the project engineer or consultant.

It is the responsibility of the project designer, architect and engineer to ensure that the information and construction details provided in this document are appropriate for the intended application.

Cladding support frame and its connection to substructure shall be designed by the project engineer in accordance with the relevant standards. The support frame maximum deflection under the influence of load shall be limited to  $\text{Span}/250$ .

The support frame, fixings, flashings and the like shall be of adequate corrosion resistance appropriate to the corrosivity category of the project location.

Non-proprietary flashings and capping shall be designed with respect to project wind loading, relevant standards and regulations.

This document is not designed to serve as an installation guide, and is intended to be used in conjunction with other relevant technical and installation documents.

Construction details contained in this document are not to a specific scale, and are for illustration purposes only.

The information in this document is correct at the time of issuing. However, due to our committed program of continuous material and system development we reserve the right to amend or alter the information contained therein without prior notice. Please contact your local Cedral sales organisation to ensure you have the most current version.

This document is supplied in good faith and no liability can be accepted for any loss or damage resulting from its use. All the content of this document is © Copyright of Etex Group. All rights reserved.

This document is protected by International copyright laws. Reproduction and distribution in whole or in part without prior written permission is strictly prohibited. Cedral and logos are trademarks of Etex NV or an affiliate thereof. Any use without authorisation is strictly prohibited and may violate trademark laws.

# Ventilated facade

Cedral Lap and Click are designed for a ventilated façade system.

A ventilated façade is a kind of two stage construction, an inner structure with a protective outer skin, and the cladding panel or rainscreen. A ventilated façade consists of an insulated and weathertight structure, a ventilated cavity formed with a cladding support frame, and the cladding panel.

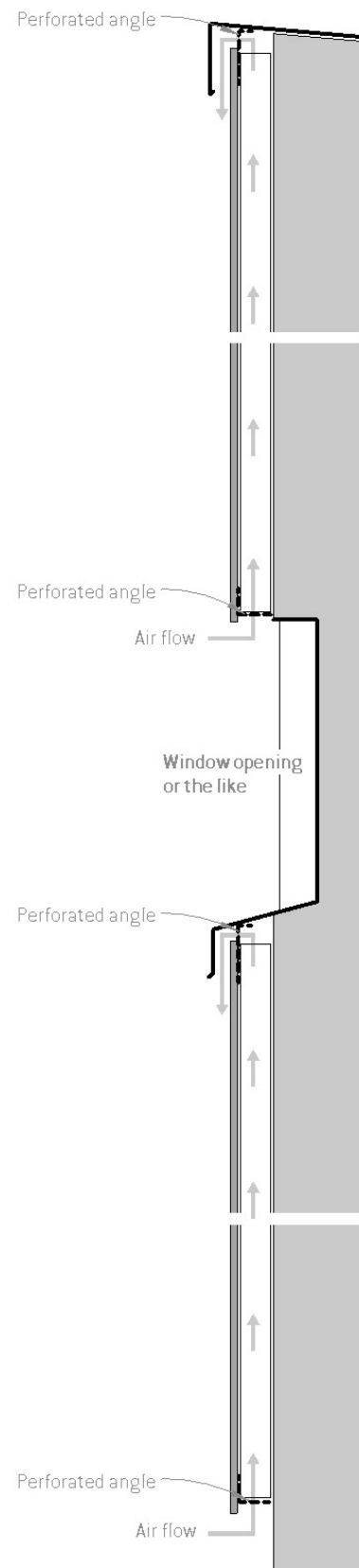
Allowance for adequate ventilation is paramount in ensuring a successful Cedral façade. Ventilated façades provide a number of added benefits to the building and its occupants. These may include but are not limited to the following:

- Positive contribution to energy savings
- Minimises thermal bridges
- Assists with condensation management
- Reduces thermal movement of the structure and cladding support frame
- Dissipates radiant heat
- Increases acoustic performance of the external wall
- Provides an effective drainage path for any moisture passing the cladding skin
- Eliminates the need for exposed caulking and sealant, therefore reducing maintenance requirements
- Assists with keeping the weather barrier dry and healthy
- Provides opportunities for concealing external services such as downpipes within the cavity
- Proven to be a more sustainable and healthier façade construction
- Architectural design freedom

Air must be allowed to enter the cavity from bottom of the façade, window head, soffit, slab junctions, and the like, and exit from top of the façade, capping, window sill, slab and soffit interfaces, and the like.

All air inlets and outlets shall be protected against entry of birds and vermin into the cavity with a corrosion resistant perforated profile (angle).

The perforated angle should be of maximum 0.9mm in thickness, where placed between the cladding panel and support frame, and be of a minimum 50% open area with aperture size of maximum 3mm to 5mm. The perforations must be kept open and unobstructed to maintain drainage and ventilation of the cavity. The perforated angle shall be positioned to allow an adequate drip edge to the cladding panel.





# General components



CEDRAL CLICK



CEDRAL CLICK SMOOTH

Cedral Click is supplied in a range of 22 factory applied colours and two wood stain finishes, providing an aesthetic option to suit most project requirements. Refer to <https://www.cedral.world/en-nz/cladding/> for all available colours and finishes. Bespoke colours are subject to minimum order quantities and extended lead times.

## CEDRAL CLICK profiles

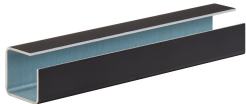
**Starter profile**  
For Cedral Click horizontal



**External corner profile**



**External corner junction (connector) profile**





# General components

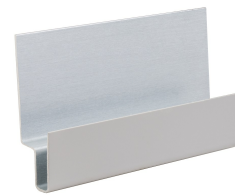
## Internal corner profile



## End profile



## Lintel profile



## EPDM strip

0,75mm flat EPDM strip 100mm wide.

Applied on timber cavity battens for moisture protection as specified on the construction details



## EPDM compressible gasket

Tesa® 61102

A compressible closed-cell EPDM gasket used for sealing interfaces with flashings and the like  
Minimum width: 9mm



# General components

## Expanding foam gasket

pro clima CONTEGA® FIDEN EXO

A pre-compressed sealing tape used to seal interfaces with window joineries and the like as specified on the construction details.

The required tape size depends on the gap which needs to be sealed. Refer to pro clima CONTEGA® FIDEN EXO datasheet to determine the required tape size.



## Weather resistive barrier option 1

pro clima SOLITEX EXTASANA®

Cedral façade systems have been certified with pro clima SOLITEX EXTASANA® to E2/VM1 for the purpose of compliance with Clause E2 of the NZBC for the following scope:

- Serviceability wind pressure: Up to  $\pm 1515\text{Pa}$
- Ultimate wind pressure: Up to  $\pm 2500\text{Pa}$
- Building height: Up to 10m

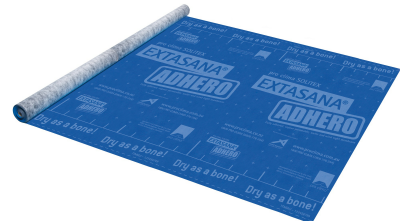
pro clima SOLITEX EXTASANA® shall be applied in accordance with pro clima SOLITEX EXTASANA® installation guidelines and relevant standards.



## Weather resistive barrier option 2

pro clima SOLITEX EXTASANA® AHERO

Where a rigid air barrier is required the ADHERO version of pro clima SOLITEX EXTASANA® may be used with 6mm Kalsi (RigidBacker) fibre cement sheeting. pro clima SOLITEX EXTASANA® AHERO and Kalsi shall be applied in accordance with their respective installation guidelines and recommendations. Same wind pressure and building height limits as those of Option 1 apply unless otherwise specified by project engineer.



## Flashing tape

pro clima TESCON EXTORA®

A pressure sensitive adhesive tape for overlaps and end laps used with both weather resistive barrier options.



## Sill tape

pro clima TESCON EXTOSEAL®

A flexible tape for use around window and door openings, used with both weather resistive barrier options.



# General components

## Sealing tape

pro clima TESCON® NAIDECK mono patch

A single-sided adhesive nail or screw sealing adhesive used with both weather resistive barrier options.



## Foil tape

pro clima TESCON® ADHISO WS

A pure aluminium tape for wet seal connections to TESCON EXTOSEAL® and EXTORA® and SOLITEX EXTASANA®.



## Grommet

pro clima ROFLEX and KALFEX

pro clima ROFLEX is used to seal pipe and pro clima KALFEX for cable penetrations. pro clima ROFLEX and KALFEX are used with both weather resistive barrier options.





# CEDRAL

**Cedral Click Horizontal**  
*With Timber Batten Construction*



# Fixings and support frame

## **CEDRAL CLICK Horizontal with timber batten construction**

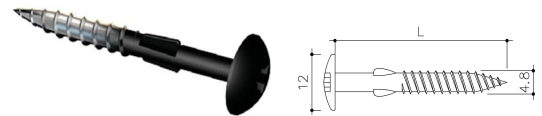
Cedral Click may be fixed horizontally to vertical timber battens.

### **Fixings**

Cedral Click stainless steel (304) clip and screw



Cedral Click colour matched mushroom head screw for fixing Cedral Click to timber batten where fixings are visible (4.8 x 38 mm, head diameter ~12 mm, TORX T20, stainless steel 304)



### **Support frame**

Cedral Click may be fixed to vertical timber battens with minimum depth of 35mm and width of 70mm (35 x 70 mm).

Timber battens shall be of minimum preservative treatment of H3.1, and of minimum structural grade of SG6 as per the relevant standards.

Maximum deflection of support framing must be limited to Span/250. Structure and support frame shall be designed to relevant standards including, but not limited to, the following:

- AS/NZS 4600 – Cold-formed steel structures
- NZS 3404 – Steel structures
- NZS 3604 – Timber framed buildings



# Construction details

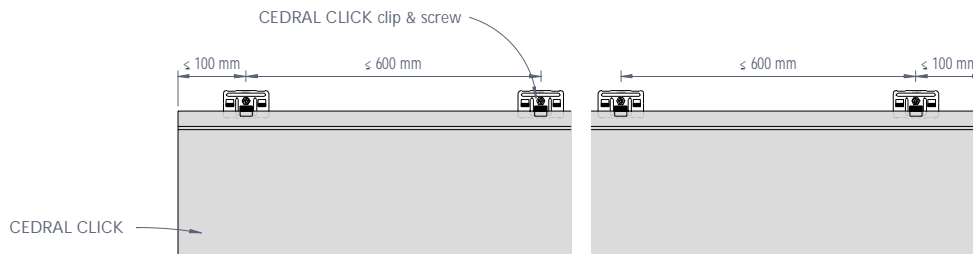


Figure 1: CEDRAL CLICK fixings arrangement - Elevation

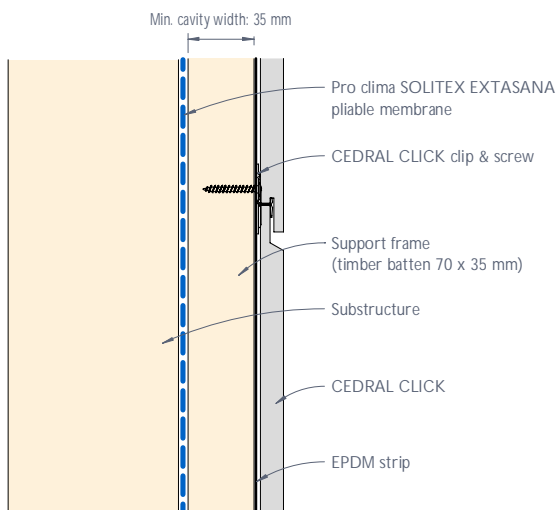


Figure 2: CEDRAL CLICK typical horizontal joint

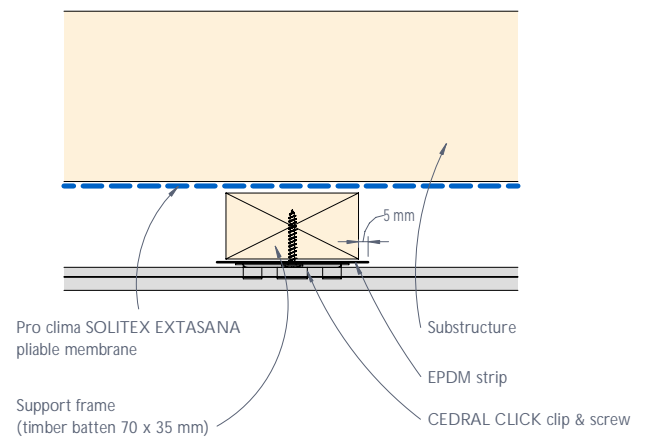


Figure 3: CEDRAL CLICK Intermediate fixing detail - Plan view

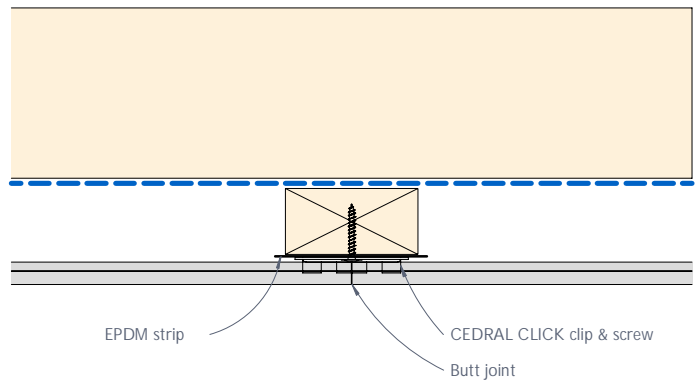


Figure 4: CEDRAL CLICK vertical joint

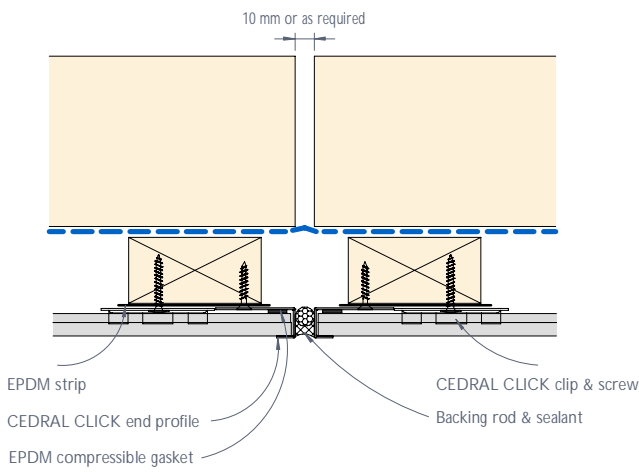


Figure 5: CEDRAL CLICK vertical control joint - Detail 1

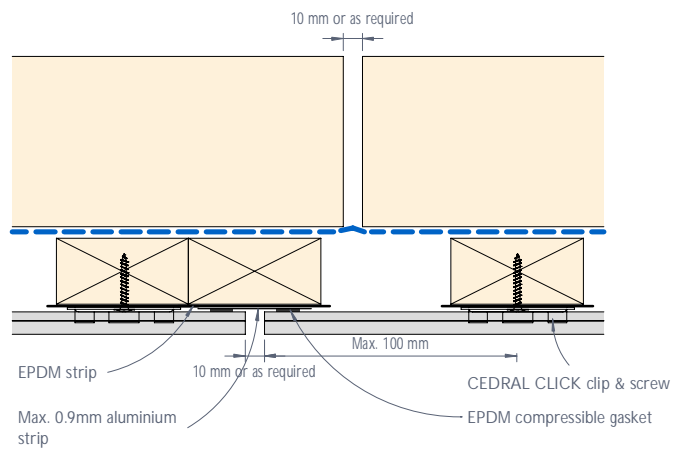


Figure 6: CEDRAL CLICK vertical control joint - Detail 2

Note

Support frame (battens) must NOT be fixed crossing over a control joint.

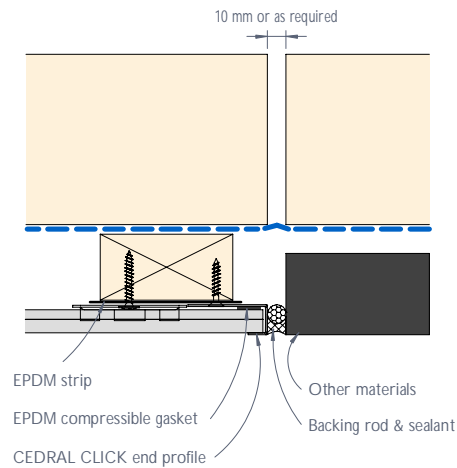


Figure 7: CEDRAL CLICK vertical control joint - Detail 3

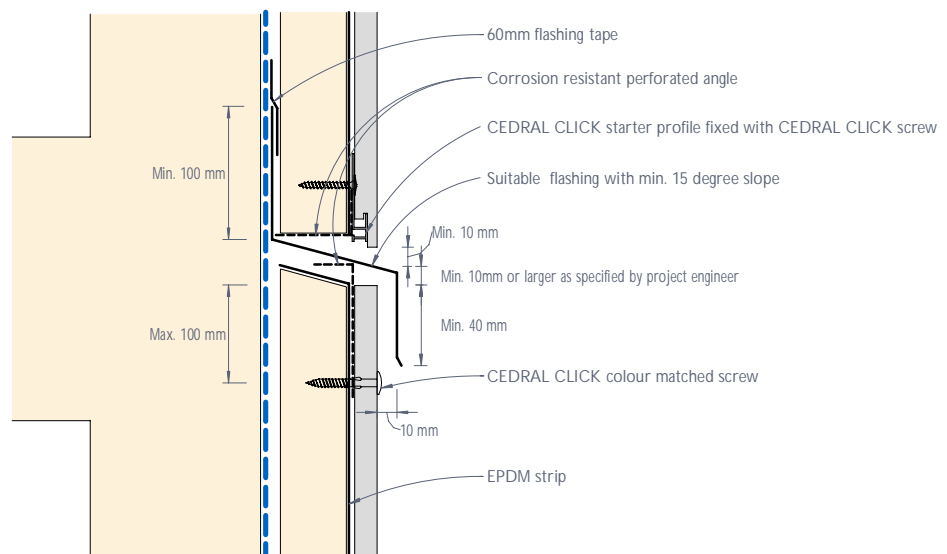


Figure 8: CEDRAL CLICK horizontal control joint and inter-storey detail

#### Notes

- 1) Support frame (battens) must NOT be fixed crossing over a control joint.
- 2) Corrosion resistant perforated angle shall be of max. thickness of 0.9mm where located between panel and support frame, and be of min. 50% open area.

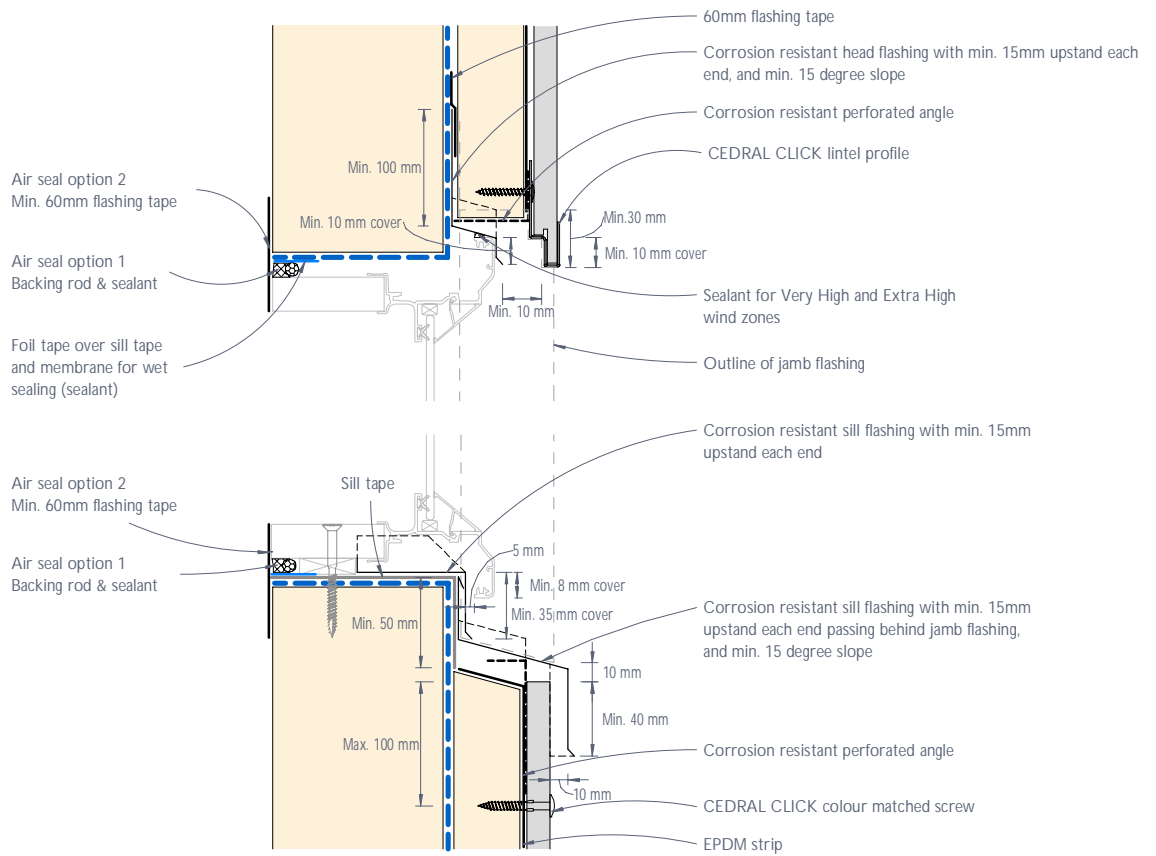


Figure 9: CEDRAL CLICK window head and sill junction or the like - Recessed detail

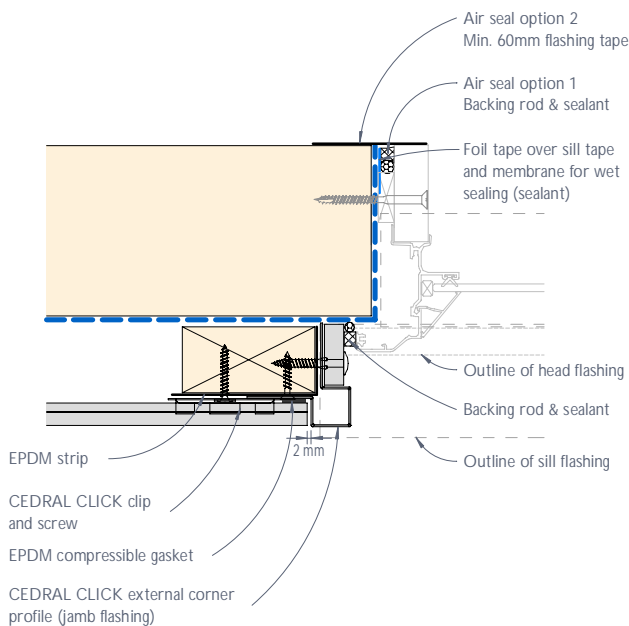


Figure 10: CEDRAL CLICK window jamb junction or the like Recessed detail option 1

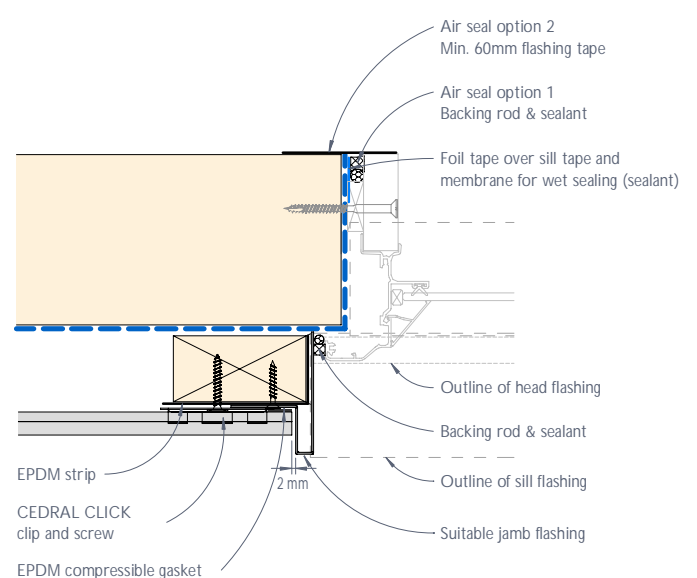


Figure 11: CEDRAL CLICK window jamb junction or the like Recessed detail option 2

### Notes

- 1) ONLY sealant compatible with the foil tape should be used. Should any sealant be intended to be used directly on the flashing and/or sill tape it must be confirmed with its manufacturer to ensure compatibility with these tapes in accordance with the relevant standards.
- 2) Corrosion resistant perforated angle shall be of max. thickness of 0.9mm where located between panel and support frame, and be of min. 50% open area.

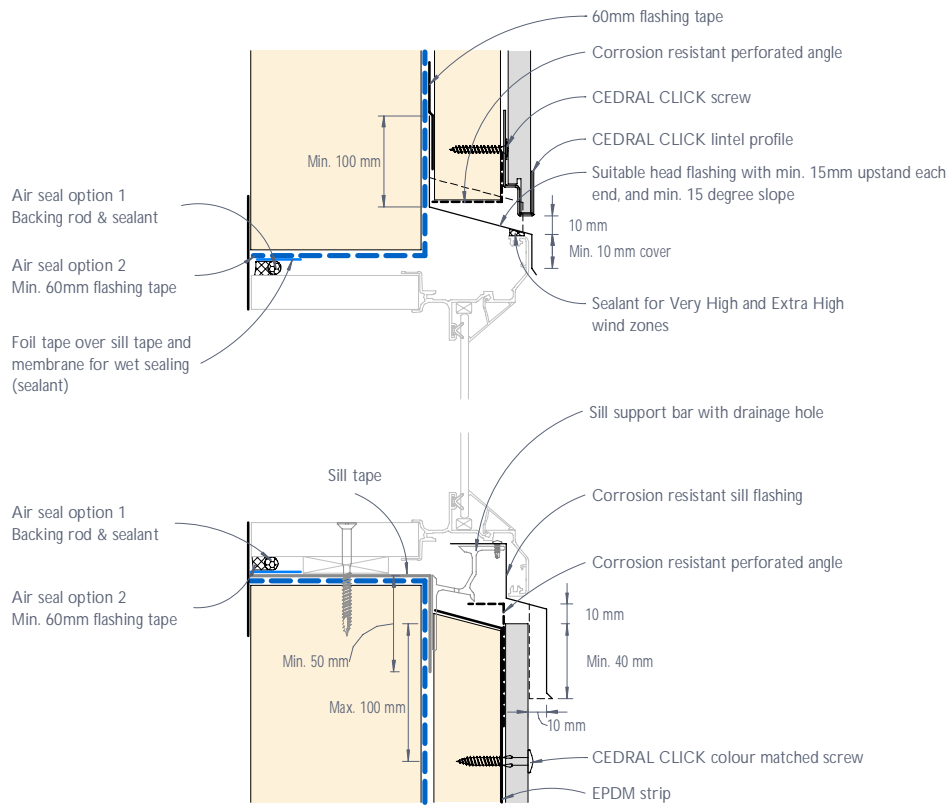


Figure 12: CEDRAL CLICK window head and sill junction - Flush detail

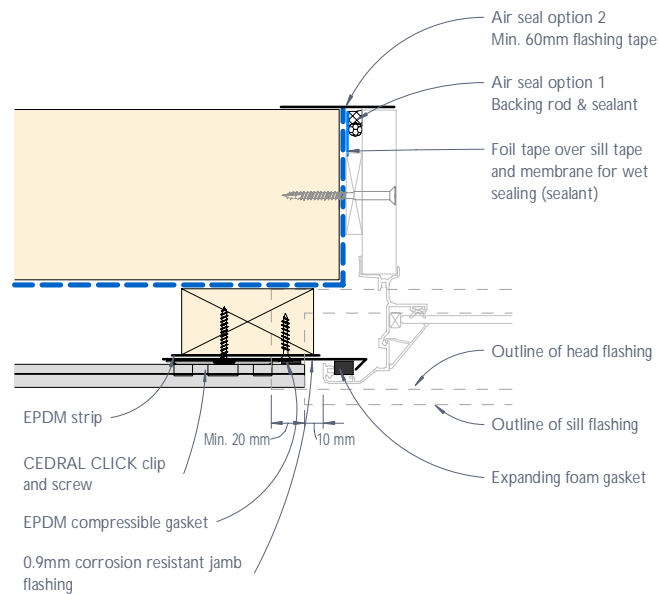


Figure 13: CEDRAL CLICK window jamb junction or the like - Flush detail

Notes

- 1) ONLY sealant compatible with the foil tape should be used. Should any sealant be intended to be used directly on the flashing and/or sill tape it must be confirmed with its manufacturer to ensure compatibility with these tapes in accordance with the relevant standards.
- 2) Corrosion resistant perforated angle shall be of max. thickness of 0.9mm where located between panel and support frame, and be of min. 50% open area.

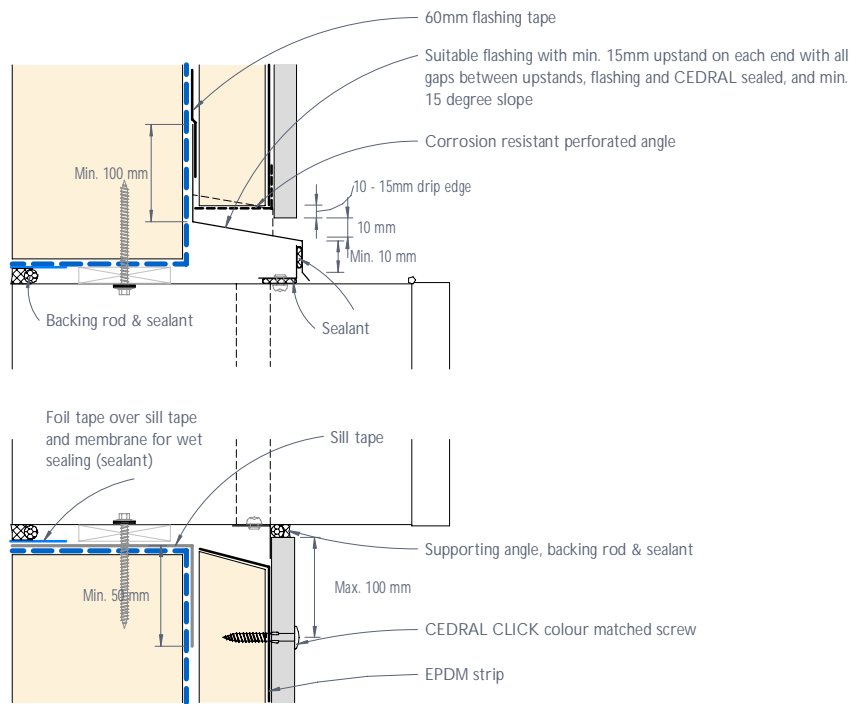


Figure 14: CEDRAL CLICK meter box junction - Section

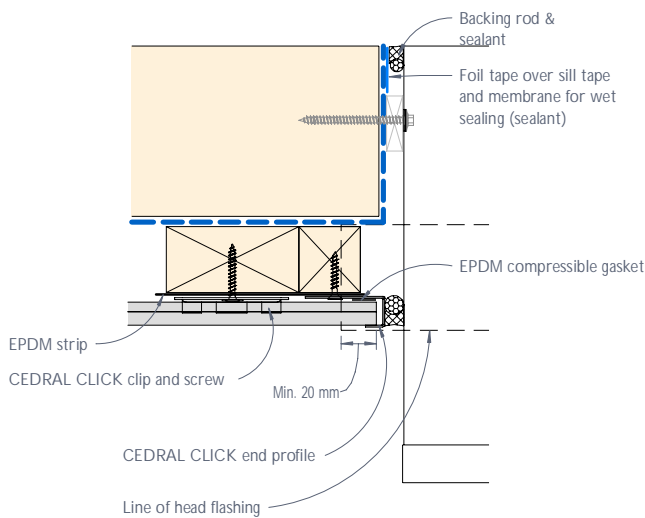


Figure 15: CEDRAL CLICK meter box junction Plan view - Option 1

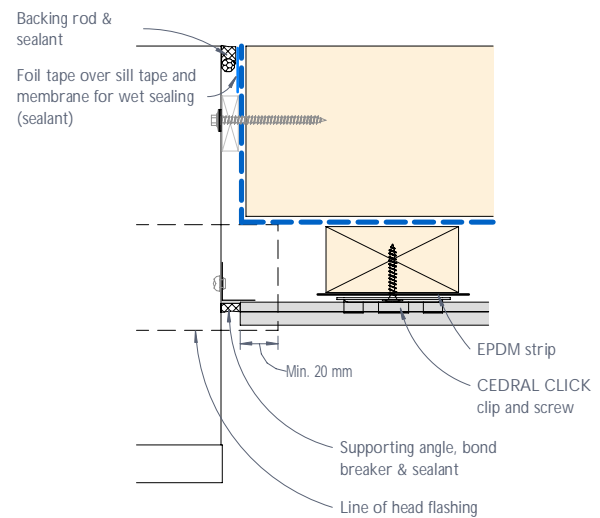


Figure 16: CEDRAL CLICK meter box junction Plan view - Option 2

Notes

- 1) ONLY sealant compatible with the foil tape should be used. Should any sealant be intended to be used directly on the flashing and/or sill tape it must be confirmed with its manufacturer to ensure compatibility with these tapes in accordance with the relevant standards.
- 2) Corrosion resistant perforated angle shall be of max. thickness of 0.9mm where located between panel and support frame, and be of min. 50% open area.



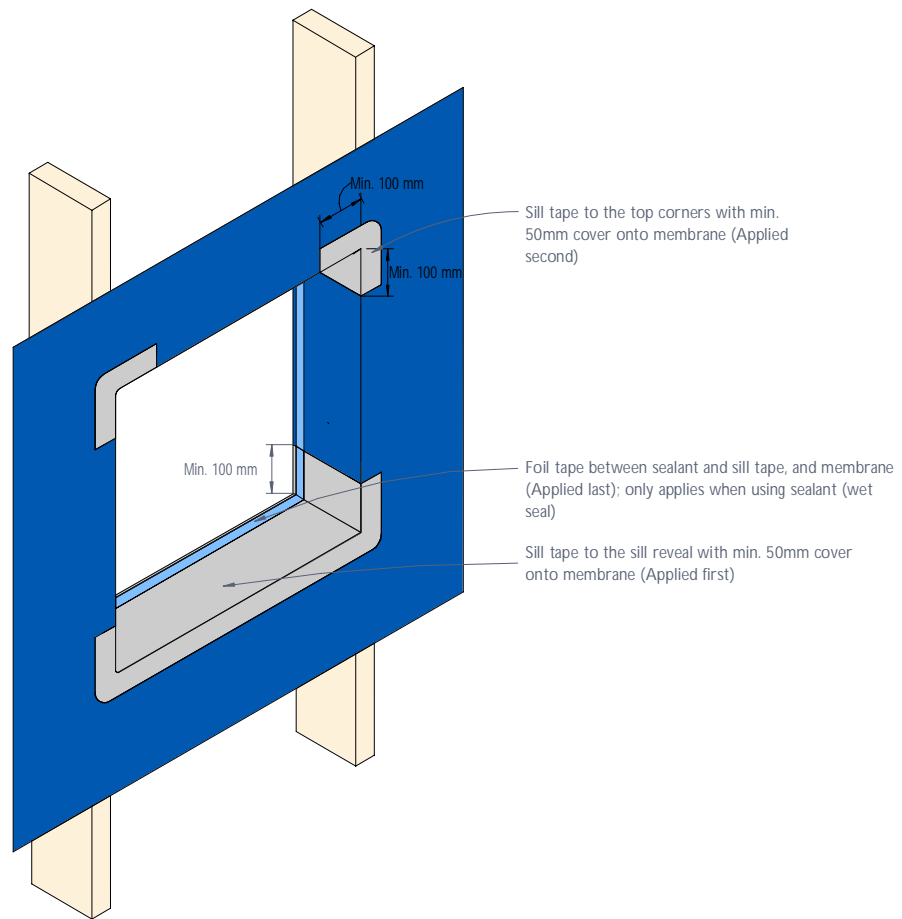


Figure 17: Isometric view of window/meter box opening - Tape application

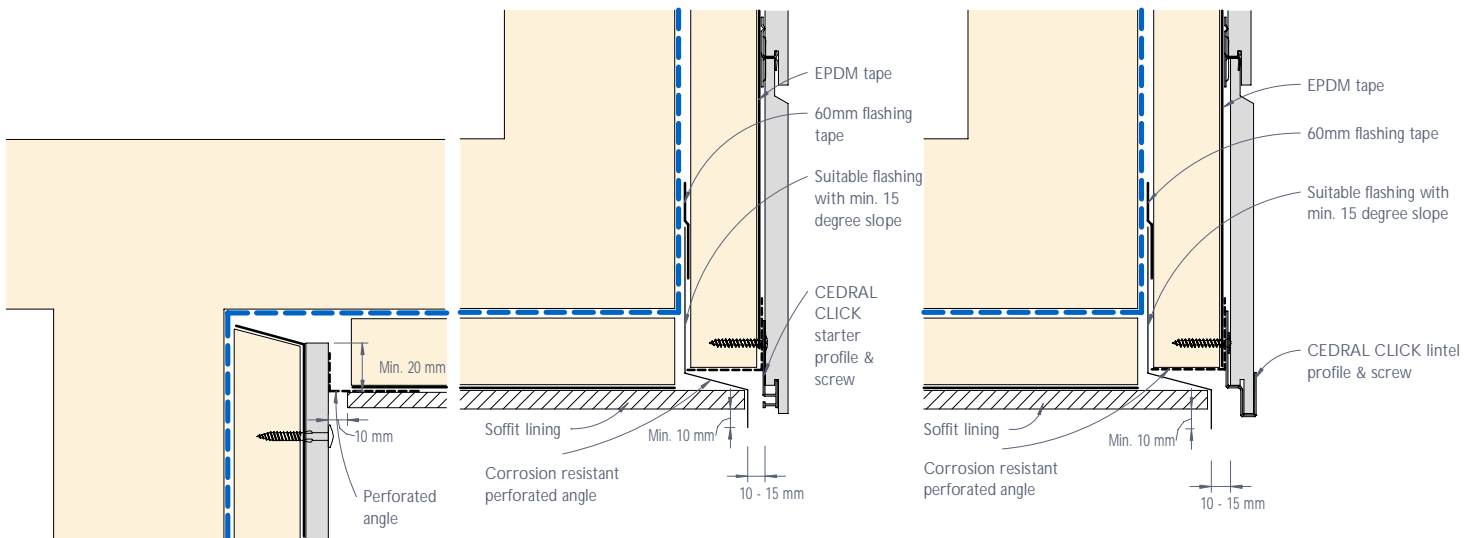


Figure 18: CEDRAL CLICK soffit junction

Figure 19: CEDRAL CLICK soffit junction with lintel profile

Notes

- 1) ONLY sealant compatible with the foil tape should be used. Should any sealant be intended to be used directly on the flashing and/or sill tape it must be confirmed with its manufacturer to ensure compatibility with these tapes in accordance with the relevant standards.
- 2) Support frame (battens) must NOT be fixed crossing over a control joint.
- 3) Corrosion resistant perforated angle shall be of max. thickness of 0.9mm where located between panel and support frame, and be of min. 50% open area.

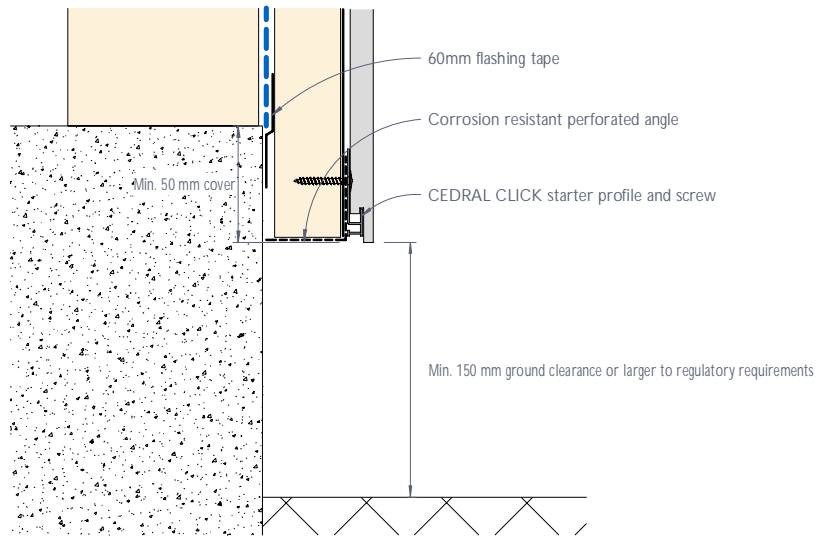


Figure 18: CEDRAL CLICK base detail

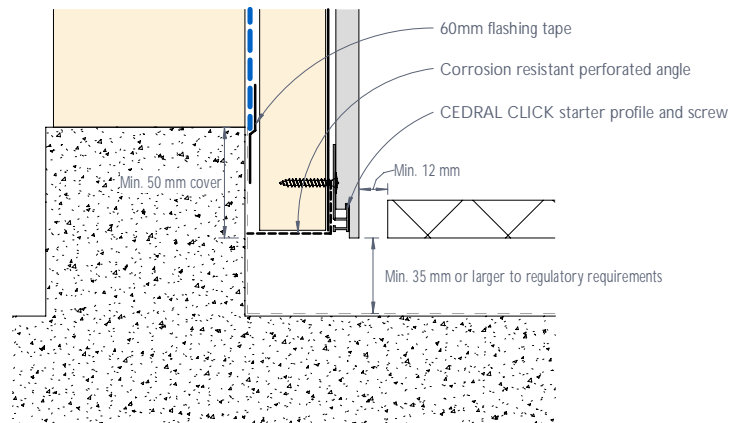


Figure 19: CEDRAL CLICK base detail - Covered area

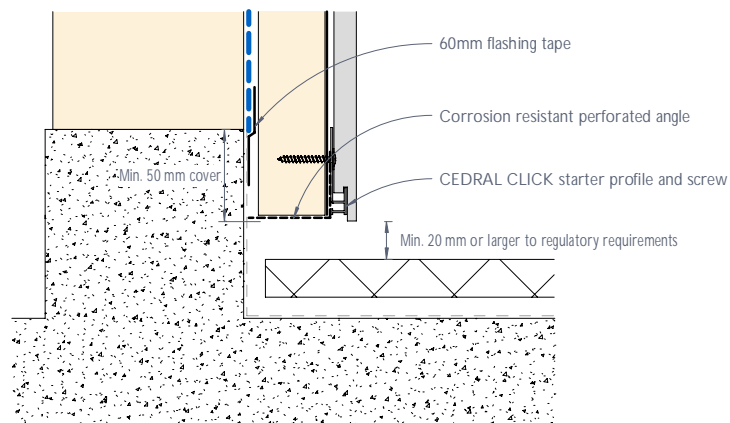


Figure 20: CEDRAL CLICK base detail - Balcony

#### Notes

- 1) Corrosion resistant perforated angle shall be of max. thickness of 0.9mm where located between panel and support frame, and be of min. 50% open area.
- 2) Refer to pro clima's application guide for the application of the flashing tape and any pre-treatment required on various substrates including concrete and masonry.

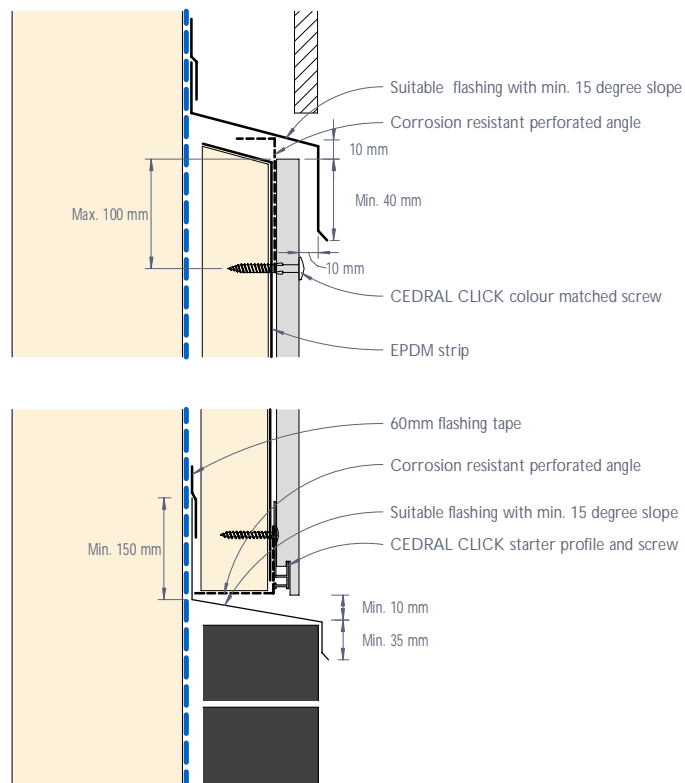


Figure 21: CEDRAL CLICK junction with other materials - Flush detail

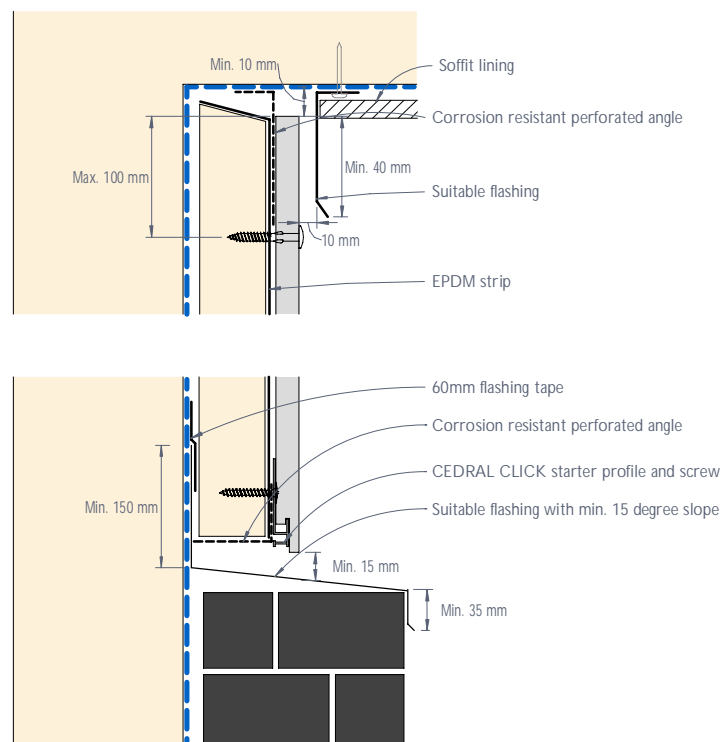


Figure 22: CEDRAL CLICK junction with other materials, eaves or the like - Recessed detail

Notes

- 1) Support frame (battens) must NOT be fixed crossing over a control joint.
- 2) Corrosion resistant perforated angle shall be of max. thickness of 0.9mm where located between panel and support frame, and be of min. 50% open area.

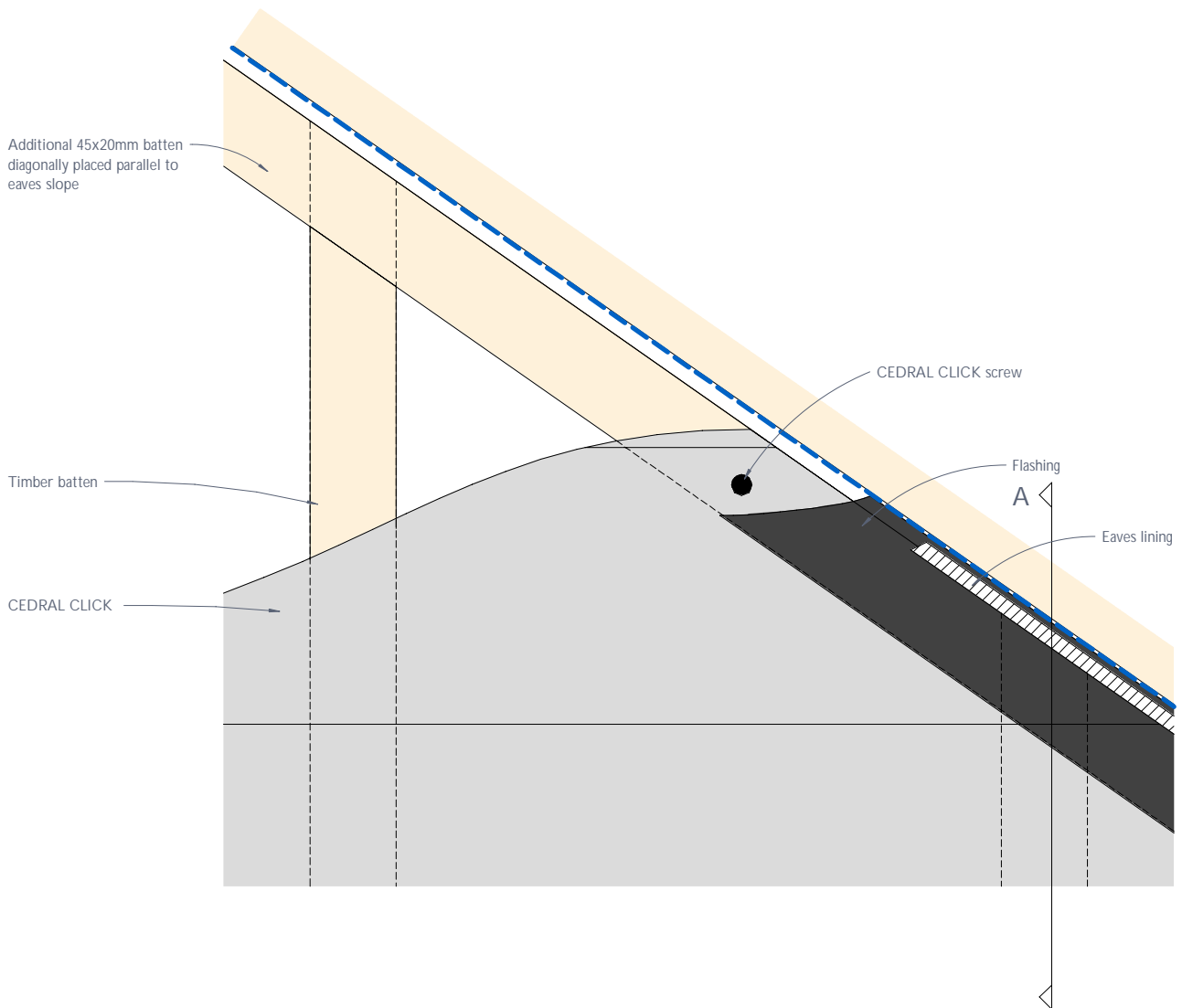


Figure 23: CEDRAL CLICK junction with angled eave - Elevation

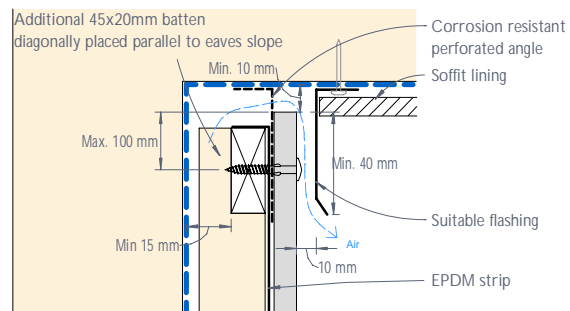


Figure 24: CEDRAL CLICK junction with angled eave - Section A

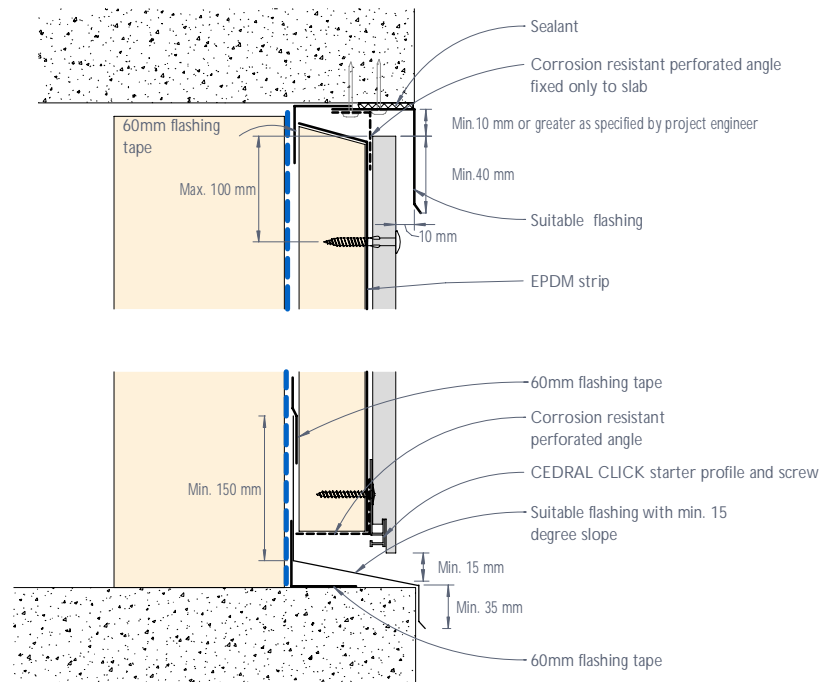


Figure 25: CEDRAL CLICK junction with exposed concrete slab or beam - Cladding flush

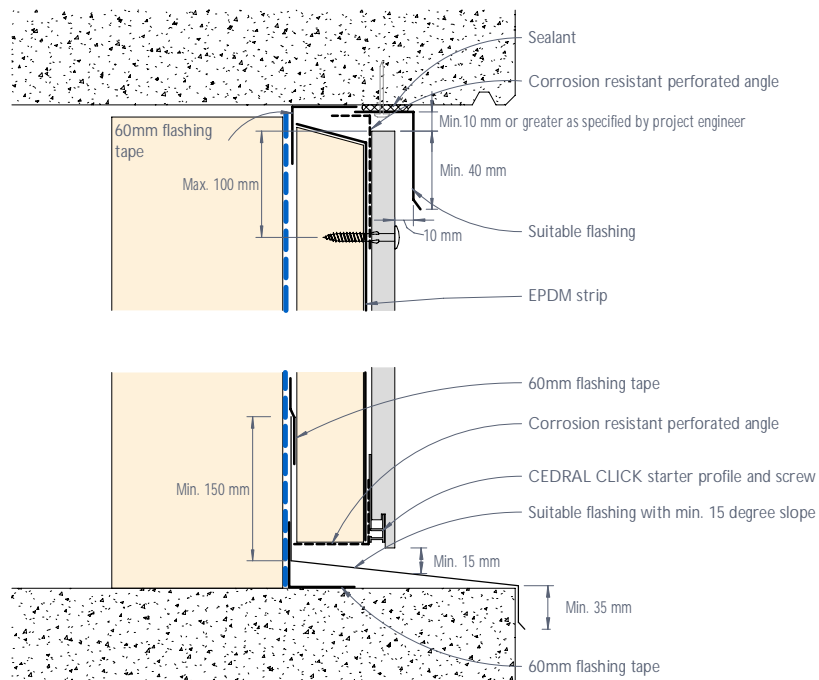


Figure 26: CEDRAL CLICK junction with exposed concrete slab or beam - Cladding recessed

#### Notes

- 1) Support frame (battens) must NOT be fixed crossing over a control joint.
- 2) Corrosion resistant perforated angle shall be of max. thickness of 0.9mm where located between panel and support frame, and be of min. 50% open area.
- 3) Refer to pro clima's application guide for the application of the flashing tape and any pre-treatment required on various substrates including concrete and masonry.

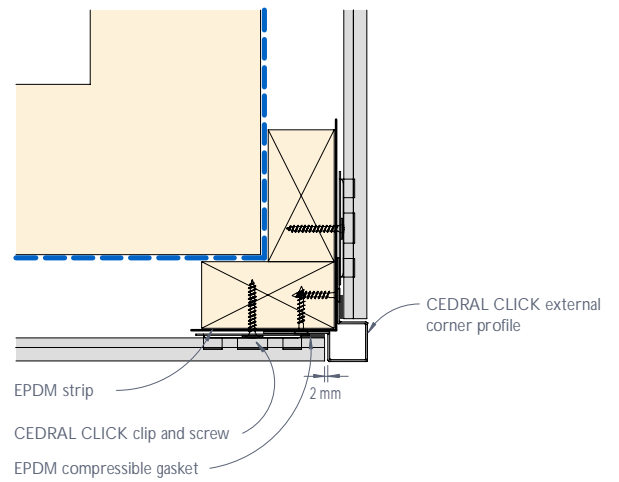


Figure 27: CEDRAL CLICK typical external corner

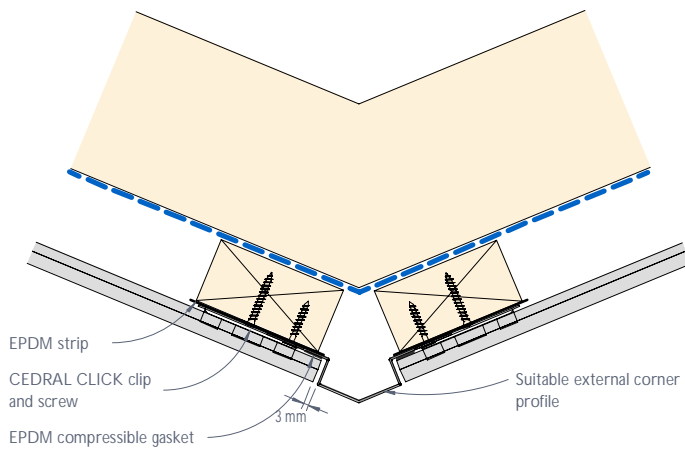


Figure 28: CEDRAL CLICK 45 degree external corner

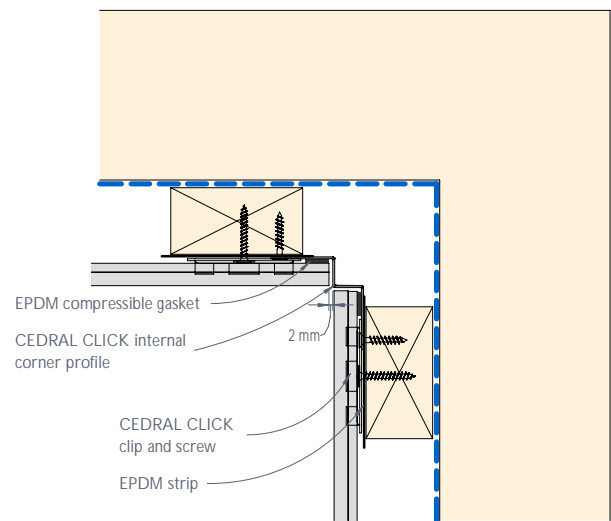


Figure 29: CEDRAL CLICK internal corner

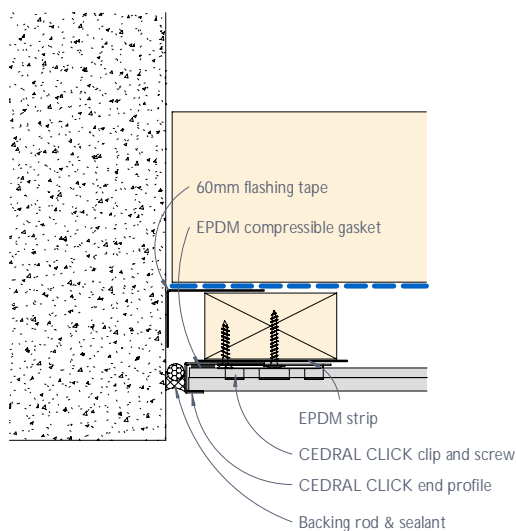


Figure 30: CEDRAL CLICK abutment detail

Note

Refer to pro clima's application guide for the application of the flashing tape and any pre-treatment required on various substrates including concrete and masonry.

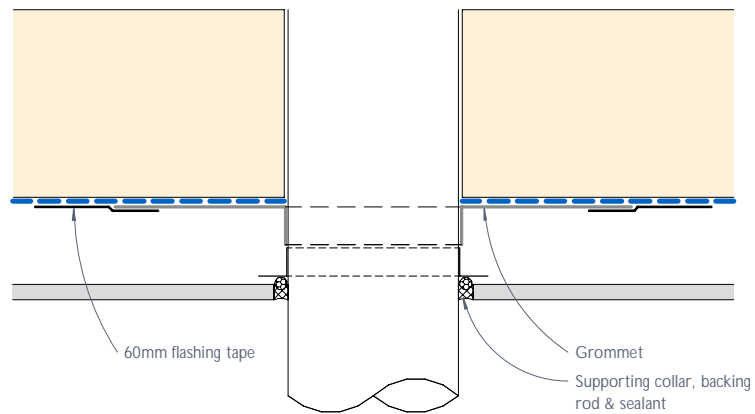


Figure 31: Pipe penetration - Plan view

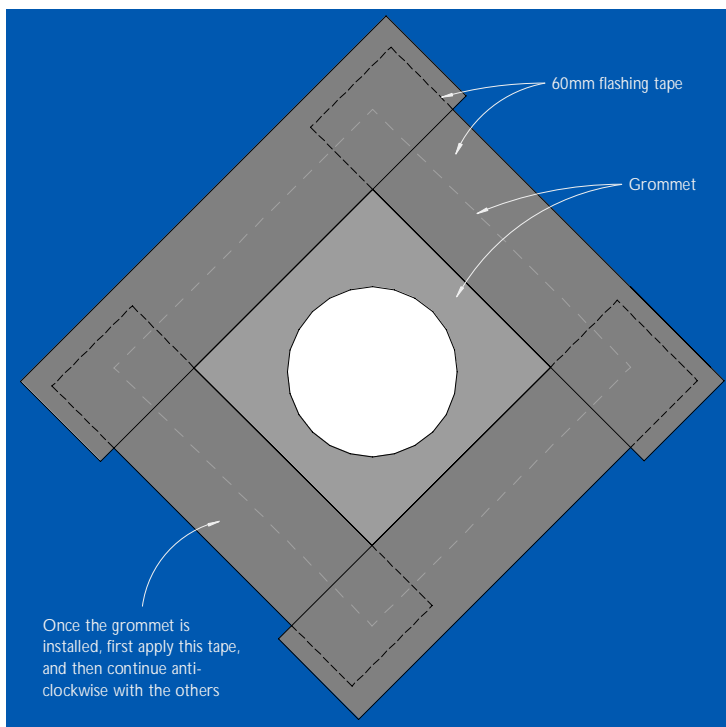


Figure 32: Pipe penetration - Elevation

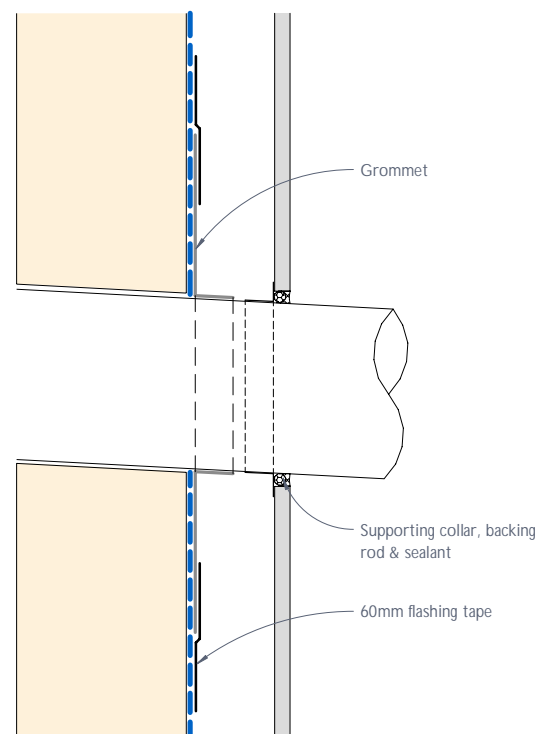


Figure 33: Pipe penetration - Section

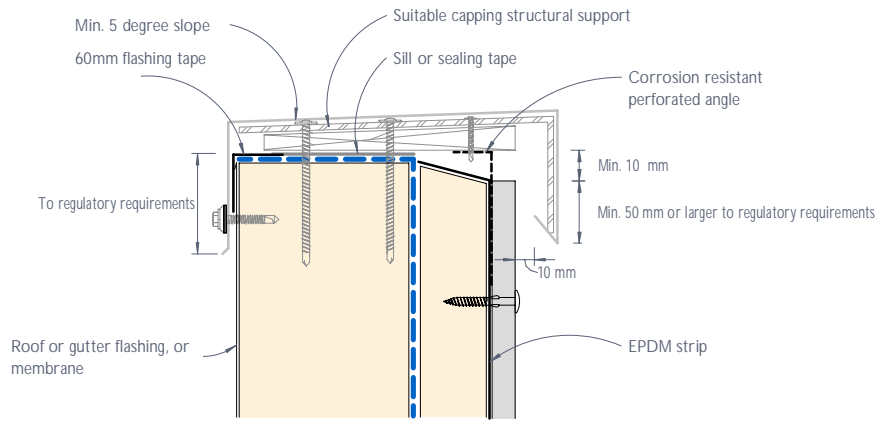


Figure 34: CEDRAL CLICK typical capping detail

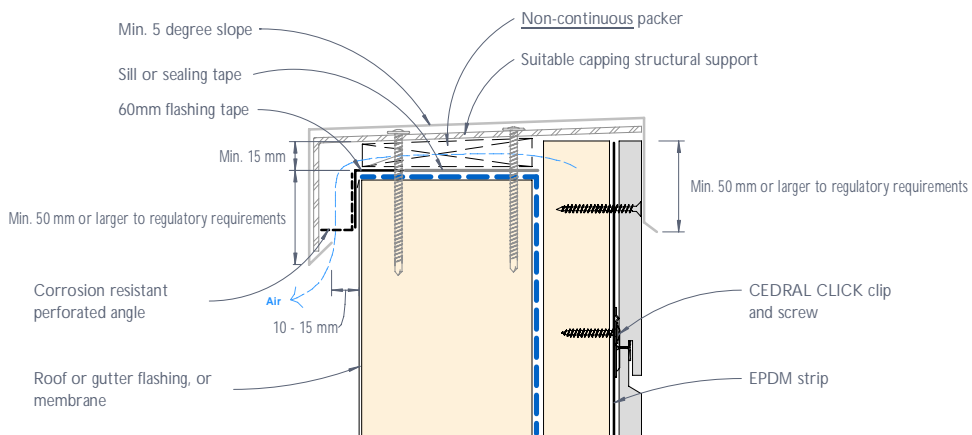


Figure 35: CEDRAL CLICK flush capping detail

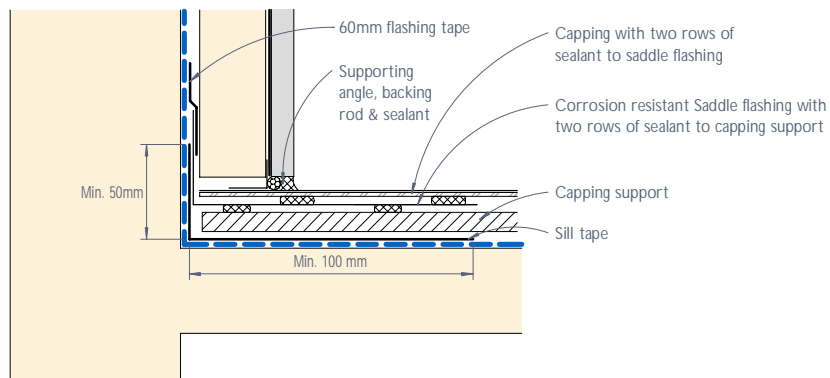


Figure 36: CEDRAL CLICK parapet junction - Section

Notes

- 1) Capping profiles are indicative and for illustration purposes.
- 2) Any face fixings of capping shall be through an over sized hole (by min 5mm) in the capping as well as the panel.
- 3) Capping shall be designed and engineered accordingly to provide adequate allowance for ventilation as shown in Figures 34 & 35.



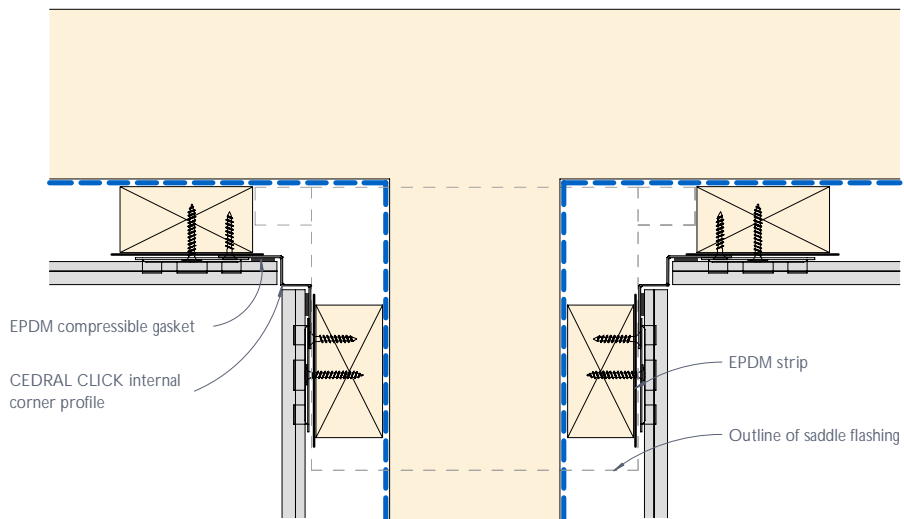


Figure 37: Parapet junction - Plan view

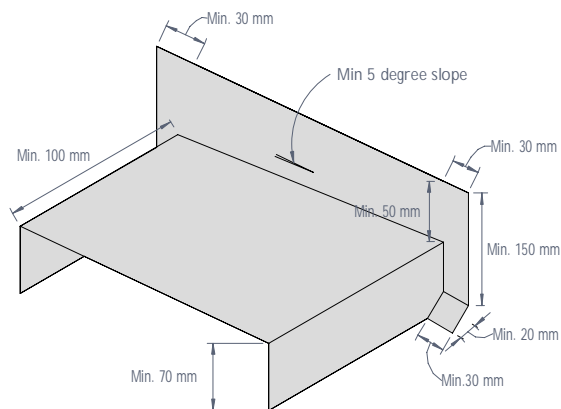


Figure 38: Corrosion resistant saddle flashing

# CEDRAL

## **Cedral Click Horizontal** *With Top Hat Construction*



# Fixings and support frame

## CEDRAL CLICK Horizontal with metal top hat construction

Cedral Click may be fixed horizontally to metal top hat support frame.

### Fixings

Cedral Click stainless steel (304) clip and rivet



Cedral metal screw for fixing Cedral Click to metal support frame  
(4.5 x 32 mm, head diameter ~7 mm, drill point, Phillips n°2, stainless steel 304)



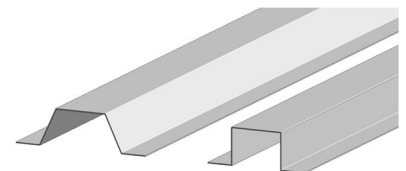
### Support frame

Cedral Click may be fixed to vertical metal top hat profiles with minimum gauge (thickness) of 1.1mm BMT, minimum depth of 35mm, and minimum width of 50mm.

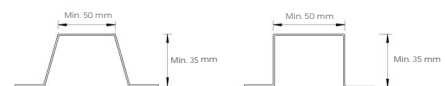
Metal top hats shall be of adequate corrosion resistance required for the project.

Maximum deflection of support framing must be limited to  $\text{Span}/250$ . Structure and support frame shall be designed to relevant standards including, but not limited to, the following:

- AS/NZS 4600 – Cold-formed steel structures
- NZS 3404 – Steel structures
- NZS 3604 – Timber framed buildings



Examples of standard top hat sections



Top hat's minimum size

# Construction details

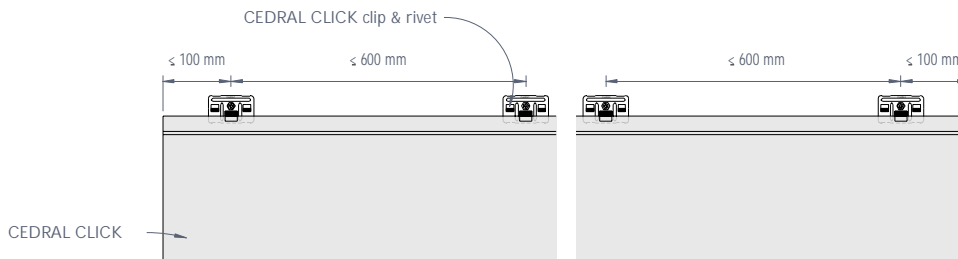


Figure 1: CEDRAL CLICK fixings arrangement - Elevation

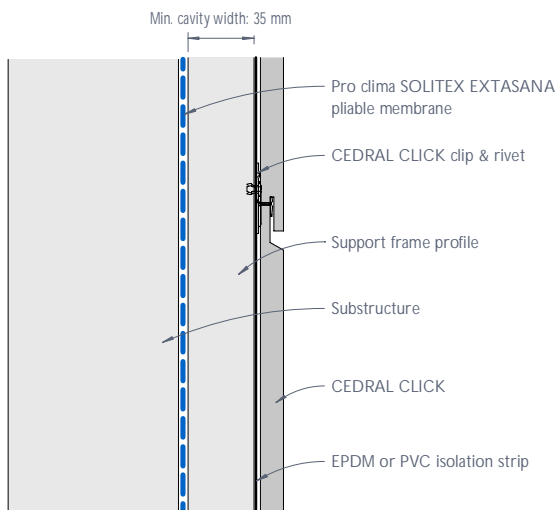


Figure 2: CEDRAL CLICK typical horizontal joint

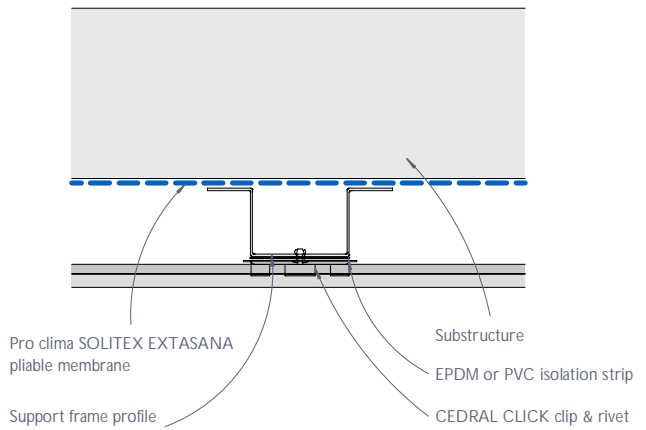


Figure 3: CEDRAL CLICK Intermediate fixing detail - Plan view

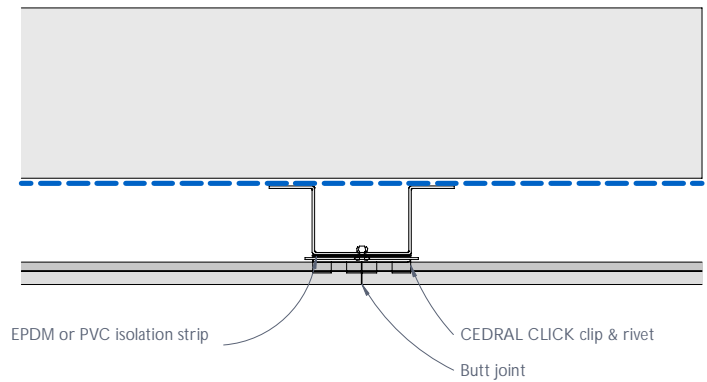


Figure 4: CEDRAL CLICK vertical joint

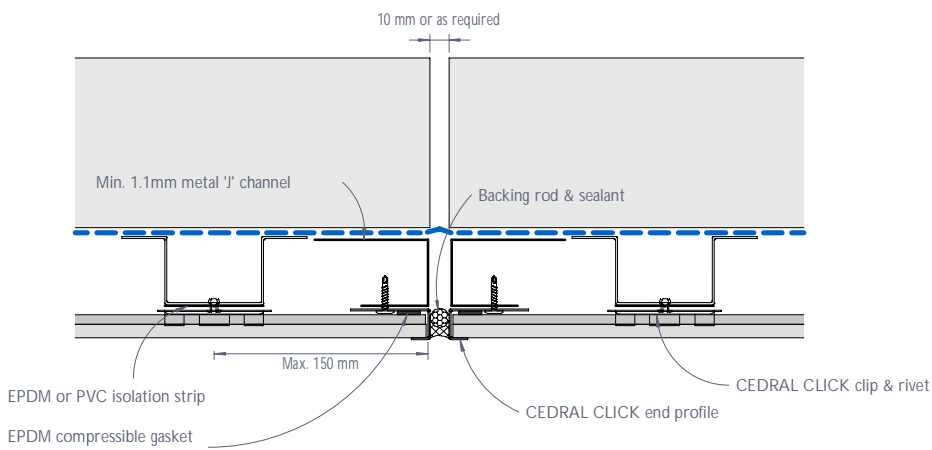


Figure 5: CEDRAL CLICK vertical control joint - Detail 1

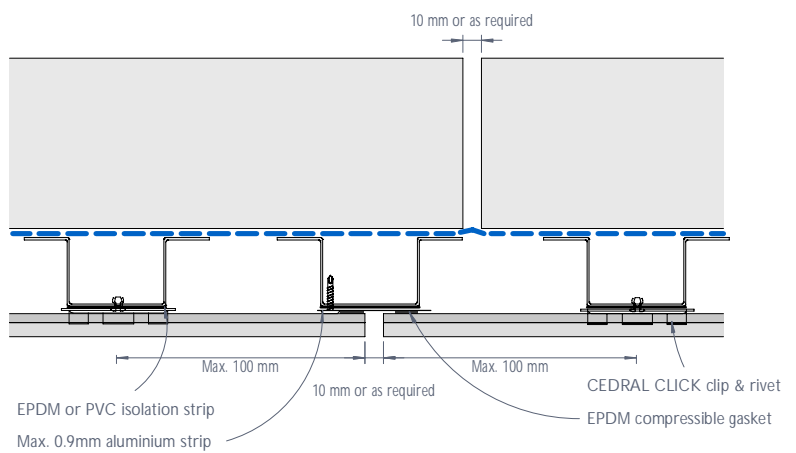


Figure 6: CEDRAL CLICK vertical control joint - Detail 2

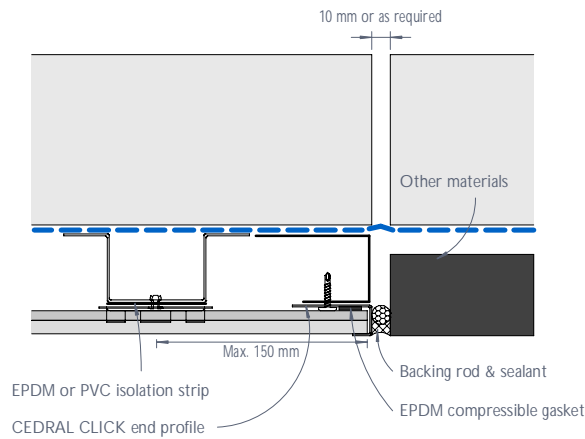


Figure 7: CEDRAL CLICK vertical control joint - Detail 3

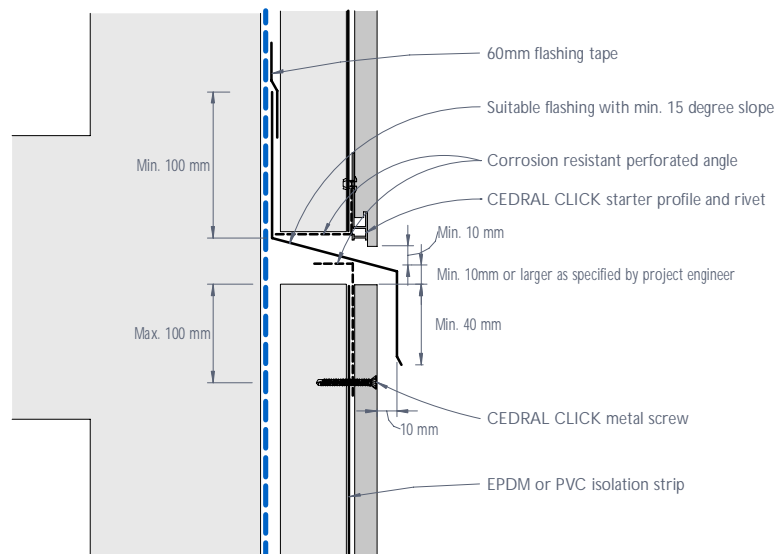


Figure 8: CEDRAL CLICK horizontal control joint and inter-storey detail

Notes

- 1) Support frame (battens) must NOT be fixed crossing over a control joint.
- 2) Corrosion resistant perforated angle shall be of max. thickness of 0.9mm where located between panel and support frame, and be of min. 50% open area.

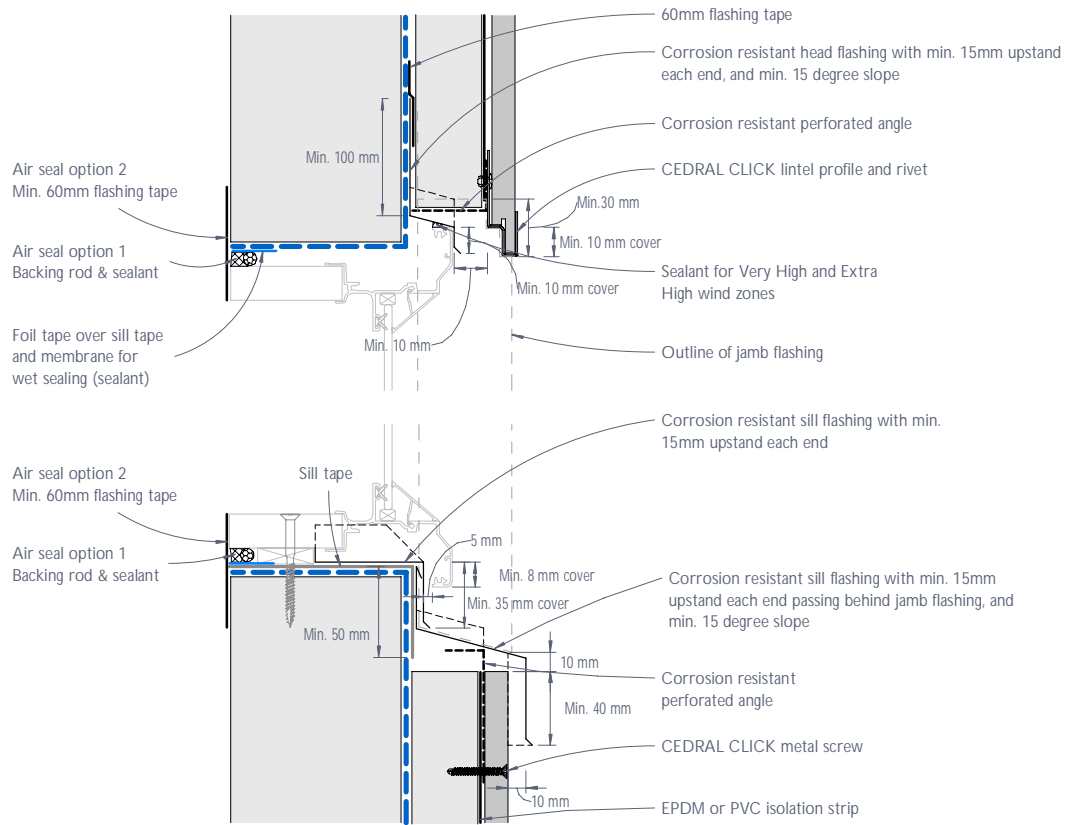


Figure 9: CEDRAL CLICK window head and sill junction or the like - Recessed detail

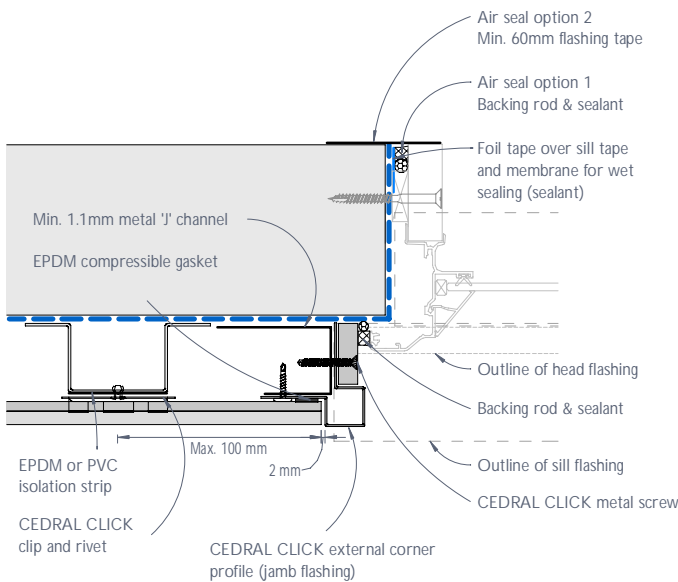


Figure 10: CEDRAL CLICK window jamb junction or the like - Recessed detail option 1

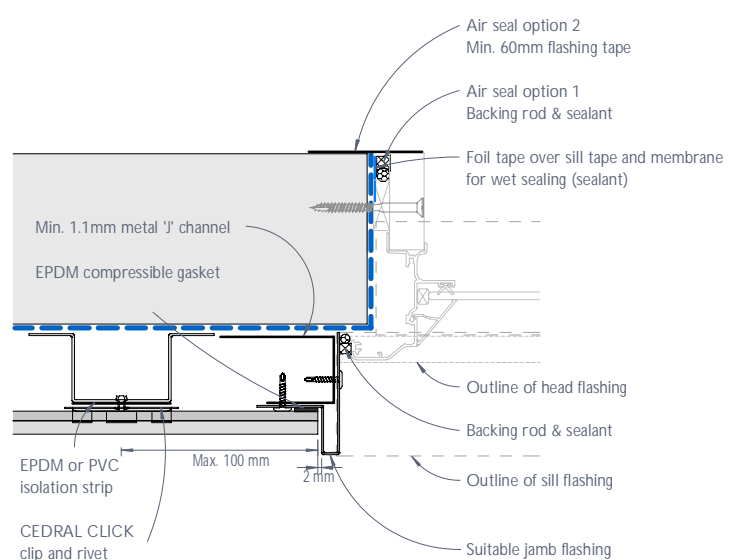


Figure 11: CEDRAL CLICK window jamb junction or the like - Recessed detail option 2

Notes

- 1) ONLY sealant compatible with the foil tape should be used. Should any sealant be intended to be used directly on the flashing and/or sill tape it must be confirmed with its manufacturer to ensure compatibility with these tapes in accordance with the relevant standards.
- 2) Corrosion resistant perforated angle shall be of max. thickness of 0.9mm where located between panel and support frame, and be of min. 50% open area.

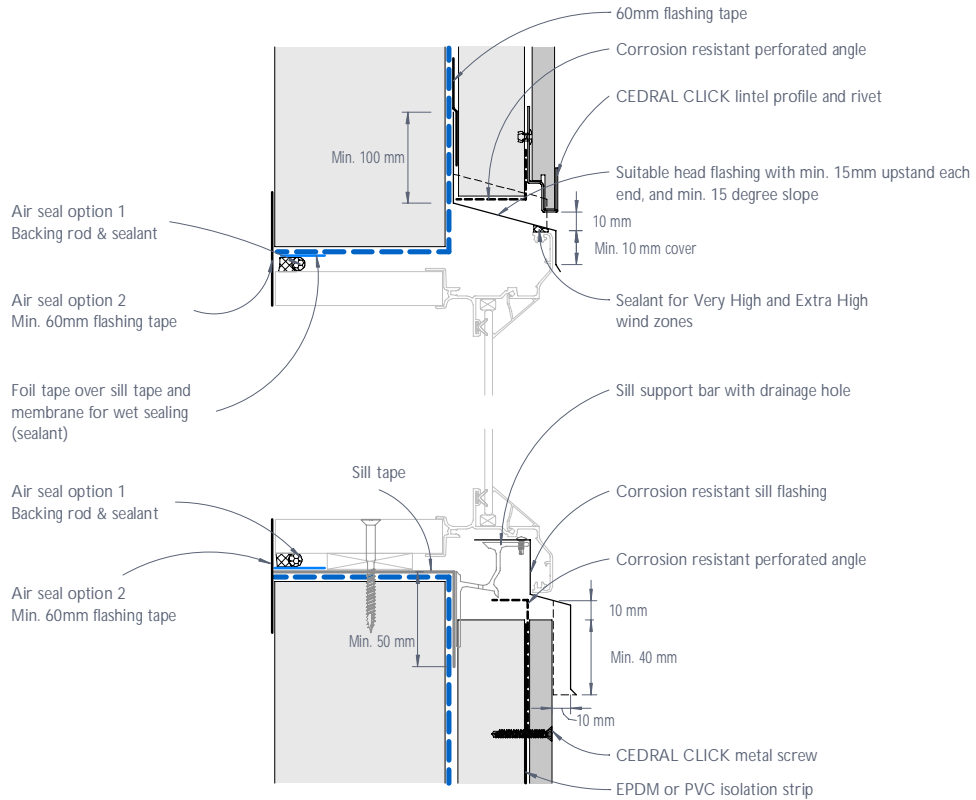


Figure 12: CEDRAL CLICK window head and sill junction - Flush detail

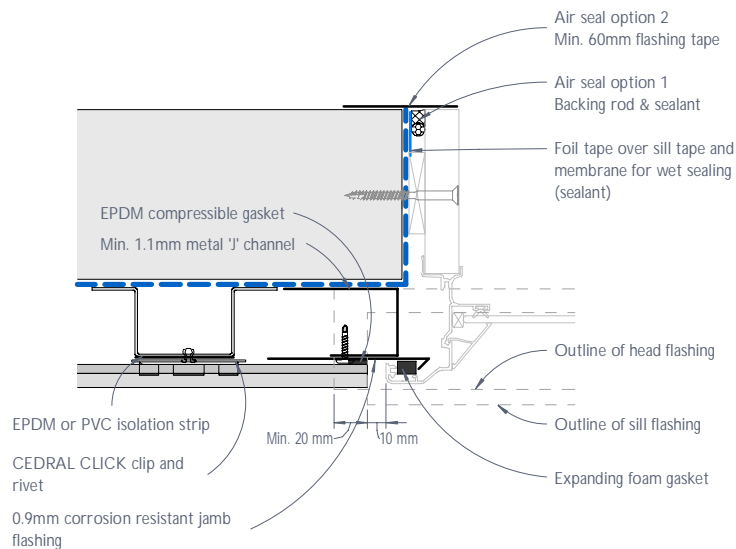


Figure 13: CEDRAL CLICK window jamb junction or the like - Flush detail

#### Notes

- 1) ONLY sealant compatible with the foil tape should be used. Should any sealant be intended to be used directly on the flashing and/or sill tape it must be confirmed with its manufacturer to ensure compatibility with these tapes in accordance with the relevant standards.
- 2) Corrosion resistant perforated angle shall be of max. thickness of 0.9mm where located between panel and support frame, and be of min. 50% open area.



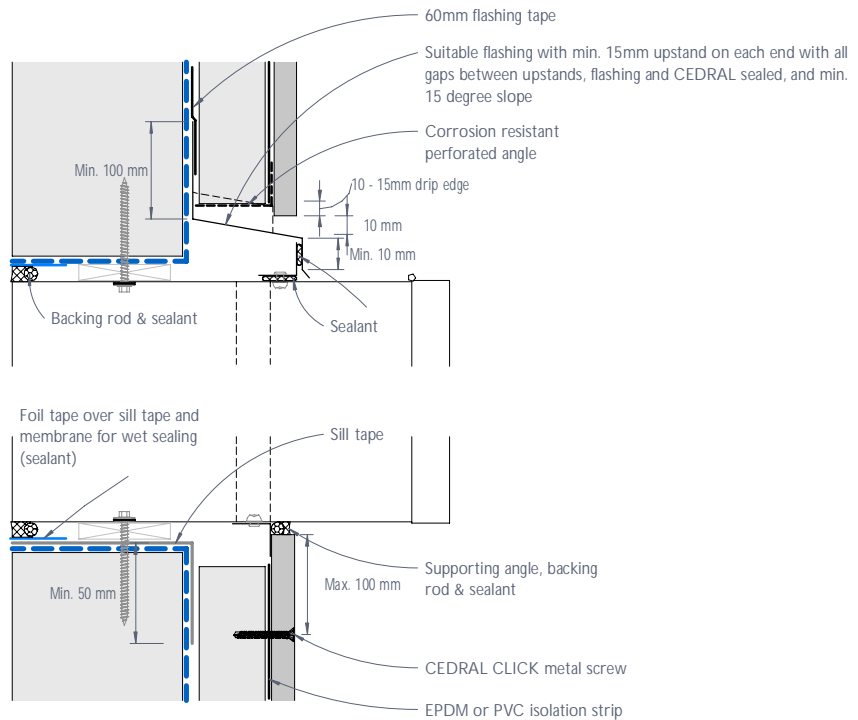


Figure 14: CEDRAL CLICK meter box junction - Section

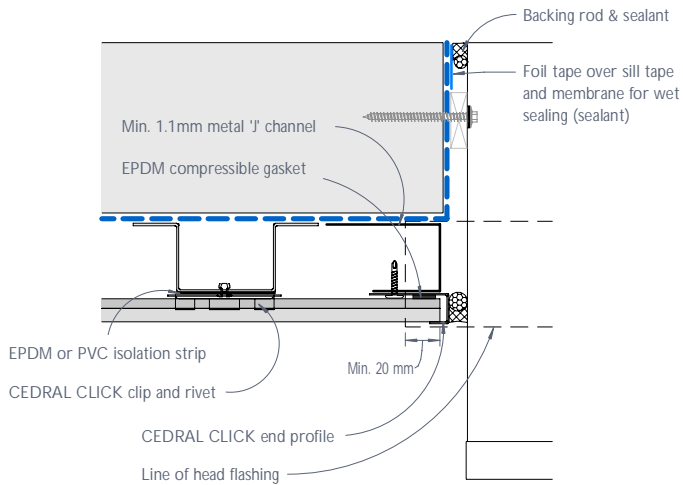


Figure 15: CEDRAL CLICK meter box junction Plan view - Option 1

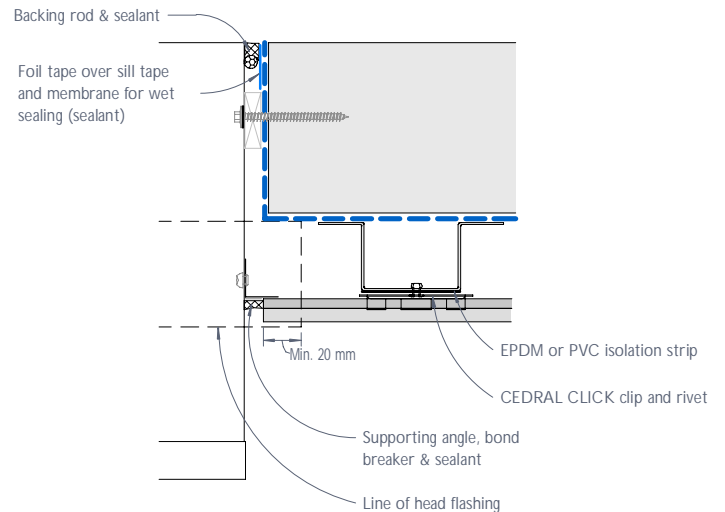


Figure 16: CEDRAL CLICK meter box junction Plan view - Option 2

Notes

- 1) ONLY sealant compatible with the foil tape should be used. Should any sealant be intended to be used directly on the flashing and/or sill tape it must be confirmed with its manufacturer to ensure compatibility with these tapes in accordance with the relevant standards.
- 2) Corrosion resistant perforated angle shall be of max. thickness of 0.9mm where located between panel and support frame, and be of min. 50% open area.

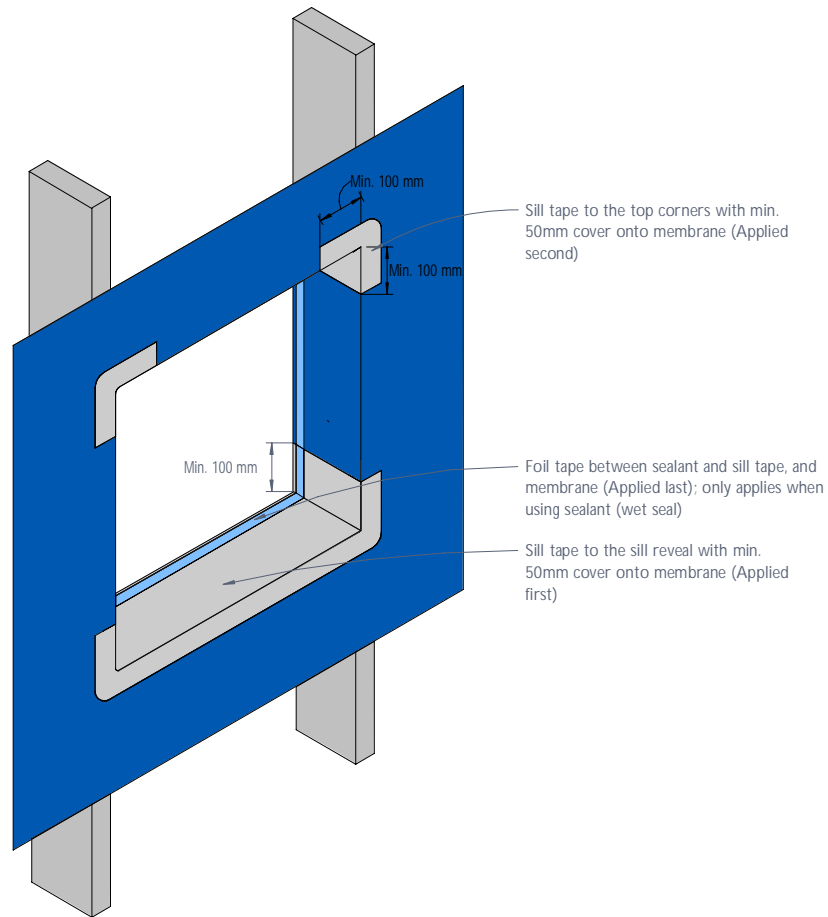


Figure 17: Isometric view of window/meter box opening - Tape application

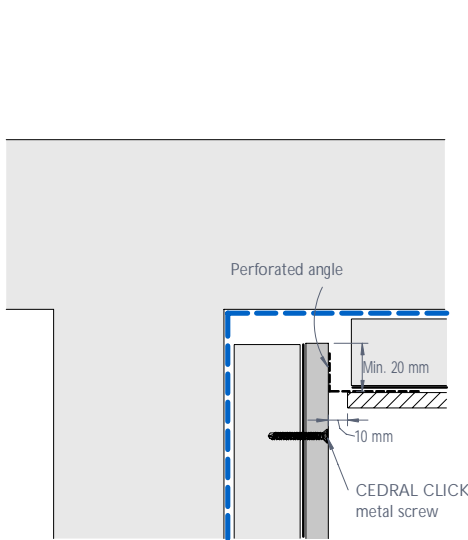


Figure 18: CEDRAL CLICK soffit junction

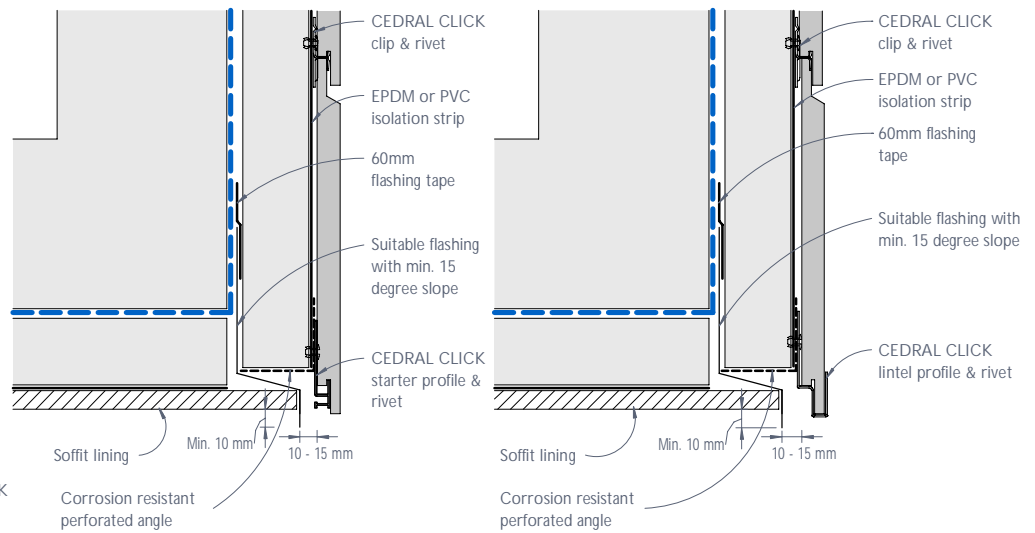


Figure 19: CEDRAL CLICK soffit junction with lintel profile

Notes

- 1) ONLY sealant compatible with the foil tape should be used. Should any sealant be intended to be used directly on the flashing and/or sill tape it must be confirmed with its manufacturer to ensure compatibility with these tapes in accordance with the relevant standards.
- 2) Support frame (battens) must NOT be fixed crossing over a control joint.
- 3) Corrosion resistant perforated angle shall be of max. thickness of 0.9mm where located between panel and support frame, and be of min. 50% open area.

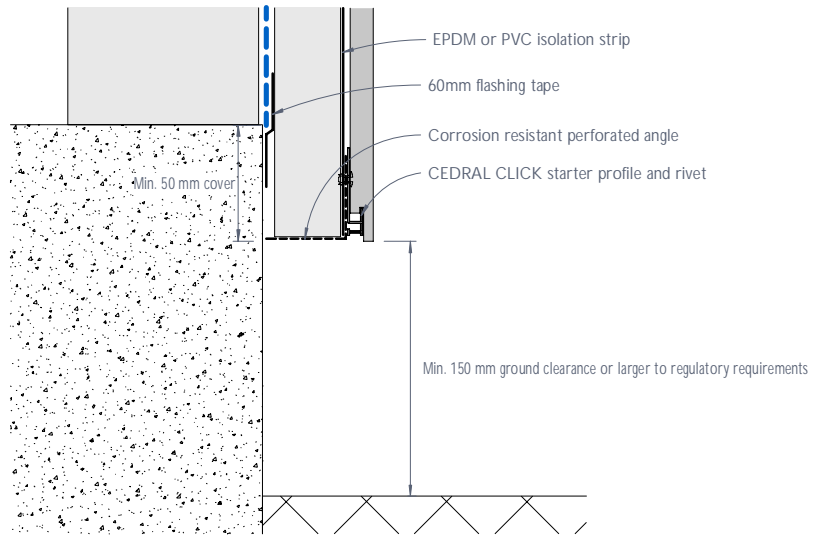


Figure 18: CEDRAL CLICK base detail

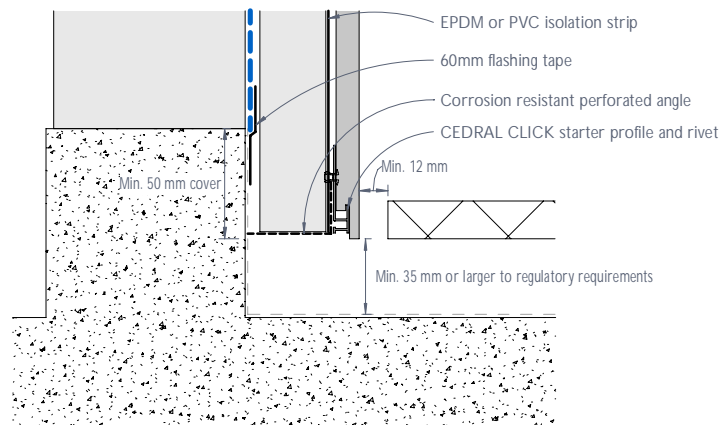


Figure 19: CEDRAL CLICK base detail - Covered area

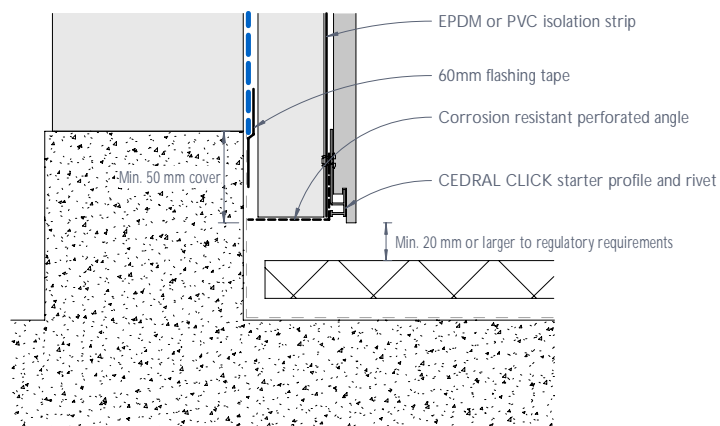


Figure 20: CEDRAL CLICK base detail - Balcony

#### Notes

- 1) Corrosion resistant perforated angle shall be of max. thickness of 0.9mm where located between panel and support frame, and be of min. 50% open area.
- 2) Refer to pro clima's application guide for the application of the flashing tape and any pre-treatment required on various substrates including concrete and masonry.

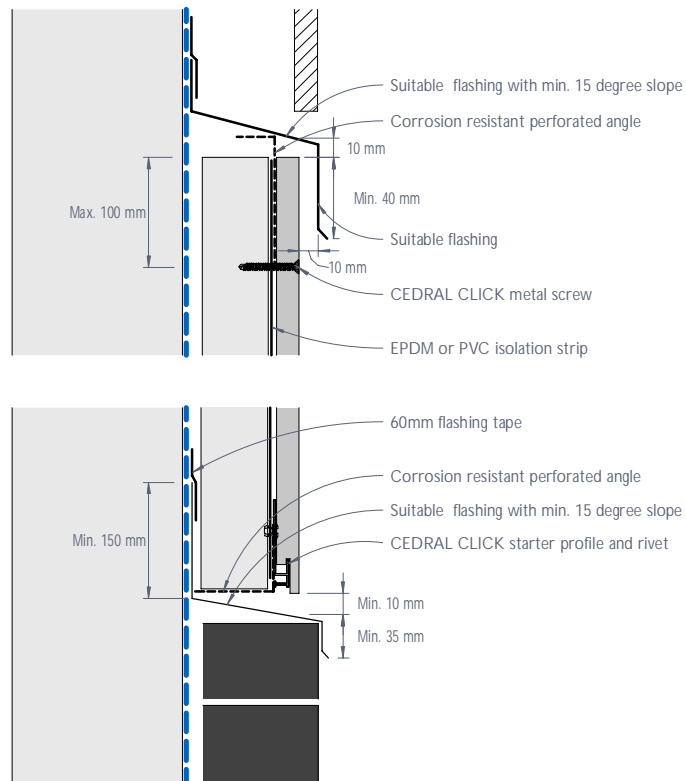


Figure 21: CEDRAL CLICK junction with other materials - Flush detail

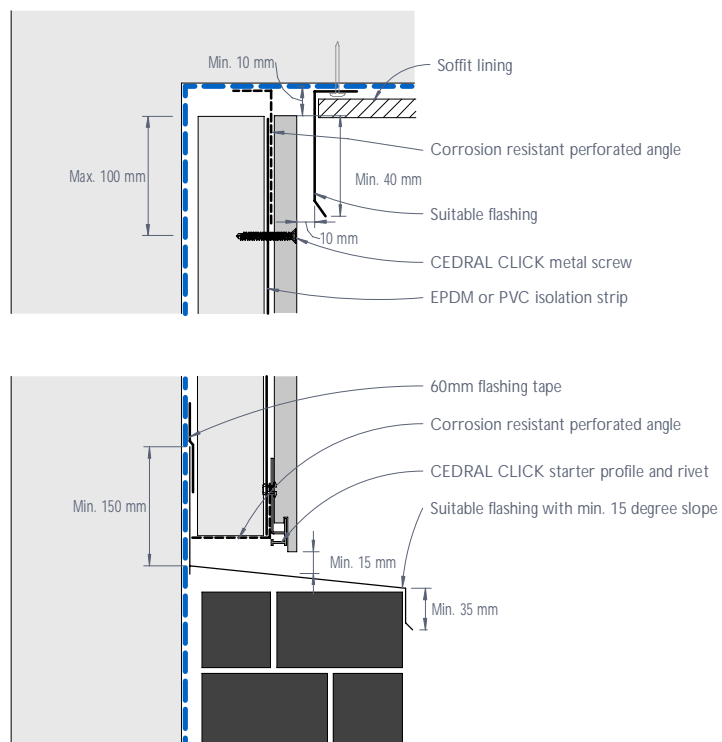


Figure 22: CEDRAL CLICK junction with other materials, eaves or the like - Recessed detail

Notes

- 1) Support frame (battens) must NOT be fixed crossing over a control joint.
- 2) Corrosion resistant perforated angle shall be of max. thickness of 0.9mm where located between panel and support frame, and be of min. 50% open area.

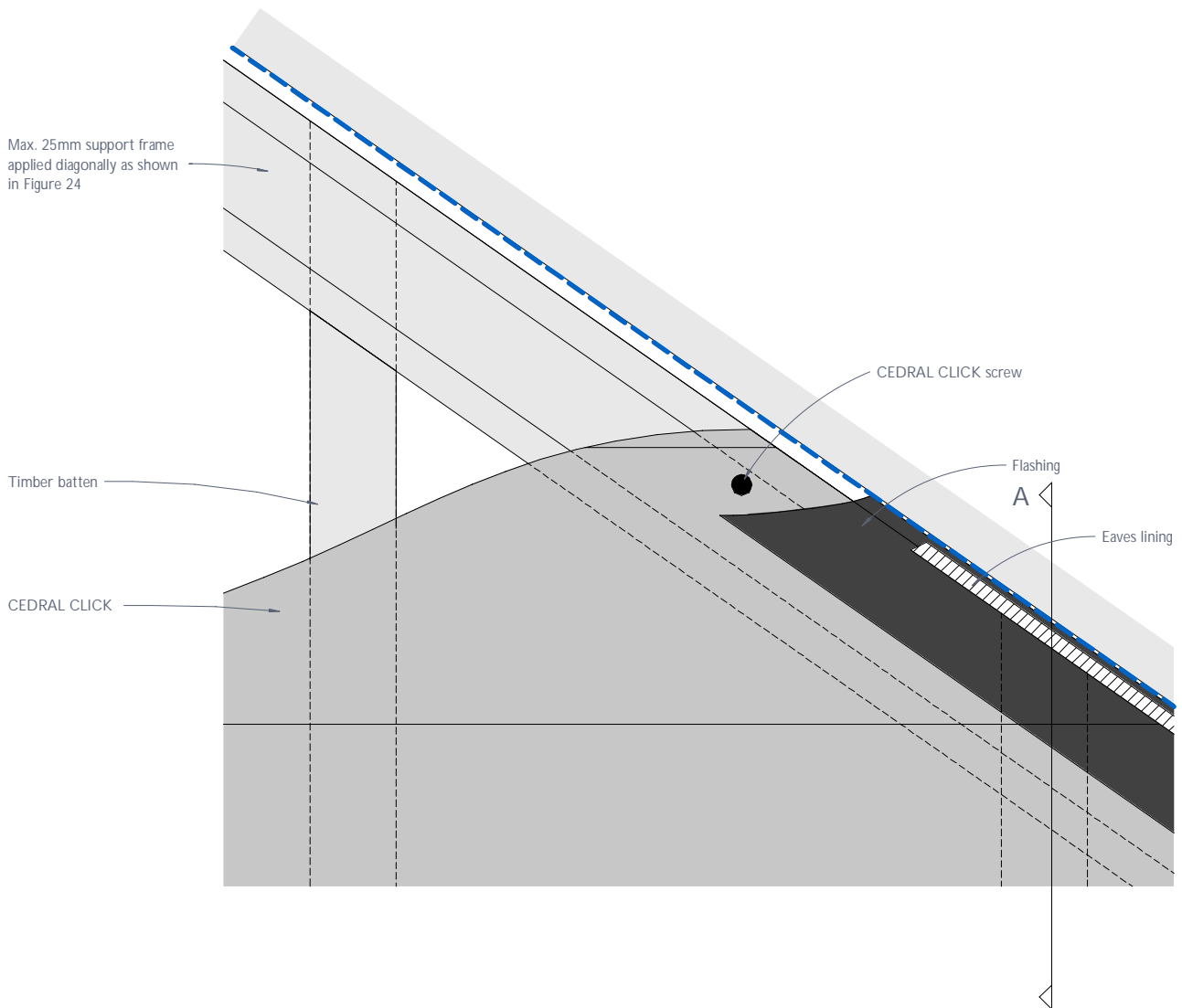


Figure 23: CEDRAL CLICK junction with angled eave - Elevation

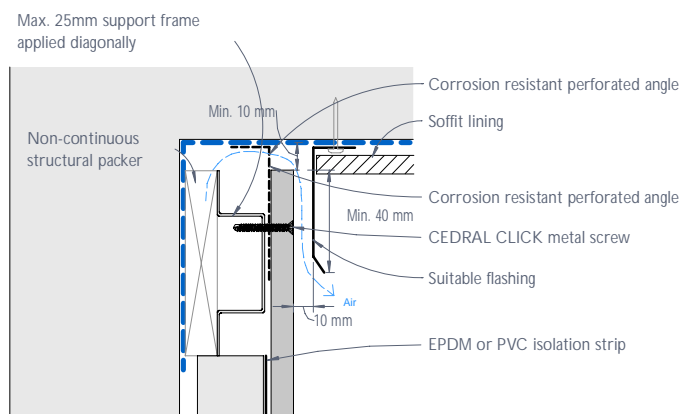


Figure 24: CEDRAL CLICK junction with angled eave - Section A

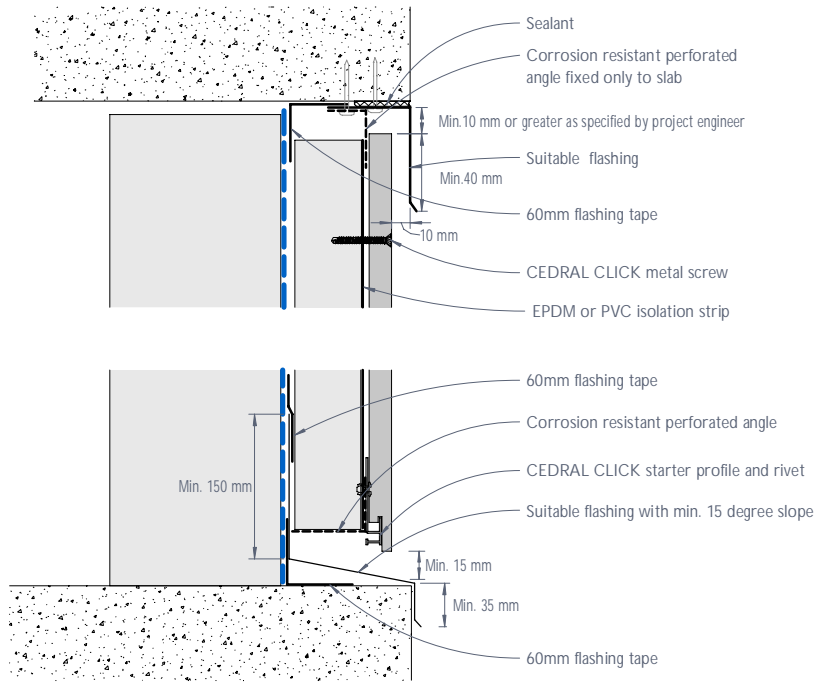


Figure 25: CEDRAL CLICK junction with exposed concrete slab or beam - Cladding flush

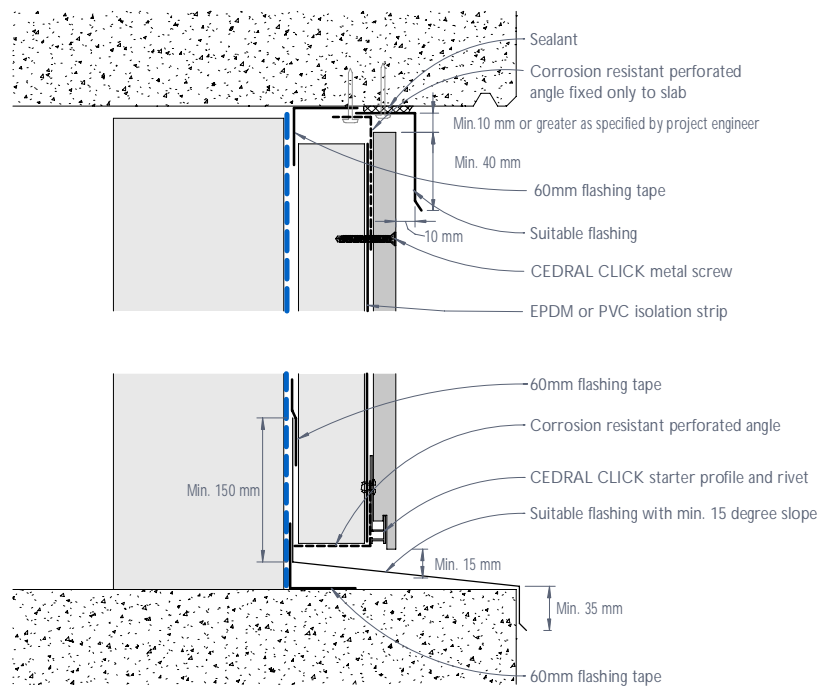


Figure 26: CEDRAL CLICK junction with exposed concrete slab or beam - Cladding recessed

#### Notes

- 1) Support frame (battens) must NOT be fixed crossing over a control joint.
- 2) Corrosion resistant perforated angle shall be of max. thickness of 0.9mm where located between panel and support frame, and be of min. 50% open area.
- 3) Refer to pro clima's application guide for the application of the flashing tape and any pre-treatment required on various substrates including concrete and masonry.

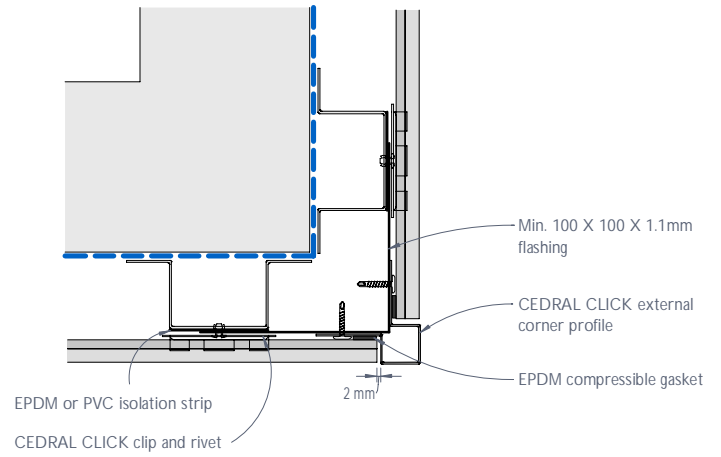


Figure 27: CEDRAL CLICK typical external corner

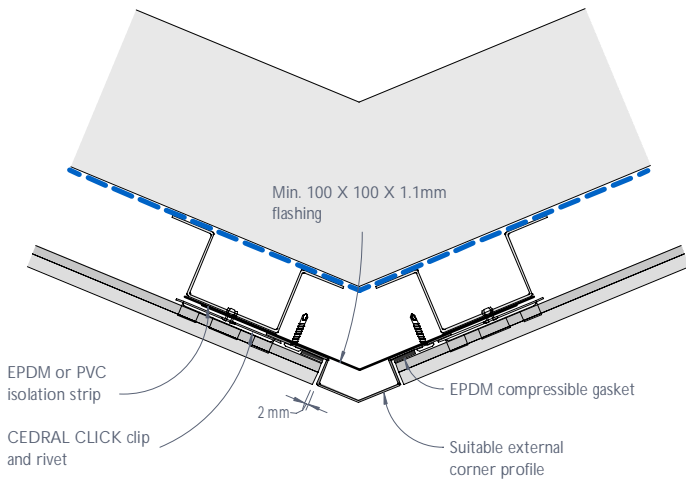


Figure 28: CEDRAL CLICK 45 degree external corner

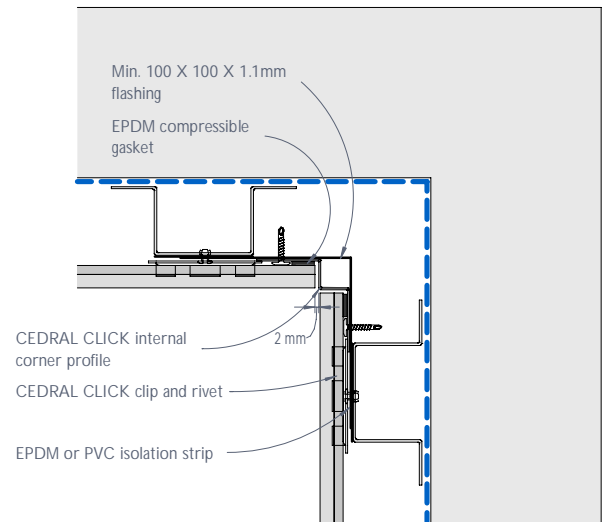


Figure 29: CEDRAL CLICK internal corner

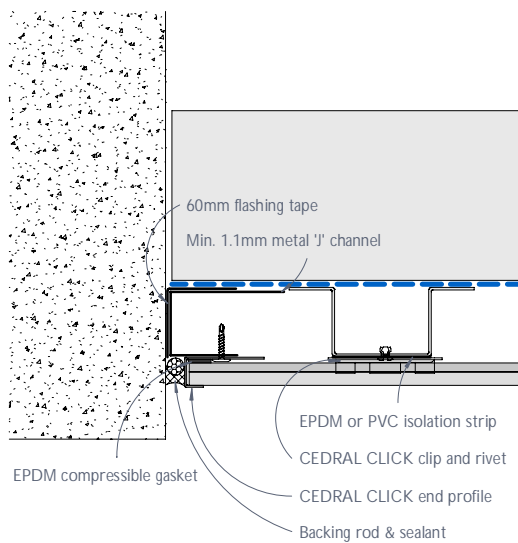


Figure 30: CEDRAL CLICK abutment detail

Note

Refer to pro clima's application guide for the application of the flashing tape and any pre-treatment required on various substrates including concrete and masonry.

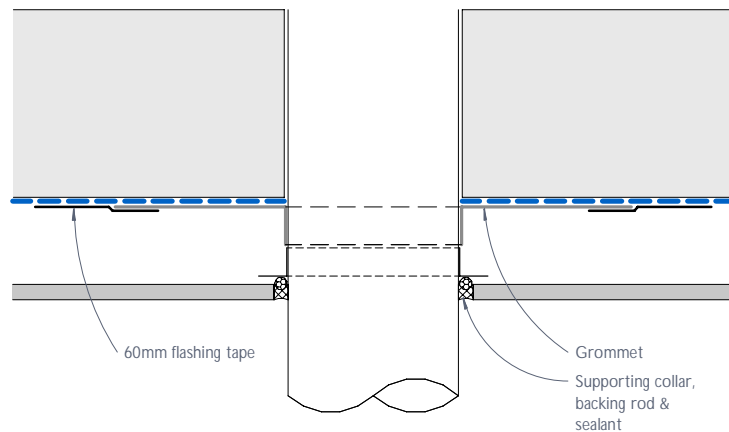


Figure 31: Pipe penetration - Plan view

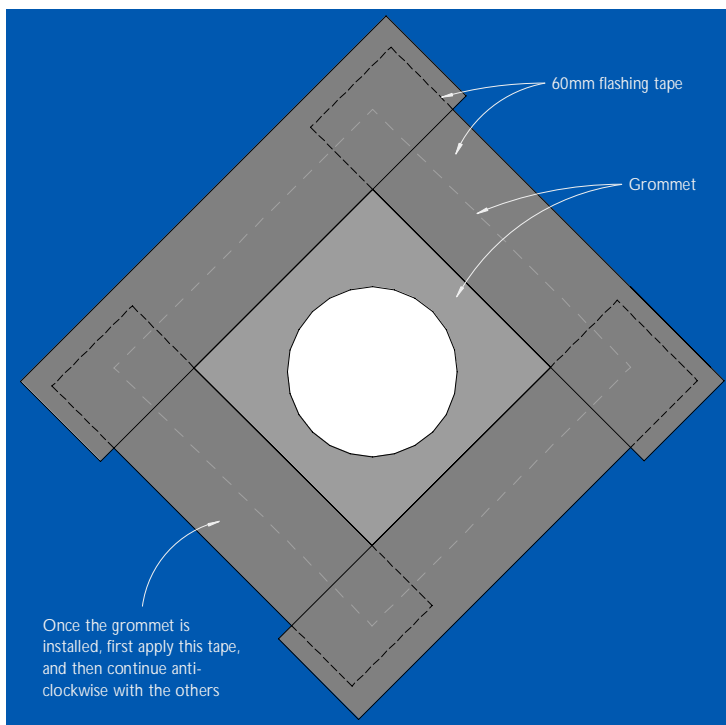


Figure 32: Pipe penetration - Elevation

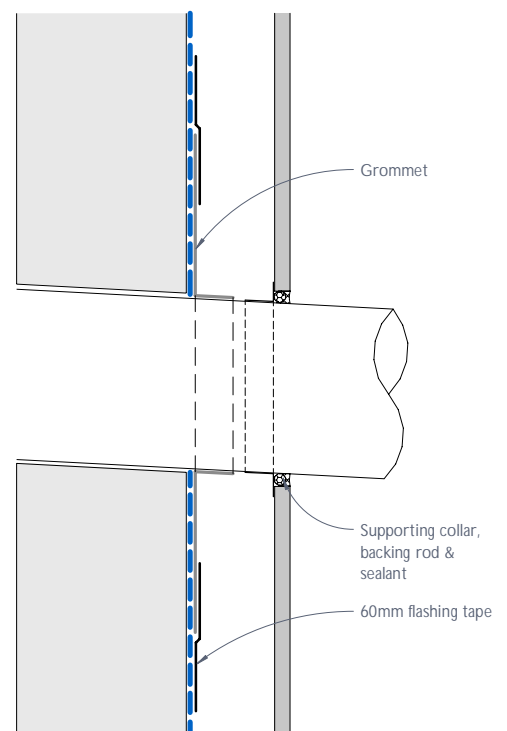


Figure 33: Pipe penetration - Section



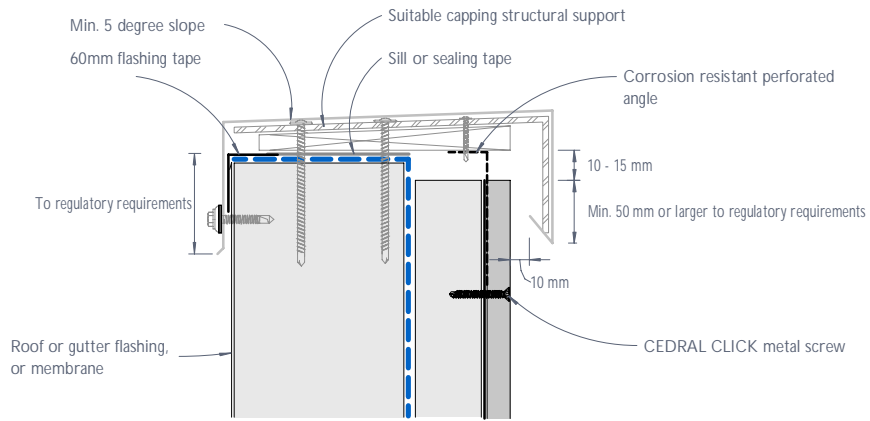


Figure 34: CEDRAL CLICK typical capping detail

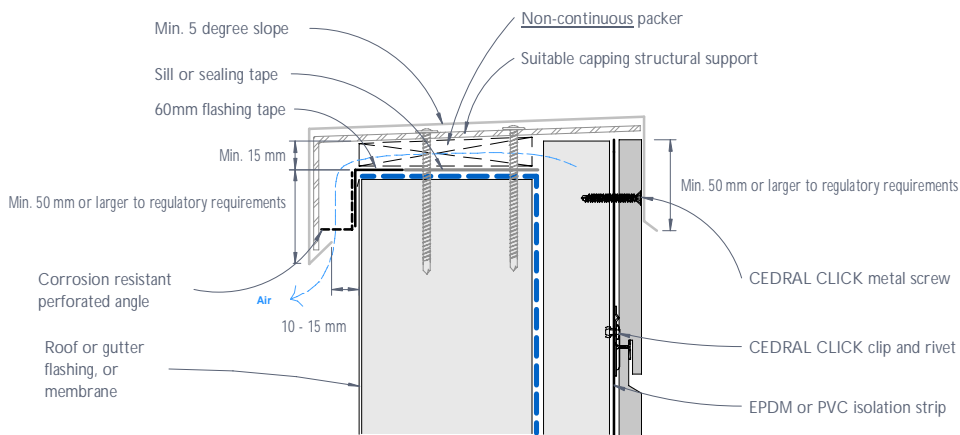


Figure 35: CEDRAL CLICK flush capping detail

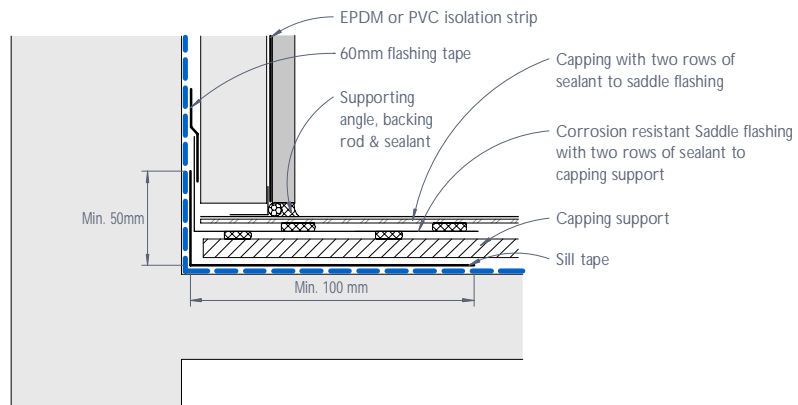


Figure 36: CEDRAL CLICK parapet junction - Section

Notes

- 1) Capping profiles are indicative and for illustration purposes.
- 2) Any face fixings of capping shall be through an over sized hole (by min 5mm) in the capping as well as the panel.
- 3) Capping shall be designed and engineered accordingly to provide adequate allowance for ventilation as shown in Figures 34 & 35.

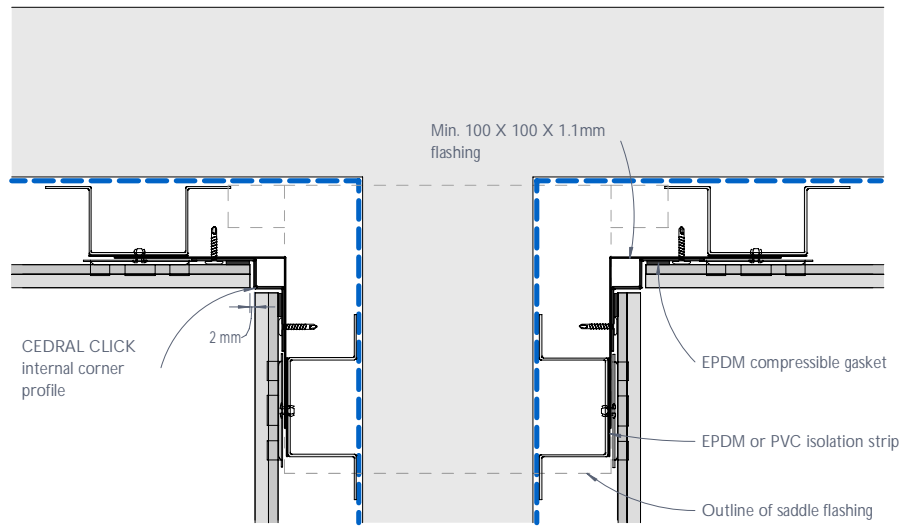


Figure 37: Parapet junction - Plan view

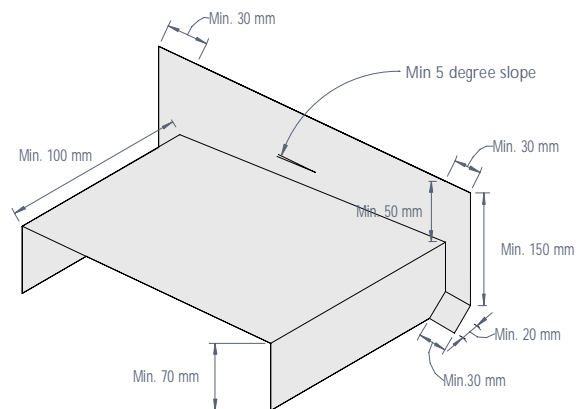


Figure 38: Corrosion resistant saddle flashing

# CEDRAL

**etex** inspiring ways  
of living

Etex Exteriors ANZ  
Suite 201  
198 Harbour Esplanade  
Docklands VIC 3008  
Australia

+61 (03) 9988 2290  
info.anz@cedral.world  
cedral.world