

PITERAK® XS



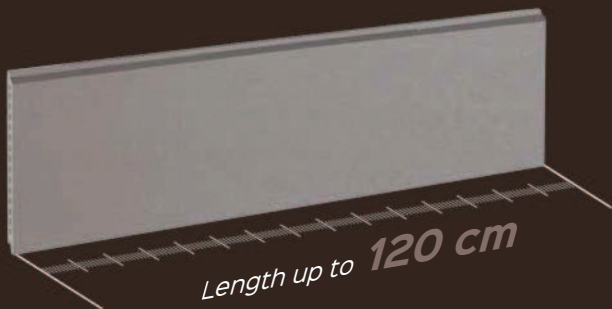
Piterak® XS is a cost-effective ventilated wall cladding product installed with clips fixed to vertical profiles. Its light weight allows for easy handling on site and reduced transportation costs. Aesthetical and modern, Piterak® XS is available up to 120cm-long.



— TORREJÓN HOSPITAL, SPAIN —

Architect : Argola Arquitectos
Product : Piterak® XS 03. Champagne

ADVANTAGES



- Cost-effective double skin cladding
- Incomparable lightness (30kg/m²)
- Optimisation of the transport cost (size and weight)
- Choice of installation: horizontal, vertical (with V-Clip® system, see p52)
- Simple and fast installation using clips

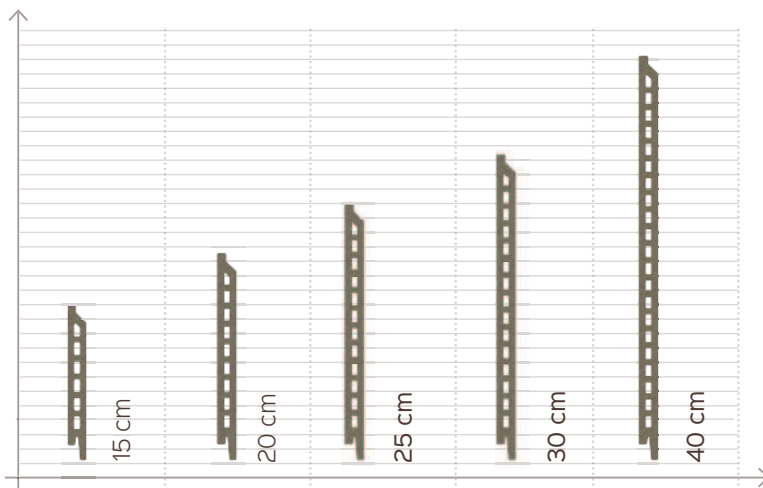
13 COLOURS



4 FINISHES



5 MODULES



All module heights and lengths are available in imperial dimensional products

CHARACTERISTICS



STANDARD SIZES AND PERFORMANCES

PRODUCT	MODULE H x L mm	DIMENSIONS H x L x Th mm	WEIGHT /U per Kg	WEIGHT /m ² per Kg	IMPACT RESISTANCE*	WIND RESISTANCE	
PITERAK® XS	15	150 x 1200	159 x 1200 x 18	5,5	30	-	-
	20	150 x 1200	209 x 1200 x 18	7,4	30	-	-
	25	250 x 1200	259 x 1200 x 18	9,2	30	Q3*	V3* (2059)
	30	300 X 1200	309 X 1200 X 18	11	30	Q3	V3* (1716 PA)
	40	400 X 1200	409 X 1200 X 18	14,8	30	Q3	V2* (1287 PA)

H = Height ; L = Length ; Th. = Thickness

* Maximum resistance reached with a reinforced installation (reinforcement with intermediate profile)

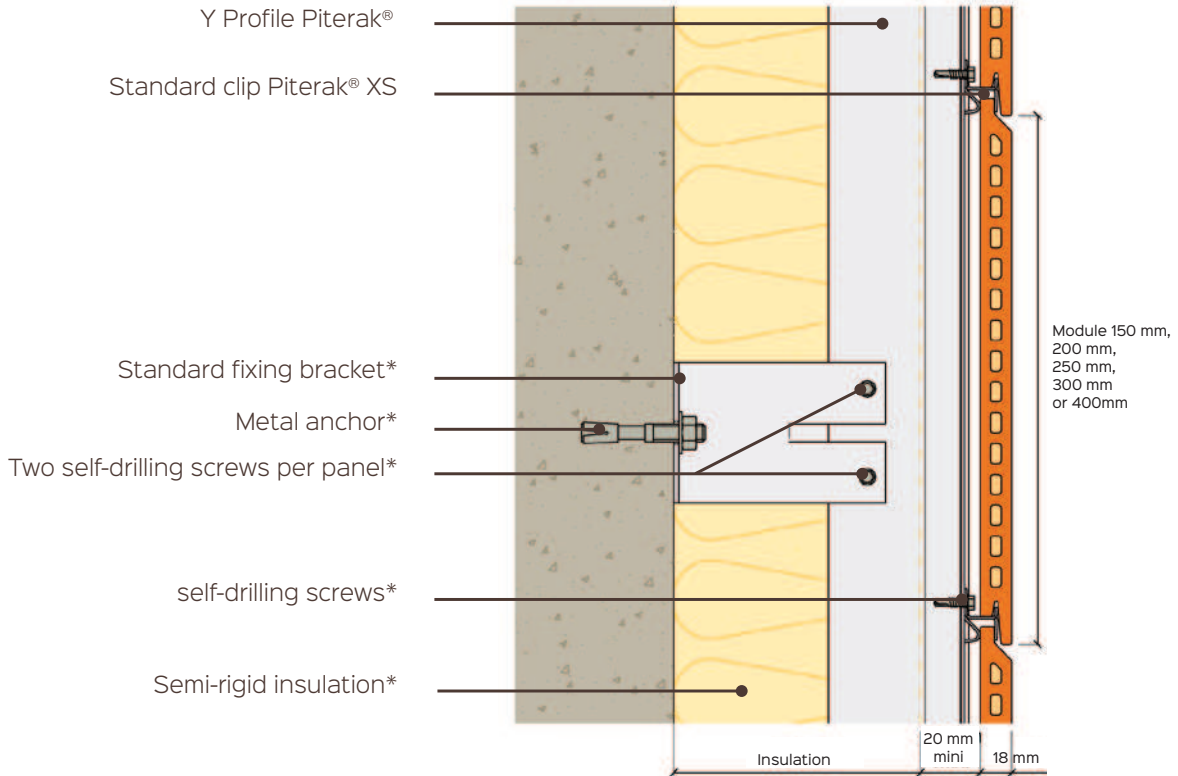
All Module Heights and Lengths are available in Imperial Dimensional Products

INSTALLATION PROPERTIES

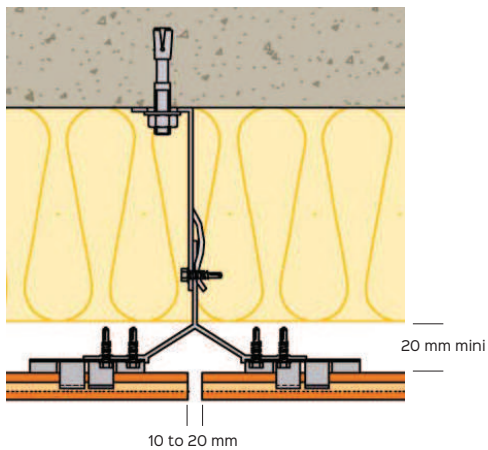
- **Substrate type** : Concrete wall, coated masonry, and framed walls
- **Primary framework** : Metal
- **Panels installed with clips** on a metal vertical framework fixed to the wall.
- **The vertical uprights are aligned with the open joints.** Their shape drains rainwater in order to protect both the wall and the insulation.
- **Air gap for ventilation** : minimum 20mm.
- **45° mitre cut** available from factory.
- **Frost resistance** : Complies with standard NF EN 539-2.
- **Worldwide compliance and testing certificates** have been achieved



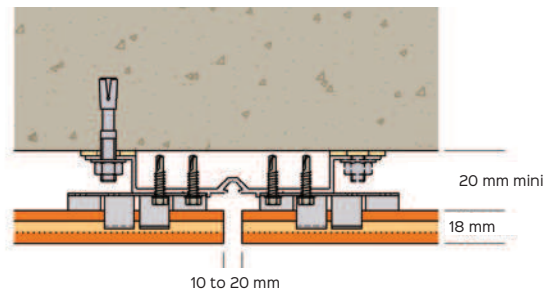
STANDARD INSTALLATION DETAILS



STANDARD FIT



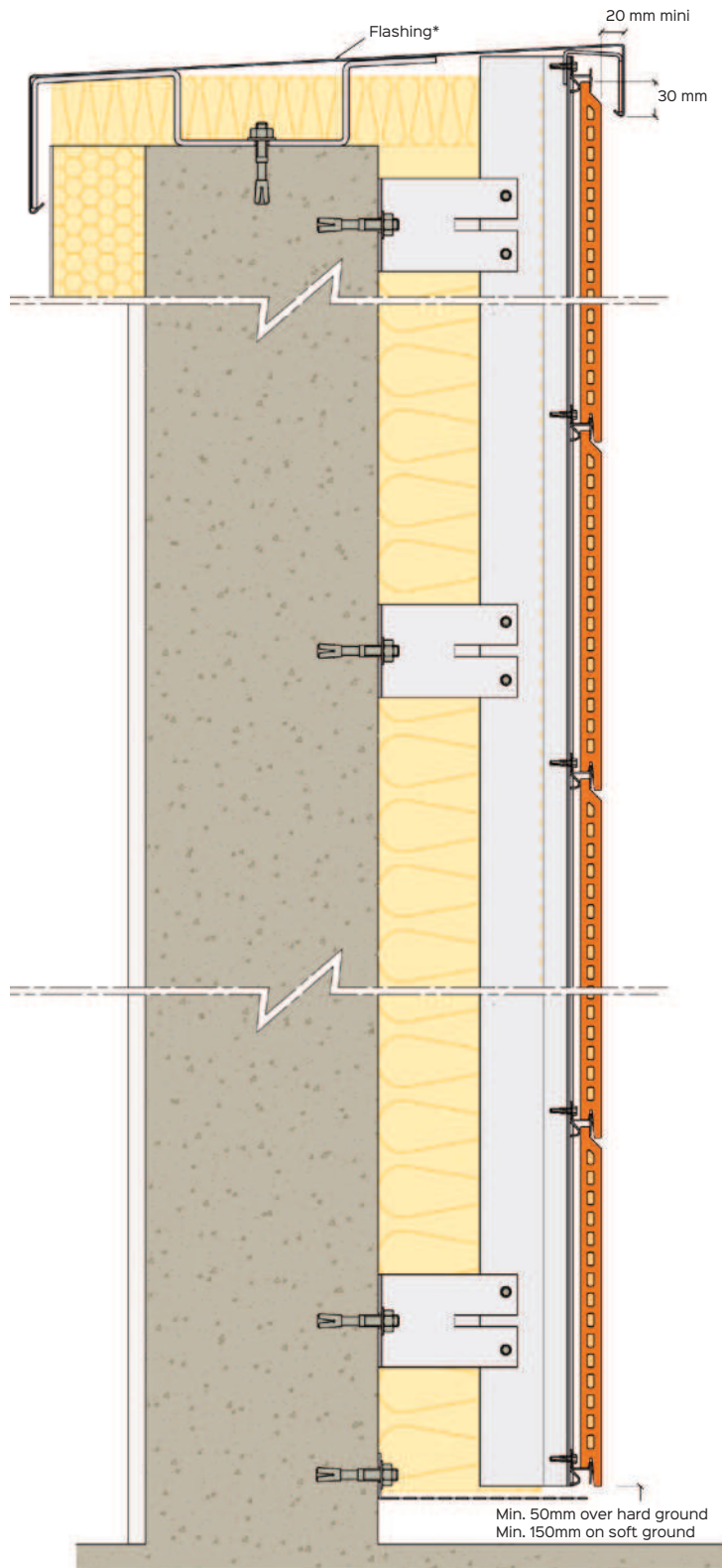
DIRECT FIT



* Not furnished by Terreal



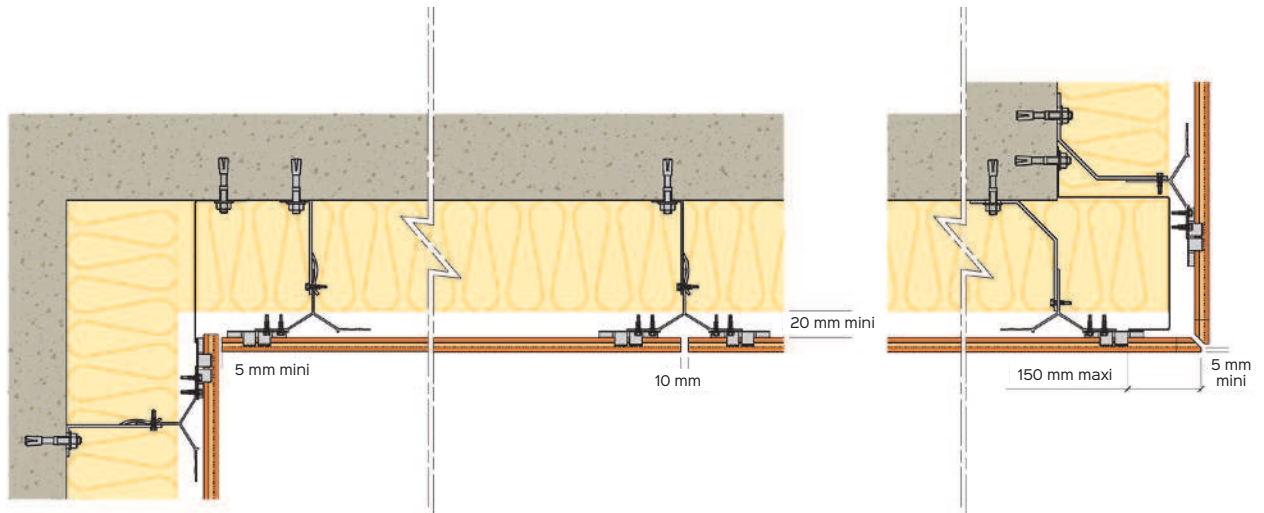
DETAIL :
WALL BASE AND PARAPET



*Not furnished by Terreal



DETAIL : CORNERS

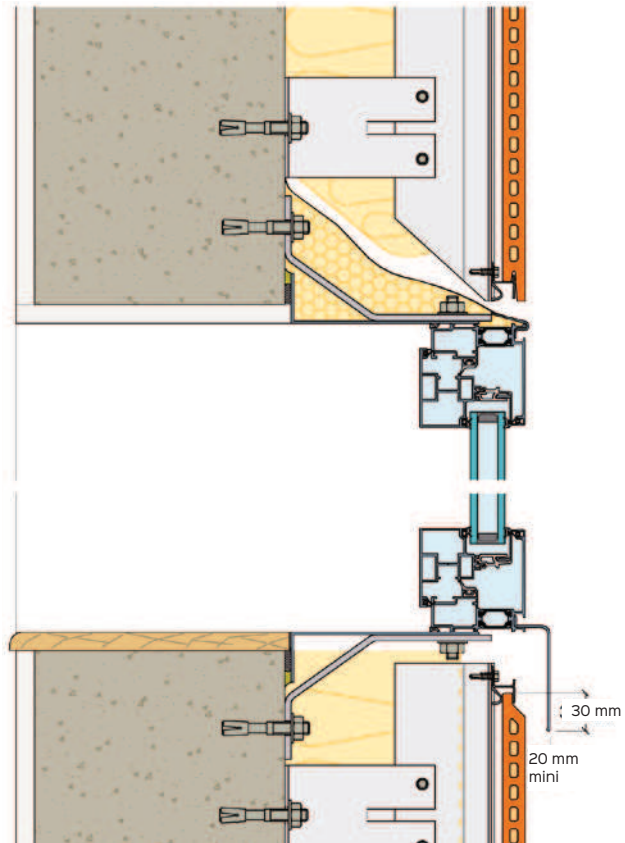




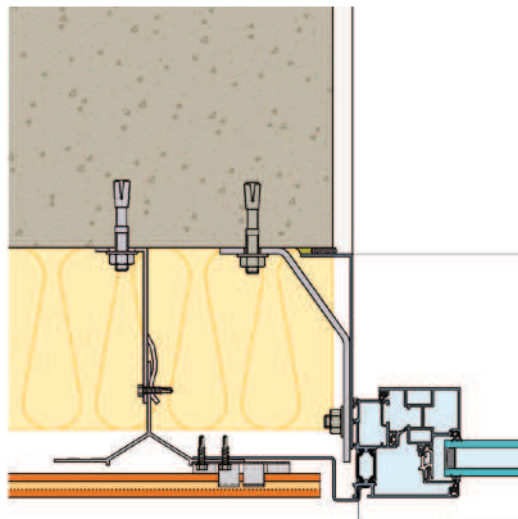
DETAIL :
**WINDOW FRAME FLUSH
WITH OUTSIDE WALL**



Lintel



Window sill



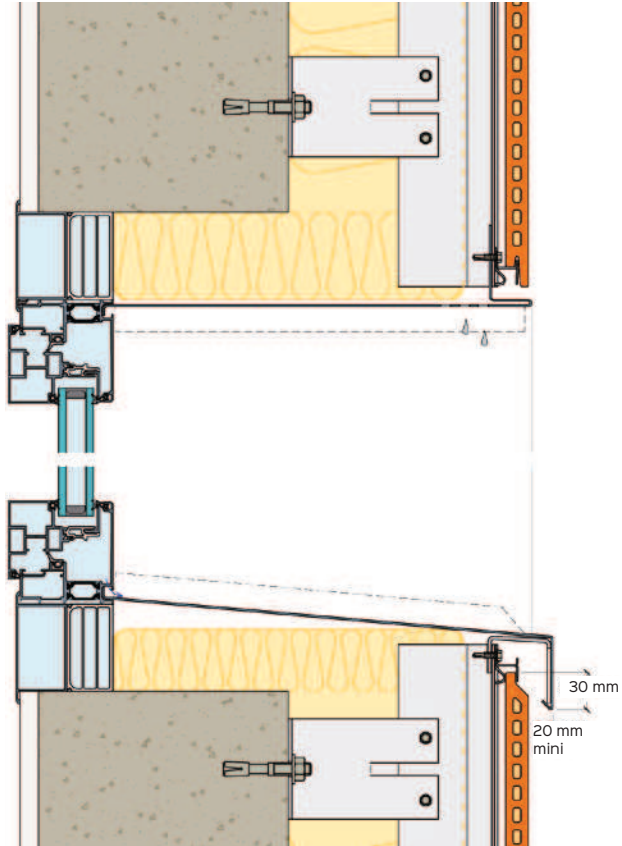
Jambs



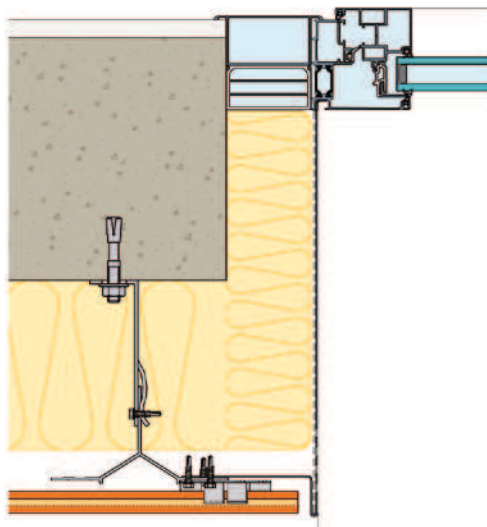
DETAIL :
**WINDOW FRAME FLUSH
WITH INSIDE WALL**



Lintel



Window sill



Jambs